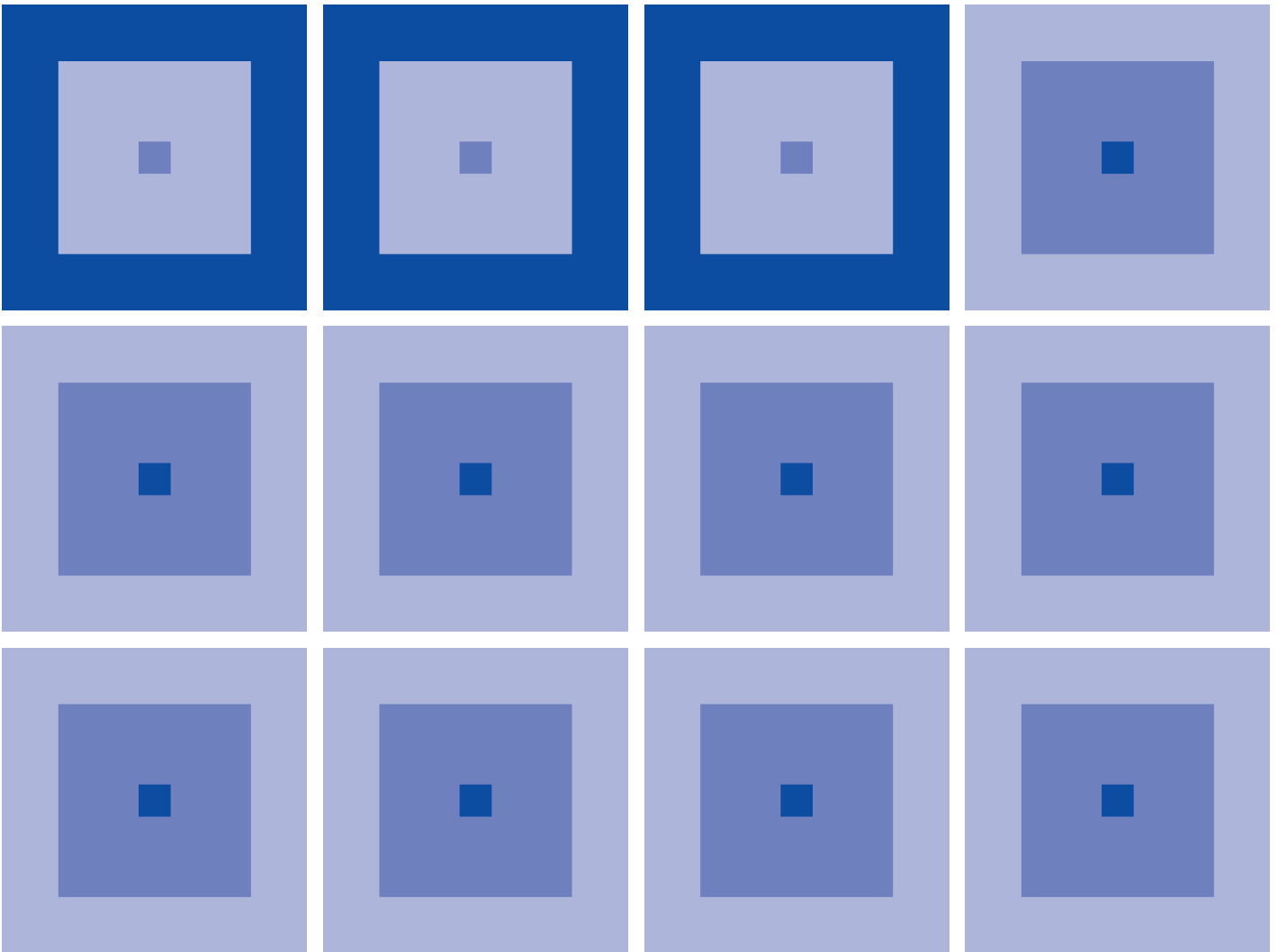


IEEE1394 Controller

S1R72900F00A

Technical Manual



NOTICE

No parts of this material may be reproduced or duplicated in any form or by any means without the written permission of Seiko Epson. Seiko Epson reserves the right to make changes to this material without notice. Seiko Epson does not assume any liability of any kind arising out of any inaccuracies contained in this material or due to its application or use in any product or circuit and, further, there is no representation that this material is applicable to products requiring high level reliability, such as, medical products. Moreover, no license to any intellectual property rights is granted by implication or otherwise, and there is no representation or warranty that anything made in accordance with this material will be free from any patent or copyright infringement of a third party. This material or portions thereof may contain technology or the subject relating to strategic products under the control of the Foreign Exchange and Foreign Trade Law of Japan and may require an export licence from the Ministry of International Trade and Industry or other approval from another government agency.

© SEIKO EPSON CORPORATION 2001, All rights reserved.

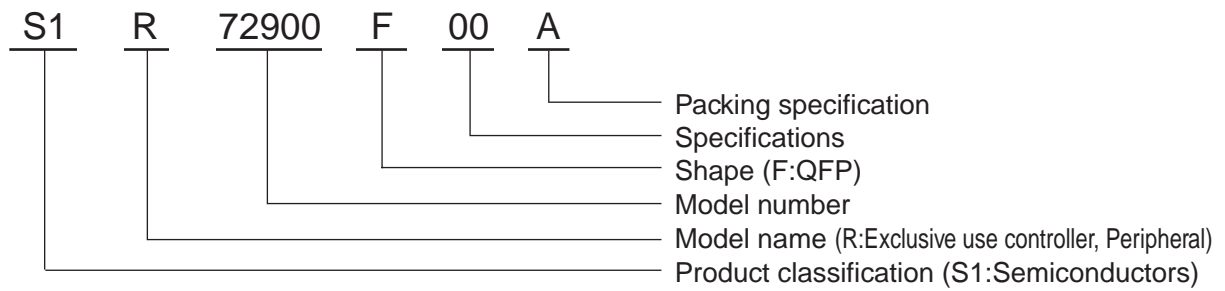
All other product names mentioned herein are trademarks and/or registered trademarks of their respective companies.

The information of the product number change

Starting April 1, 2001 the product number has been changed as listed below. Please use the new product number when you place an order. For further information, please contact Epson sales representative.

Configuration of product number

●DEVICES



Contents

1. DESCRIPTION	1
2. FEATURES	1
3. BLOCK DIAGRAM	2
4. PIN LAYOUT	3
5. PIN ASSIGNMENT TABLE	4
6. PIN DESCRIPTION	7
7. FUNCTIONAL DESCRIPTION	9
7.1 Control Register	9
7.2 Data Format	24
7.3 Cable Port Interface	27
7.4 Link Layer Controller Interface	30
7.5 Oscillating Circuit	42
7.6 Power Down	42
8. ELECTRICAL CHARACTERISTICS	43
8.1 Absolute Maximum Ratings	43
8.2 Recommended Operating Conditions	43
8.3 DC Characteristics	44
8.4 AC Characteristics	47
9. EXAMPLE OF EXTERNAL CONNECTION	49
10. OUTLINE DIMENSIONS	50

1. DESCRIPTION

The SIR72900F00A is a physical layer IC compliant with the IEEE 1394-1995 and IEEE 1394a-2000 standards.

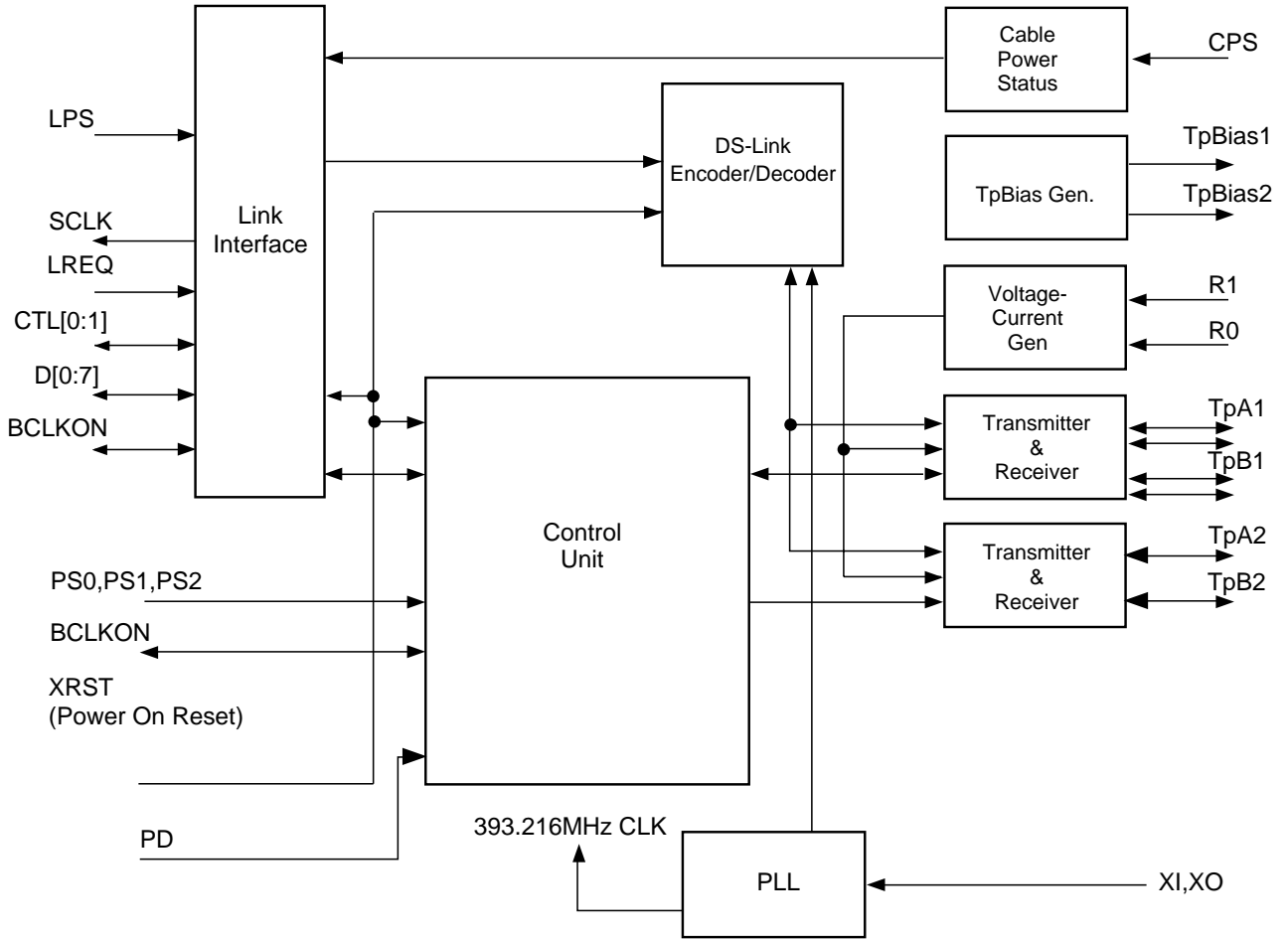
With the two 1394 ports, the SIR72900F00A supports transmission speeds of 400/200/100 Mbit/sec. The product incorporates a 400-MHz PLL, reference voltage generating circuit, high-speed transceiver, LINK layer interface, and a state machine circuit for bus initialization and arbitration.

2. FEATURES

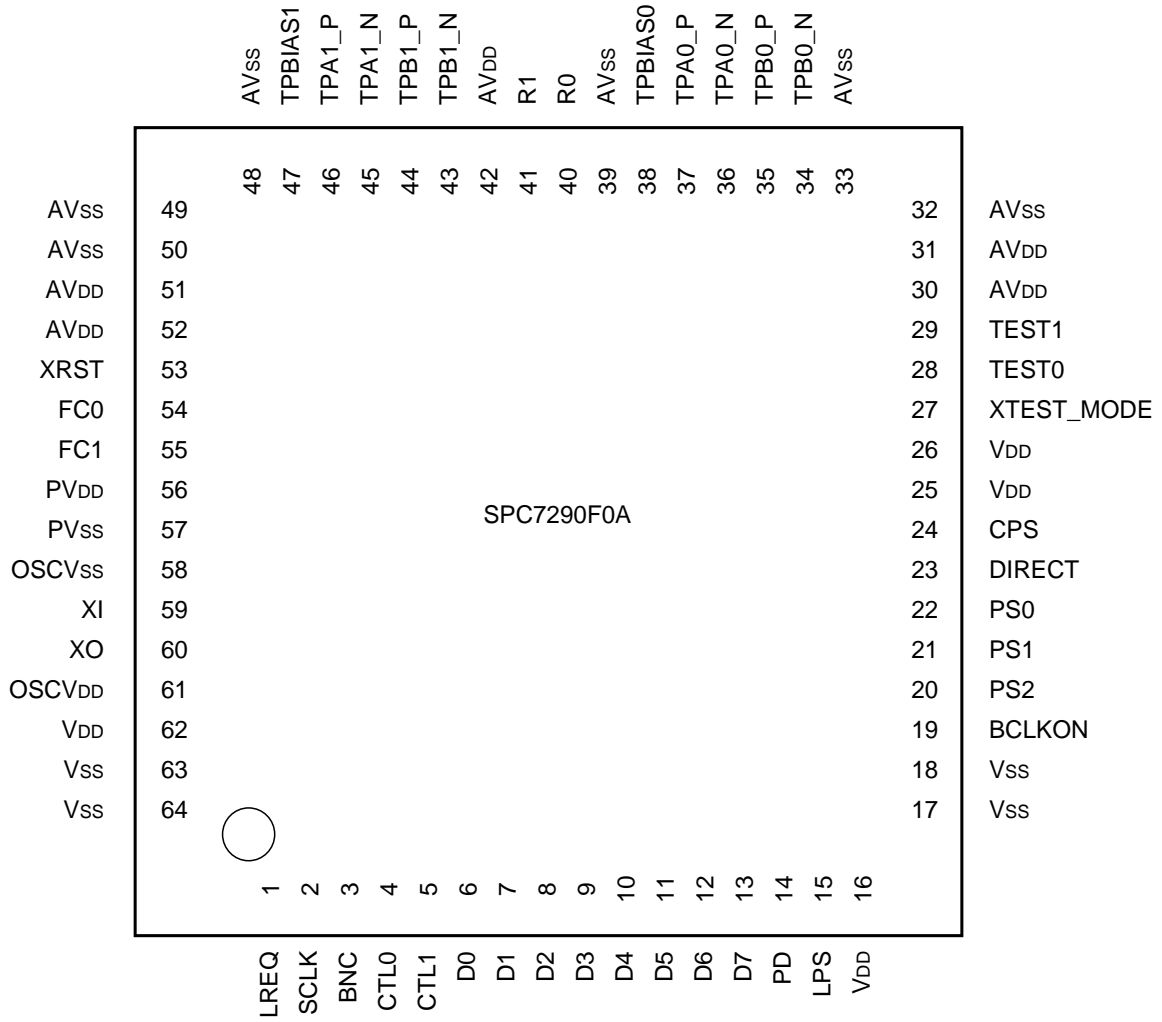
- Complies with the IEEE 1394-1995 and IEEE 1394a-2000 standards.
- Supports transmission speeds of S400 (393.216 Mbit/sec), S200 (196.608 Mbit/sec), and S100 (98.304 Mbit/sec).
- Incorporates a 400-MHz PLL for transmission at S400/S200/S100 and 50-MHz SCLK output.
- Offers independent TpBias output for each port.
- Supports the Cable Power Status function that detects a cable power drop.
- Supports DC and AC connections of the PHY/LINK interface.
- Built-in oscillating circuit
- High-accuracy, low-amplitude differential high-speed transceiver
- Bus initialization, arbitration, port connection, and control state machine circuits
- PHY/LINK interface circuit
- High-speed DS encoder
- Supports the short bus reset function at detection of LINK layer IC power-off.
- Single 3.3-V power supply
- 64-Pin Plastic QFP
- Designed with the low-power CMOS technology.

* This product is not radioresistant.

3. BLOCK DIAGRAM



4. PIN LAYOUT



5. PIN ASSIGNMENT TABLE

The items listed on the pin assignment table are as follows:

PIN No.	Pin number
PIN NAME	Pin name of the SIR72900F00A
POWER PLANE	Supply voltage for each I/O cell V _{DD} : 3.3-V power supply for the digital circuit A _{VDD} : 3.3-V power supply for the analog circuit P _{VDD} : 3.3-V power supply for the PLL circuit O _{SCVDD} : 3.3-V power supply for the oscillating circuit
I/O ATTR	Type of I/O cells I : Input pin O : Output pin I/O : Input/output pin P : Power pin
DRIVE	Drivability of output pins
TERM	Resistance of the pull-up or pull-down resistor provided on the pin

PIN No.	PIN NAME	POWER PLANE	I/O ATTR	DRIVE(mA)		TERM(Ω)
				3.3V		3.3V
				IOL	IOH	
1	LREQ	VDD	I	-	-	-
2	SCLK	VDD	O	-6	6	-
3	BNC	VDD	O	-2	2	-
4	CTL0	VDD	I/O	-6	6	-
5	CTL1	VDD	I/O	-6	6	-
6	D0	VDD	I/O	-6	6	-
7	D1	VDD	I/O	-6	6	-
8	D2	VDD	I/O	-6	6	-
9	D3	VDD	I/O	-6	6	-
10	D4	VDD	I/O	-6	6	-
11	D5	VDD	I/O	-6	6	-
12	D6	VDD	I/O	-6	6	-
13	D7	VDD	I/O	-6	6	-
14	PD	VDD	I	-	-	-
15	LPS	VDD	I	-	-	-
16	VDD	VDD	-	-	-	-
17	VSS	VSS	-	-	-	-
18	VSS	VSS	-	-	-	-
19	BCLKON	VDD	I/O	-6	6	-
20	PS2	VDD	I	-	-	-
21	PS1	VDD	I	-	-	-
22	PS0	VDD	I	-	-	-
23	DIRECT	VDD	I	-	-	-
24	CPS	VDD	I	-	-	-
25	VDD	VDD	-	-	-	-
26	VDD	VDD	-	-	-	-
27	XTEST_MODE	VDD	I	-	-	-
28	TEST0	VDD	I	-	-	-
29	TEST1	VDD	I	-	-	-
30	AVDD	AVDD	-	-	-	-
31	AVDD	AVDD	-	-	-	-
32	AVSS	AVSS	-	-	-	-
33	AVSS	AVSS	-	-	-	-
34	TPB0_N	AVDD	I/O	-	-	-
35	TPB0_P	AVDD	I/O	-	-	-
36	TPA0_N	AVDD	I/O	-	-	-
37	TPA0_P	AVDD	I/O	-	-	-
38	TPBIAS0	AVDD	O	-	-	-
39	AVSS	AVSS	-	-	-	-
40	R0	AVDD	O	-	-	-
41	R1	AVDD	O	-	-	-
42	AVDD	AVDD	-	-	-	-
43	TPB1_N	AVDD	I/O	-	-	-
44	TPB1_P	AVDD	I/O	-	-	-
45	TPA1_N	AVDD	I/O	-	-	-
46	TPA1_P	AVDD	I/O	-	-	-
47	TPBIAS1	AVDD	O	-	-	-
48	AVSS	AVSS	-	-	-	-

PIN No.	PIN NAME	POWER PLANE	I/O ATTR	DRIVE(mA)		TERM(Ω)
				3.3V		3.3V
				IOL	IOH	
49	AVSS	AVSS	-	-	-	-
50	AVSS	AVSS	-	-	-	-
51	AVDD	AVDD	-	-	-	-
52	AVDD	AVDD	-	-	-	-
53	XRST	VDD	I	-	-	100
54	FC0	PVDD	-	-	-	-
55	FC1	PVDD	-	-	-	-
56	PVDD	PVDD	-	-	-	-
57	PVSS	PVSS	-	-	-	-
58	OSCVSS	OSCVSS	-	-	-	-
59	XI	OSCVDD	I	-	-	-
60	XO	OSCVDD	O	-	-	-
61	OSCVDD	OSCVDD	-	-	-	-
62	VDD	VDD	-	-	-	-
63	VSS	VSS	-	-	-	-
64	VSS	VSS	-	-	-	-

6. PIN DESCRIPTION

Pin name	Function	Pin No.	Pin typ.	I/O
AVDD	Analog circuit power supply pin	30,31,42,51,52	Supply	–
AVSS	Analog circuit ground pin	32,33,39,48,49,50	Supply	–
PVDD	PLL circuit power supply pin	56	Supply	–
PVSS	PLL circuit ground pin	57	Supply	–
VDD	Digital circuit power supply pin	16,25,26,62	Supply	–
VSS	Digital circuit ground pin	17,18,63,64	Supply	–
OSCVDD	Oscillating circuit power supply pin	61	Supply	–
OSCVSS	Oscillating circuit ground pin	58	Supply	–
TPA0_P	Port 0, TPA+ I/O signal	37	Differential	I/O
TPA0_N	Port 0, TPA– I/O signal	36	Differential	I/O
TPB0_P	Port 0, TPB+ I/O signal	35	Differential	I/O
TPB0_N	Port 0, TPB– I/O signal	34	Differential	I/O
TPBIAS0	Port 0, TP bias voltage supply pin	38	Supply	O
TPA1_P	Port 1, TPA+ I/O signal	46	Differential	I/O
TPA1_N	Port 1, TPA– I/O signal	45	Differential	I/O
TPB1_P	Port 1, TPB+ I/O signal	44	Differential	I/O
TPB1_N	Port 1, TPB– I/O signal	43	Differential	I/O
TPBIAS1	Port 1, TP bias voltage supply pin	47	Supply	O
R1, R0	Connect 6.0kΩ(1.0%) between the external reference resistor connecting pins R1 and R0.	41,40	Analog	O
PD	Power down input pin Connect this pin to VSS during normal operation.	14	Hysteresis	I
BCLKON	Bus Manager Contender/Link-On pin The status of this pin determines whether the bus manager function is used at the time of hard reset. See 7.4.3.	19	CMOS	I/O
LREQ	Request signal from the Link layer controller IC	1	Hysteresis	I
CTL0, CTL1	PHY/LINK interface bidirectional control signal	4,5	Hysteresis	I/O
D0 to D7	PHY/LINK interface bidirectional data signal	6,7,8,9, 10,11,12,13	Hysteresis	I/O
SCLK	49.152 MHz system clock to the Link layer controller IC	2		O
LPS	Link power status pin. A signal used to monitor whether the Link layer controller IC is active.	15	Hysteresis	I
PS2 PS1 PS0	Power status pin These pins configure the POWER CLASS bit of the Self-ID packet. PS0, PS1, and PS2 are respectively bits 21, 22, 23 of the Self-ID packet.	20,21,22	CMOS	I
DIRECT	Configured according to the isolation barrier configuration between PHY and LINK. Connect this pin to VDD for DC or single capacitor AC connection.	23	CMOS	I

Pin name	Function	Pin No.	Pin typ.	I/O
XTEST_MODE	Test pin Connect this pin to VDD during normal operation.	27	CMOS	I
XRST	Reset pin The SIR72900F00A is initialized when this pin is set to 0. After turning on the power supply, for at least 2ms, maintain XRST = 0. Set this pin to 1 during normal operation.	53	Hysteresis	I
CPS	Cable Power Status detection pin Connect this pin to the cable power through a 240kΩ resistor. Also, connect a diode (VF = 0.4V) between the PHY-VDD.	Hysteresis	I	
BNC	Signal indicating the cable status. Outputs HIGH when all the ports do not receive bias voltage from the node on the other side.	3	CMOS	O
FC0	Connection pin for PLL filter The SIR72900F00A does not need external capacitor. Set this pin to open.	54	Analog	O
FC1	Connection pin for PLL filter The SIR72900F00A does not need external capacitor. Set this pin to open.	55	Analog	O
XI	Pin for a 24.576MHz crystal oscillator	59		
XO	Pin for a 24.576MHz crystal oscillator	60		
TEST0	Test pin Connect this pin to Vss during normal operation.	28	CMOS	I
TEST1	Test pin Connect this pin to Vss during normal operation.	29	CMOS	I

7. FUNCTIONAL DESCRIPTION

7.1 Control Register

7.1.1 Accessing the register

The registers on the SIR72900F00A are accessed from the Link layer controller IC. For details, see Section 7.4.4 Link interface.

Table 7.1 Registers

Name	Address	0	1	2	3	4	5	6	7
Register0	0000	Physical_ID						R	PS
Register1	0001	RHB	IBR	Gap_count					
Register2	0010	Extended			Total_ports				
Register3	0011	Max_speed				Delay			
Register4	0100	LCtrl	Contender	Jitter			Power_class		
Register5	0101	Watchdog	ISBR	Loop	Pwr_fail	Timeout	Port_event	Enab_accel	Enab_multi
Register6	0110								
Register7	0111	Page_Select				Port_Select			
–	1000	Register8							
–	1001	Register9							
–	1010	RegisterA							
–	1011	RegisterB							
–	1100	RegisterC							
–	1101	RegisterD							
–	1110	RegisterE							
–	1111	RegisterF							

7.1.2 Register bits

This section explains the control register bits of the SIR72900F00A. In the R/ \bar{W} column, R means read only and R/W means readable/writable. The Power Reset Value column shows the initial value (0 or 1) which each bit takes after power-on reset.

7.1.2.1 Register 0

Address	Bit Symbol	R/ \bar{W}	Power Reset Value	Description
0x01	0: RHB	R/ \bar{W}	0	Root Hold Bit
	1: IBR	R/ \bar{W}	0	Initiate Bus Reset
	2: Gap_count [0]	R/ \bar{W}	1	Gap Count_bit0
	3: Gap_count [1]	R/ \bar{W}	1	Gap Count_bit1
	4: Gap_count [2]	R/ \bar{W}	1	Gap Count_bit2
	5: Gap_count [3]	R/ \bar{W}	1	Gap Count_bit3
	6: Gap_count [4]	R/ \bar{W}	1	Gap Count_bit4
	7: Gap_count [5]	R/ \bar{W}	1	Gap Count_bit5

Bits 0 to 5: Physical Node ID

This register address 00h is output as a status to the PHY/LINK interface after transmission of a Self-ID packet. These bits indicate Node IDs that were determined during a Self-ID period and they are determined when transmitting a Self-ID packet during a Self-ID period. These bits are initialized by bus reset (BR).

Bit 6: Root Indicator

This bit is determined during a Tree-ID period and it indicates the root setting for its node. When this bit is '1', this node is set as the root and initialized by bus reset.

Bit 7: Cable Power Status

This bit indicates the cable power supply status reflecting the status of the CPS pin. When this bit is '1', it indicates that the power is supplied through the cable.

7.1.2.2 Register 1

Address	Bit Symbol	R/W	Power Reset Value	Description
0x01	0: RHB	R/W	0	Root Hold Bit
	1: IBR	R/W	0	Initiate Bus Reset
	2: Gap_count [0]	R/W	1	Gap Count_bit0
	3: Gap_count [1]	R/W	1	Gap Count_bit1
	4: Gap_count [2]	R/W	1	Gap Count_bit2
	5: Gap_count [3]	R/W	1	Gap Count_bit3
	6: Gap_count [4]	R/W	1	Gap Count_bit4
	7: Gap_count [5]	R/W	1	Gap Count_bit5

Bit 0: Root Hold Bit

This bit is set automatically by PHY configuration packet transmission.

When this bit is '1', it is a request that the node should be the root at the next bus reset.

Bit 1: Initiate Bus Reset

Setting this bit immediately issues a bus reset command.

When this bit is '1', a bus reset is issued. This bit is initialized by bus reset.

Bits 2 to 7: Gap Count

These bits are also set automatically by PHY Configuration packet transmission indicating Gap Count values. They retain the value at the first bus reset after configuration, and are initialized at the second bus reset.

7.1.2.3 Register 2

Address	Bit Symbol	R/W	Power Reset Value	Description
0x03	0: Max_speed [0]	R	0	Speed
	1: Max_speed [1]	R	1	Speed
	2: Max_speed [2]	R	0	Speed
	3: Reserved	R	0	
	4: Delay [0]	R	0	Delay
	5: Delay [1]	R	0	Delay
	6: Delay [2]	R	1	Delay
	7: Delay [3]	R	0	Delay

Bits 0 to 2: Extended register

The register map that the SIR72900F00A supports. '111b' is read.

Bits 3 to 7: Total of Port

The number of ports on the SIR72900F00A. Normally, 2 ('00010b') is read.

7.1.2.4 Register 3

Address	Bit Symbol	R/W	Power Reset Value	Description
0x04	0: LCtrl	R/W	1	Link Control
	1: Contender	R/W	See discription	Contender
	2: Jitter [0]	R	0	Jitter
	3: Jitter [1]	R	0	Jitter
	4: Jitter [2]	R	0	Jitter
	5: Power_class [0]	R/W	0	Power Class
	6: Power_class [1]	R/W	0	Power Class
	7: Power_class [2]	R/W	0	Power Class

Bits 0 to 2: Speed

The maximum transmission speed the SIR72900F00A supports. Normally, 2 ('010b') is read.

Bit 3: Reserved**Bits 4 to 7: Delay**

The SIR72900F00A's repeat delay in the worst cases. Normally, 2 ('0010b') is read.

The maximum repeat delay time of the SIR72900F00A is 0.184 μ s.

7.1.2.5 Register 4

Address	Bit Symbol	R/W	Power Reset Value	Description
0x04	0: LCtrl	R/W	1	Link Control
	1: Contender	R/W	See discription	Contender
	2: Jitter [0]	R	0	Jitter
	3: Jitter [1]	R	0	Jitter
	4: Jitter [2]	R	0	Jitter
	5: Power_class [0]	R/W	0	Power Class
	6: Power_class [1]	R/W	0	Power Class
	7: Power_class [2]	R/W	0	Power Class

Bit 0: Link Control

This bit controls the value of the L (link_active) field of the Self-ID packet. The L (link_active) field of the Self-ID packet reflects the logical multiplication between this bit and LPS signal.

This bit is initialized to '1' as bus reset occurs.

Bit 1: Contender

This bit reflects the c (CONTENDER) field of the Self-ID packet. This bit has the same meaning as the c (CONTENDER) field of the Self-ID packet.

This bit reflects the value of the BCLKON pin when hardware reset occurs.

Bits 2 to 4: Jitter

A difference between the maximum and minimum repeat delays of the SIR72900F00A. Normally, 0'000b' is read. The repeat jitter of the SIR72900F00A is 20 ns.

Bits 5 to 7: Power Class

These bits reflect the pwr (POWER_CLASS) field of the Self-ID packet. They have the same meaning as the pwr (POWER_CLASS) field of the Self-ID packet.

These bits are initialized to the value of pins PS0, PS1, and PS2 when hardware reset occurs.

The relationships between the bits and pins PS0, PS1, and PS2 are as follows:

bit5:PS0(Pin22)

bit6:PS1(Pin21)

bit7:PS2(Pin20)

7.1.2.6 Register 5

Address	Bit Symbol	R/W	Power Reset Value	Description
0x05	0: Watchdog	R/W	0	Watchdog
	1: ISBR	R/W	0	Initiate Short Bus Reset
	2: Loop	R/W	0	Loop detect
	3: Pwr_fail	R/W	1	Cable power failure detect
	4: Timeout	R/W	0	Arbtration state machine timeout
	5: Port_event	R/W	0	Port_event detect
	6: Enab_accel	R/W	0	Enable arbitration acceleration
	7: Enab_multi	R/W	0	Enable multi-speed packet concatenation

Bit 0: Watchdog

When set to '1,' this bit communicates the status of Loop, Power_fail, and Arb_timeout to the Link layer controller IC, regardless of the status of the PHY/LINK interface. When a resume action starts on any port, this bit sends a resume interrupt signal regardless of the value of Int_enable.

Bit 1: Initiate Short (Arbitrated) Bus Reset

Setting this bit to '1' issues short bus reset.

This bit is cleared when the short bus reset completes.

Bit 2: Loop detect

When this bit is '1,' the bus is looped.

This bit is cleared when hardware reset occurs or '1' is written.

Bit 3: Cable power failure detect

When this bit is '1,' it means that the PC bit has changed from 1 to 0.

This bit is cleared when '1' is written.

Bit 4: Arbitration state machine timeout

When this bit is '1,' it means that the node had been in a state other than Tree_IDStart longer than MAX_ARB_STATE_TIME.

This bit is cleared when hardware reset occurs or '1' is written.

Bit 5: Port_event detect

When Int_enable is '1,' detection of a change in the Connected, Bias, Disabled, or Fault bit sets this bit to '1.' Also, when Watchdog is '1,' a Resume process sets this bit to '1.'

This bit is cleared when hardware reset occurs or '1' is written.

Bit 6: Enable arbitration acceleration

Setting this bit to '1' causes Ack-acceleration arbitration and fly-by arbitration. When this bit is set to '0,' no acceleration arbitration occurs.

This bit is initialized as hardware reset occurs.

Bit 7: Enable multi-speed packet concatenation

When this bit is set to '1,' a joint packet transmission request requires a speed code. When this bit is set to '0,' joint packet transmission is done at the same speed as the first packet transmission.

This bit is initialized as hardware reset occurs.

7.1.2.7 Register 6

Address	Bit Symbol	R/ \bar{W}	Power Reset Value	Description
0x06	0: Reserved	R	0	
	1: Reserved	R	0	
	2: Reserved	R	0	
	3: Reserved	R	0	
	4: Reserved	R	0	
	5: Reserved	R	0	
	6: Reserved	R	0	
	7: Reserved	R	0	

Bits 0 to 7: Reserved

7.1.2.8 Register 7

Address	Bit Symbol	R/ \bar{W}	Power Reset Value	Description
0x07	0: Page_select [0]	R/ \bar{W}	0	
	1: Page_select [1]	R/ \bar{W}	0	
	2: Page_select [2]	R/ \bar{W}	0	
	3: Reserved	R	0	
	4: Port_select [0]	R/ \bar{W}	0	
	5: Port_select [1]	R/ \bar{W}	0	
	6: Port_select [2]	R/ \bar{W}	0	
	7: Port_select [3]	R/ \bar{W}	0	

Bits 0 to 2: Page Select

These bits specify what page between 1000b and 1111b of the PHY register should be accessed.

Bit 3: Reserved

Bits 4 to 7: Port Select

When the Page_select bit selects Port Status Page, these bits specify what port between 1000b and 1111b of the PHY register should be accessed.

Table 7.2 Registers of Page_Select 0

Name	Address	0	1	2	3	4	5	6	7
Register00	1000	AStat		BStat		Child	Connected	Bias	Disabled
Register01	1001	Negotiated_speed			Int_enable	Fault			
Register02	1010								
Register03	1011								
Register04	1100								
Register05	1101								
Register06	1110								
Register07	1111								

7.1.3 Page_select 0 bits

7.1.3.1 Register 00

Address	Bit Symbol	R/W	Power Reset Value	Description
0x08	0: Astat [0]	R	0	Status of TPA
	1: Astat [1]	R	0	Status of TPA
	2: Bstat [0]	R	0	Status of TPB
	3: Bstat [1]	R	0	Status of TPB
	4: Child	R	0	Child
	5: Connected	R	0	Connected
	6: Bias	R	0	Cable Bias
	7: Disabled	R/W	See description	Port Disabled

Bits 0 to 1: Status of TPA

These bits indicate the status of TPA. The meaning of these bits is as follows:

'11b':Z
 '01b':1
 '10b':0
 '00b':invalid

Bits 2 to 3: Status of TPB

These bits indicate the status of TPB. The meaning of these bits is as follows:

'11b':Z
 '01b':1
 '10b':0
 '00b':invalid

Bit 4: Child

When this bit is '1,' the port is a Child. When this bit is '0,' the port is a Parent.
 This bit is initialized by bus reset, and determined during a Tree-ID period.

Bit 5: Connected

When this bit is '1,' it indicates that the port recognizes a node is connected.

Bit 6: Cable Bias

This bit reflects the cable bias detected at the port. When this bit is '1,' it indicates that TpBias is detected at the port.

Bit 7: Port Disabled

When this bit is set to '1,' the port is disabled.
 This bit is initialized as hardware reset occurs.

7.1.3.2 Register 01

Address	Bit Symbol	R/W	Power Reset Value	Description
0x09	0: Negotiated_speed [0]	R	0	Negotiated speed
	1: Negotiated_speed [1]	R	0	Negotiated speed
	2: Negotiated_speed [2]	R	0	Negotiated speed
	3: Int_enable	R/W	0	Enable port event interrupt
	4: Fault	R/W	0	fault
	5: Reserved	R	0	
	6: Reserved	R	0	
	7: Reserved	R	0	

Bits 0 to 2: Negotiated speed

These bits indicate the speed of the node connected to the port.

They are initialized by bus reset, and determined during a Self-ID period.

The meaning of these bits is as follows:

'000b': The maximum transmission speed is 100 Mbps.

'001b': The maximum transmission speed is 200 Mbps.

'010b': The maximum transmission speed is 400 Mbps.

Bit 3: Enable port event interrupt

When this bit is set to '1,' the Port_event bit is set to '1' when a change in the Connected, Bias, Disabled, or Fault bit occurs.

This bit is initialized as hardware reset occurs.

Bit 4: Fault

When this bit is '1,' it indicates that an error has occurred during suspend/resume operation.

This bit is cleared when hardware reset occurs or '1' is written.

Bits 5 to 7: Reserved

7.1.3.3 Register 02

Address	Bit Symbol	R/W	Power Reset Value	Description
0x0A	0: Reserved	R	0	
	1: Reserved	R	0	
	2: Reserved	R	0	
	3: Reserved	R	0	
	4: Reserved	R	0	
	5: Reserved	R	0	
	6: Reserved	R	0	
	7: Reserved	R	0	

Bits 0 to 7: Reserved

7.1.3.4 Register 03

Address	Bit Symbol	R/W	Power Reset Value	Description
0x0B	0: Reserved	R	0	
	1: Reserved	R	0	
	2: Reserved	R	0	
	3: Reserved	R	0	
	4: Reserved	R	0	
	5: Reserved	R	0	
	6: Reserved	R	0	
	7: Reserved	R	0	

Bits 0 to 7: Reserved

7.1.3.5 Register 04

Address	Bit Symbol	R/W	Power Reset Value	Description
0x0C	0: Reserved	R	0	
	1: Reserved	R	0	
	2: Reserved	R	0	
	3: Reserved	R	0	
	4: Reserved	R	0	
	5: Reserved	R	0	
	6: Reserved	R	0	
	7: Reserved	R	0	

Bits 0 to 7: Reserved

7.1.3.6 Register 05

Address	Bit Symbol	R/W	Power Reset Value	Description
0x0D	0: Reserved	R	0	
	1: Reserved	R	0	
	2: Reserved	R	0	
	3: Reserved	R	0	
	4: Reserved	R	0	
	5: Reserved	R	0	
	6: Reserved	R	0	
	7: Reserved	R	0	

Bits 0 to 7: Reserved

7.1.3.7 Register 06

Address	Bit Symbol	R/W	Power Reset Value	Description
0x0E	0: Reserved	R	0	
	1: Reserved	R	0	
	2: Reserved	R	0	
	3: Reserved	R	0	
	4: Reserved	R	0	
	5: Reserved	R	0	
	6: Reserved	R	0	
	7: Reserved	R	0	

Bits 0 to 7: Reserved

7.1.3.8 Register 07

Address	Bit Symbol	R/W	Power Reset Value	Description
0x0F	0: Reserved	R	0	
	1: Reserved	R	0	
	2: Reserved	R	0	
	3: Reserved	R	0	
	4: Reserved	R	0	
	5: Reserved	R	0	
	6: Reserved	R	0	
	7: Reserved	R	0	

Bits 0 to 7: Reserved

Table 7.3 Registers of Page_Select 1

Name	Address	0	1	2	3	4	5	6	7
Register10	1000	Compliance_level							
Register11	1001								
Register12	1010	Vendor_ID [16:23]							
Register13	1011	Vendor_ID [8:15]							
Register14	1100	Vendor_ID [0:7]							
Register15	1101	Product_ID [16:23]							
Register16	1110	Product_ID [8:15]							
Register17	1111	Product_ID [0:7]							

7.1.4 Page_select 1 bits

7.1.4.1 Register 10

Address	Bit Symbol	R/W	Power Reset Value	Description
0x08	0: Compliance_level [0]	R	0	Compliance_level
	1: Compliance_level [1]	R	0	Compliance_level
	2: Compliance_level [2]	R	0	Compliance_level
	3: Compliance_level [3]	R	0	Compliance_level
	4: Compliance_level [4]	R	0	Compliance_level
	5: Compliance_level [5]	R	0	Compliance_level
	6: Compliance_level [6]	R	0	Compliance_level
	7: Compliance_level [7]	R	1	Compliance_level

Bits 0 to 7: Compliance Level

Normally, 1 ('01h') for P1394a-compliant is read.

7.1.4.2 Register 11

Address	Bit Symbol	R/W	Power Reset Value	Description
0x09	0: Reserved	R	0	
	1: Reserved	R	0	
	2: Reserved	R	0	
	3: Reserved	R	0	
	4: Reserved	R	0	
	5: Reserved	R	0	
	6: Reserved	R	0	
	7: Reserved	R	0	

Bits 0 to 7: Reserved

7.1.4.3 Register 12

Address	Bit Symbol	R/W	Power Reset Value	Description
0x0A	0: Vendor_ID [16]	R	0	Vendor_ID_bit16
	1: Vendor_ID [17]	R	0	Vendor_ID_bit17
	2: Vendor_ID [18]	R	0	Vendor_ID_bit18
	3: Vendor_ID [19]	R	0	Vendor_ID_bit19
	4: Vendor_ID [20]	R	0	Vendor_ID_bit20
	5: Vendor_ID [21]	R	0	Vendor_ID_bit21
	6: Vendor_ID [22]	R	0	Vendor_ID_bit22
	7: Vendor_ID [23]	R	0	Vendor_ID_bit23

Bits 0 to 7: Vendor ID [16:23]

For the SIR72900F00A, '00h' is read.

7.1.4.4 Register 13

Address	Bit Symbol	R/W	Power Reset Value	Description
0x0B	0: Vendor_ID [8]	R	0	Vendor_ID_bit8
	1: Vendor_ID [9]	R	0	Vendor_ID_bit9
	2: Vendor_ID [10]	R	0	Vendor_ID_bit10
	3: Vendor_ID [11]	R	0	Vendor_ID_bit11
	4: Vendor_ID [12]	R	0	Vendor_ID_bit12
	5: Vendor_ID [13]	R	0	Vendor_ID_bit13
	6: Vendor_ID [14]	R	0	Vendor_ID_bit14
	7: Vendor_ID [15]	R	0	Vendor_ID_bit15

Bits 0 to 7: Vendor ID [8:15]

For the SIR72900F00A, '00h' is read.

7.1.4.5 Register 14

Address	Bit Symbol	R/W	Power Reset Value	Description
0x0C	0: Vendor_ID [0]	R	0	Vendor_ID_bit0
	1: Vendor_ID [1]	R	1	Vendor_ID_bit1
	2: Vendor_ID [2]	R	0	Vendor_ID_bit2
	3: Vendor_ID [3]	R	0	Vendor_ID_bit3
	4: Vendor_ID [4]	R	1	Vendor_ID_bit4
	5: Vendor_ID [5]	R	0	Vendor_ID_bit5
	6: Vendor_ID [6]	R	0	Vendor_ID_bit6
	7: Vendor_ID [7]	R	0	Vendor_ID_bit7

Bits 0 to 7: Vendor ID [0:7]

For the SIR72900F00A, '48h' is read.

7.1.4.6 Register 15

Address	Bit Symbol	R/W	Power Reset Value	Description
0x0D	0: Product_ID [16]	R	0	Product_ID_bit16
	1: Product_ID [17]	R	0	Product_ID_bit17
	2: Product_ID [18]	R	0	Product_ID_bit18
	3: Product_ID [19]	R	0	Product_ID_bit19
	4: Product_ID [20]	R	0	Product_ID_bit20
	5: Product_ID [21]	R	0	Product_ID_bit21
	6: Product_ID [22]	R	0	Product_ID_bit22
	7: Product_ID [23]	R	0	Product_ID_bit23

Bits 0 to 7: Product ID [16:23]

For the SIR72900F00A, '00h' is read.

7.1.4.7 Register 16

Address	Bit Symbol	R/W	Power Reset Value	Description
0x0E	0: Product_ID [8]	R	0	Product_ID_bit8
	1: Product_ID [9]	R	0	Product_ID_bit9
	2: Product_ID [10]	R	0	Product_ID_bit10
	3: Product_ID [11]	R	0	Product_ID_bit11
	4: Product_ID [12]	R	0	Product_ID_bit12
	5: Product_ID [13]	R	0	Product_ID_bit13
	6: Product_ID [14]	R	1	Product_ID_bit14
	7: Product_ID [15]	R	0	Product_ID_bit15

Bits 0 to 7: Product ID [8:15]

For the SIR72900F00A, '02h' is read.

7.1.4.8 Register 17

Address	Bit Symbol	R/W	Power Reset Value	Description
0x0F	0: Product_ID [0]	R	0	Product_ID_bit0
	1: Product_ID [1]	R	0	Product_ID_bit1
	2: Product_ID [2]	R	0	Product_ID_bit2
	3: Product_ID [3]	R	0	Product_ID_bit3
	4: Product_ID [4]	R	0	Product_ID_bit4
	5: Product_ID [5]	R	0	Product_ID_bit5
	6: Product_ID [6]	R	0	Product_ID_bit6
	7: Product_ID [7]	R	1	Product_ID_bit7

Bits 0 to 7: Product ID [0:7]

For the SIR72900F00A, '01h' is read.

Table 7.3 Registers of Page_Select 1

Name	Address	0	1	2	3	4	5	6	7
Register70	1000							RemSCLk	HostIsbr
Register71	1001								
Register72	1010								
Register73	1011								
Register74	1100								
Register75	1101								
Register76	1110								
Register77	1111								

7.1.5 Page_select 7 bits

7.1.5.1 Register 70

Address	Bit Symbol	R/ \bar{W}	Power Reset Value	Description
0x08	0: Reserved	R	0	
	1: Reserved	R	0	
	2: Reserved	R	0	
	3: Reserved	R	0	
	4: Reserved	R	0	
	5: Reserved	R	0	
	6: RemSCLK	R/ \bar{W}	0	Remain SCLK
	7: HostIsbr	R/ \bar{W}	0	Host Isbr

Bits 0 to 5: Reserved

Bit 6: Remain SCLK

When this bit is set to '1,' SCLK output continues even if LPS is deasserted.

When this bit is '0,' the IC operates as per IEEE 1394a-2000.

Bit 7: Host Isbr

When this bit is '1,' the SIR72900F00A issues short bus reset when LPS is deasserted.

When this bit is '0,' the IC operates as per IEEE 1394a-2000.

7.1.5.2 Register 71

Address	Bit Symbol	R/ \bar{W}	Power Reset Value	Description
0x09	0: Reserved	R	0	
	1: Reserved	R	0	
	2: Reserved	R	0	
	3: Reserved	R	0	
	4: Reserved	R	0	
	5: Reserved	R	0	
	6: Reserved	R	0	
	7: Reserved	R	0	

Bits 0 to 7: Reserved

7.1.5.3 Register 72

Address	Bit Symbol	R/W	Power Reset Value	Description
0x0A	0: Reserved	R	0	
	1: Reserved	R	0	
	2: Reserved	R	0	
	3: Reserved	R	0	
	4: Reserved	R	0	
	5: Reserved	R	0	
	6: Reserved	R	0	
	7: Reserved	R	0	

Bits 0 to 7: Reserved

7.1.5.4 Register 73

Address	Bit Symbol	R/W	Power Reset Value	Description
0x0B	0: Reserved	R	0	
	1: Reserved	R	0	
	2: Reserved	R	0	
	3: Reserved	R	0	
	4: Reserved	R	0	
	5: Reserved	R	0	
	6: Reserved	R	0	
	7: Reserved	R	0	

Bits 0 to 7: Reserved

7.1.5.5 Register 74

Address	Bit Symbol	R/W	Power Reset Value	Description
0x0C	0: Reserved	R	0	
	1: Reserved	R	0	
	2: Reserved	R	0	
	3: Reserved	R	0	
	4: Reserved	R	0	
	5: Reserved	R	0	
	6: Reserved	R	0	
	7: Reserved	R	0	

Bits 0 to 7: Reserved

7.1.5.6 Register 75

Address	Bit Symbol	R/W	Power Reset Value	Description
0x0D	0: Reserved	R	0	
	1: Reserved	R	0	
	2: Reserved	R	0	
	3: Reserved	R	0	
	4: Reserved	R	0	
	5: Reserved	R	0	
	6: Reserved	R	0	
	7: Reserved	R	0	

Bits 0 to 7: Reserved

7.1.5.7 Register 76

Address	Bit Symbol	R/W	Power Reset Value	Description
0x0E	0: Reserved	R	0	
	1: Reserved	R	0	
	2: Reserved	R	0	
	3: Reserved	R	0	
	4: Reserved	R	0	
	5: Reserved	R	0	
	6: Reserved	R	0	
	7: Reserved	R	0	

Bits 0 to 7: Reserved

7.1.5.8 Register 77

Address	Bit Symbol	R/W	Power Reset Value	Description
0x0F	0: Reserved	R	0	
	1: Reserved	R	0	
	2: Reserved	R	0	
	3: Reserved	R	0	
	4: Reserved	R	0	
	5: Reserved	R	0	
	6: Reserved	R	0	
	7: Reserved	R	0	

Bits 0 to 7: Reserved

7.2 Data Format

7.2.1 Self-ID packet

The Self-ID packets the SIR72900F00A transmits are 2-quadlet packets in the format shown in Figure 7.1. The SIR72900F00A transmits the following Self-ID packet during Self-ID period of bus initialization. The SIR72900F00A also transmits a Self-ID packet automatically as a response to a Ping packet.

0	1	2	3	4	5	6	7	8	9	#	#	#	#	#	#	#	#	#	#	#	#	#	#	#	#	#	#	#	#	
#	phy-ID							0	L	gap_cnt				sp	rsv	c	pwr			p0	p1	0	i	m						
logical inverse of first quadlet																														

Figure 7.1 Self-ID packet format

phy_ID: physical_ID field
Reflects the ID node of the IC.

L: LPS, LCtrl field
Reflects the logical multiplication of the LPS pin and the LCtrl bit of PHY Register 4 at the time of Self-ID packet transmission.

gap_cnt: gap_cnt field
Reflects the value of Gap_Count of PHY Register 1.

sp: PHY_SPEED field
00 = 98.304 Mbps (S100)
01 = 98.304/196.608 Mbps (S100/S200)
10 = 98.304/196.608/393.216 Mbps (S100/S200/S300)
11 = Reserved
Applicable speeds are stored. For the SIR72900F00A, this field is fixed to '10b.'

rsv: Fixed to '00b.'

C: CONTENDER field
Reflects the value of the Contender bit of PHY Register 4.

pwr: POWER_CLASS field
bit21 = PS0(Pin22)
bit22 = PS1(Pin21)
bit23 = PS2(Pin20)
Reflects the Pwr bit of PHY Register 4.
The IEEE P1394a-2000 standards define this field as follows:
000 = The node does not need a power supply. The node does not repeat the power supply.
001 = The node has its own power supply and is able to supply a minimum of 15 W.
010 = The node has its own power supply and is able to supply a minimum of 30 W.
011 = The node has its own power supply and is able to supply a minimum of 45 W.
100 = The node can consume power up to 3 W from the cable. However, it does not consume any power to enable the Link or upper layers.
101 = Reserved
110 = The node can consume power up to 3 W from the cable. It can consume more power up to 3 W to enable the Link or upper layers.
111 = The node can consume power up to 3 W from the cable. It can consume more power up to 7 W to enable the Link or upper layers.

p0, p1: Port connection status field
Indicates the port status.
11 = The port is active and connected to a child node.
10 = The port is active and connected to a parent node.
01 = The port is inactive (disabled, disconnected, or suspended).

- I: initiated_reset field
Indicates that the node has issued BusReset.
- m: more_packets field
This field is set to '1' when more than one Self-ID packet is sent. However, for the S1R72900F00A, this field is fixed to '0.'

7.2.2 Link-on Packet

01	phy-ID	0000	0000	0000	0000	0000	0000
logical inverse of first quadlet							

Figure 7.2 Link-on packet format

7.2.3 PHY Configuration Packet

00	root-ID	R	T	gap_cnt	0000	0000	0000	0000
logical inverse of first quadlet								

Figure 7.3 PHY Configuration packet format

7.2.4 Extended PHY Packet

7.2.4.1 Ping Packet

00	phy-ID	00	type(0)	00	0000	0000	0000	0000
logical inverse of first quadlet								

Figure 7.4 Ping packet format

7.2.4.2 Remote Access Packet

00	phy-ID	00	type(1/5h)	page	port	reg	reserved
logical inverse of first quadlet							

Figure 7.5 Remote Access packet format

7.2.4.3 Remote Reply Packet

00	phy-ID	00	type(3/7h)	page	port	reg	data	
logical inverse of first quadlet								

Figure 7.6 Remote Reply packet format

7.2.4.4 Remote Command Packet

00	phy-ID	00	type(8h)	000	port	0000		data
logical inverse of first quadlet								

Figure 7.7 Remote Command packet format

7.2.4.5 Remote Confirmation Packet

00	phy-ID	00	type(Ah)	000	port	0000	f	c	b	d	ok	cmd
logical inverse of first quadlet												

Figure 7.8 Remote Confirmation packet format

7.2.4.6 Resume Packet

00	phy-ID	00	type(Fh)	00	0000	0000	0000	
logical inverse of first quadlet								

Figure 7.9 Resume packet format

7.3 Cable Port Interface

7.3.1 Cable port interface circuit

Figure 7.10 shows a circuit diagram of the cable port interface.

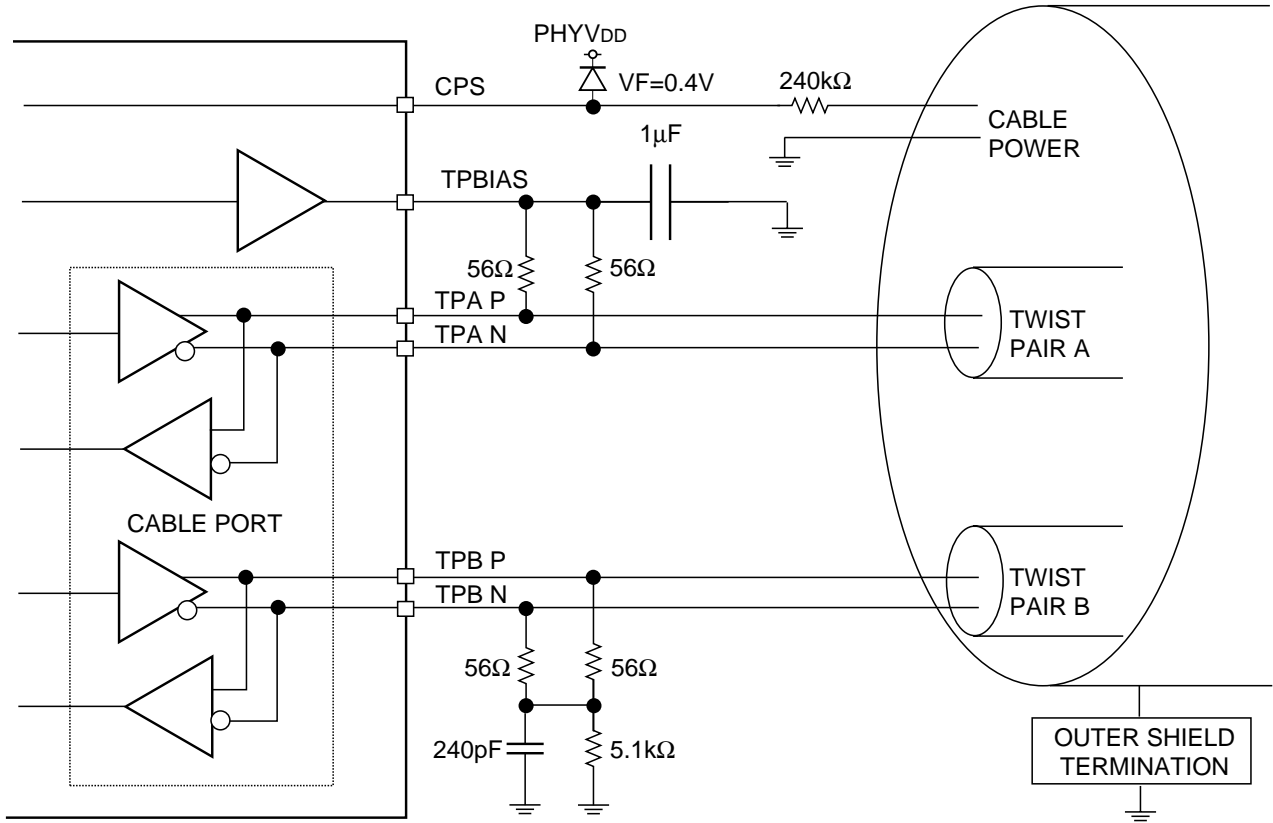


Figure 7.10 Cable port interface circuit

Figure 7.11 shows an example of outer shield circuit of the cable port.

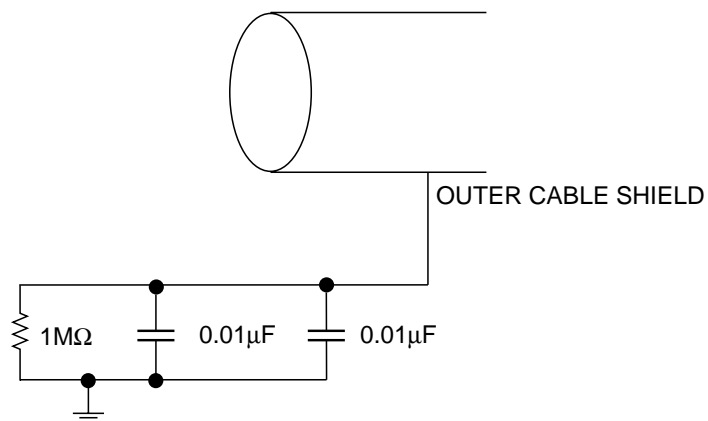


Figure 7.11 Cable port outer shield circuit

Cables specifically designed as per IEEE 1394 are used as media for the cable port interface. Data is transmitted through two shielded pairs of twisted cables. As shown in Figure 7.10, each twisted pair cable is connected to the TpB pair of the node to which the TpA pair of the own node.

Both TpA and TpB require two 56Ω terminating resistors appropriate to the cable impedance. Locate these terminating resistors as close to the IC pin as possible.

On the TpA side, TpBias is connected to the terminating resistor intermediate node to set inphase DC potential of the cable. To TpBias, connect a 1-μF capacitor for decoupling.

On the TpB side, connect a 5.1kΩ resistor and a 240-pF capacitor to the terminating resistor intermediate node for pull-down. The 240-pF capacitor is for decoupling.

Connect the CPS pin to the cable power through a 240kΩ resistor.

7.3.2 Port state

The SIR72900F00A complies with the IEEE 1394a-2000 standards. The IEEE P1394a-2000 standards define the following five port states.

–Disabled:

A 'disabled' port does not output signals to TpBias and TpA/TpB. And the port in this state does not detect signals input to Bias and TpA/TpB. When the connection detection circuit detects a change in cable connection, this port outputs an interrupt to the upper layer if the Int_enable bit is set.

–Disconnected:

A 'disconnected' port has no physical cable connection to PHY on a different node and thus does not output signals to TpBias and TpA/TpB. And the port in this state does not detect signals input to Bias and TpA/TpB.

–Suspended:

A 'suspended' port does have physical cable connection to PHY on a different node but does not output signals to TpBias and TpA/TpB. And the port in this state does not detect signals input to TpA/TpB. On this port, only the bias detection and connection detection circuits are in operation.

–Resuming:

A 'resuming' port has physical cable connection to PHY on a different node and outputs signals to TpBias. On detection of bias, the port stays for a specified time and becomes active. During the resuming period, it does not detect signals input to TpA/TpB.

–Active:

An 'active' port has physical cable connection to PHY on a different node and outputs signals to TpBias and TpA/TpB. The port in this state detects signals input to Bias and TpA/TpB.

7.3.3 Connection detecting circuit

The SIR72900F00A is equipped with a built-in connection detecting circuit. Connection detecting circuit is a circuit to detect the connected state of the cables and is effective while the port is not outputting TpBias.

7.3.4 Suspend/Resume

There are two operations for the port state to transit from Active to Suspend state.

When receiving TX SUSPEND that was output by Suspend Initiator (RX SUSPEND)

The port (the Suspend Target) that received the RX SUSPEND enters the Suspend state. The node also outputs TX SUSPEND into Active ports other than the port that received RX SUSPEND, and the port is set as the Suspend Initiator. The Suspend Initiator port then also enters the Suspend state.

TX SUSPEND is transmitted until the position of this leaf node to set at the Suspend state. However, if the IEEE1394-1995 node, the Disabled port and the Suspend port are present on its way, TX SUSPEND will be transmitted to stop at their positions. Even when the port is set at Suspend state, the Fault bit is set to indicate that the Suspend state is not set normally when the Bias of the connection partner node was detected.

The conditions under which the port of the Suspend state starts the Resume operation to enter the Active state are as follows.

- The Bias of the connection partner node is detected and the Fault bit is cleared.
- The Resume packet is received.
- The Remote Command packet, which the Resume bits for the port were set to, is received.

If the Boundary node is not set, the other Suspended ports except this node will also start Resume operation simultaneously when the ports in the Suspend or Disconnected state start Resume operation with the Bias detected (other than Resume packet and Remote Command packet).

The Resume operation outputs TPBIAS, and it is terminated normally when the Bias of the connection partner node is detected. It then enters the Active state. However, it returns to the Suspended state to set the Fault bit, indicating that Resume operation was terminated normally if the Bias from the connection partner node cannot be detected.

When receiving the Resume Command packet which the Suspend bit for its own port was set to

The Remote Command packet is transferred two ways, from nodes other than its own node, and from the Link layer controller IC, which correspondent to the upper level layer of its own node. Either way, the Remote Confirmation packet is transferred to all ports and the PHY/LINK interface when the S1R72900F00A receives the Remote Command packet. Bus reset is then issued to all ports other than the port (Suspend Initiator) that the Suspend bit is set to, and the node enters the reset state. Simultaneously, the port which the Suspend bit is set to outputs TX SUSPEND and it then enters the Suspend state.

7.3.5 Processing Unused Ports

If there are ports to be not used out of two SiR72009F00A cable ports, the pin should be processed as shown Figure 7-12.

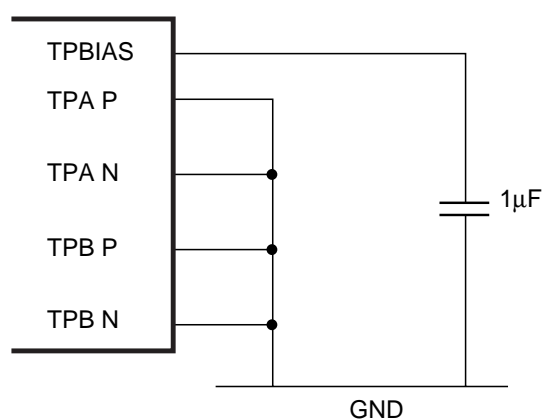


Figure 7.12 Processing Unused Ports

7.4 Link Layer Controller Interface

7.4.1 Connection

The SIR72900F00A can connect to a Link layer controller IC regardless of the existence of an isolation barrier. For DC connection, connect the DIRECT pin to VDD as shown in Figure 7.13.

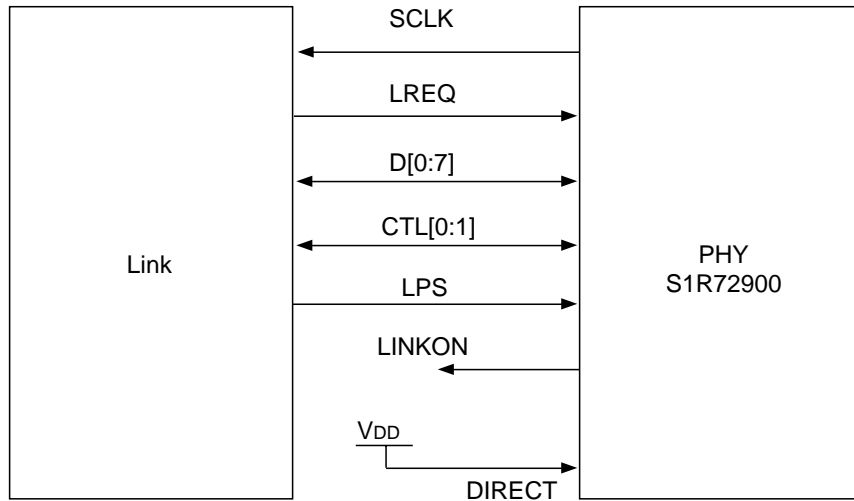


Figure 7.13 SIR72900F00A -to-Link chip connection diagram (DC connection)

The SIR72900F00A has a bus holder circuit on the interface pin for the Link layer controller IC. This enables AC connection as shown in Figure 7.14.

For AC connection (with a single capacitor), also connect the DIRECT pin to VDD.

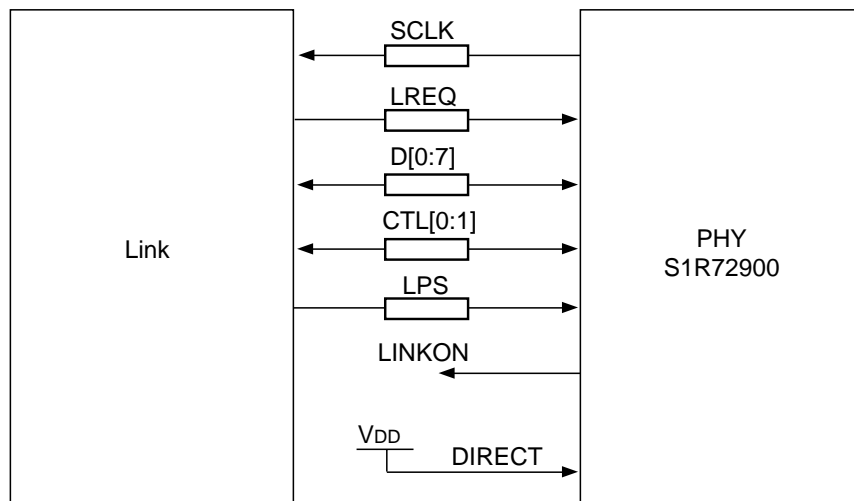


Figure 7.14 SIR72900F00A -to-Link chip connection diagram (AC connection)

As shown in Figure 7.15, use a 1000-pF coupling capacitor for AC connection.

* The SIR72900F00A is not in support of the IEEE1394 specification Annex J isolation barrier.

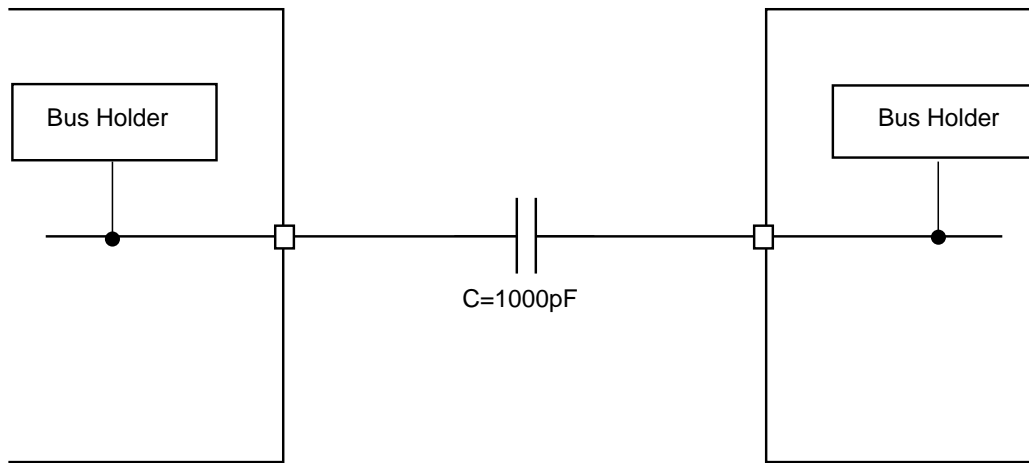


Figure 7.15 AC coupling connection

7.4.2 LPS (Link Power Status)

By inputting to the LPS pin, the S1R72900F00A is set to enable/disable the PHY/LINK interface. If the S1R72900F00A detects LPS = LOW during a TLPS RESET period, the PHY/LINK interface is set to the disable state to output LOW to the SCLK, CTL0-1 and D0-7. (While LOW is set when the PHY/LINK interface is DC connection, "Hi-Z" is set when it is AC connection.)

However, if Page select7 Register 70 bit 6 was set, SCLK is not terminated and continues to output a clock signal even when the PHY/LINK interface is set to disable.

If the PHY/LINK interface was reset, all bus requests and register read requests are cancelled. Also, the S1R72900F00A recognizes that the packet transfer was terminated and operates, if the Link layer controller IC reset the PHY/LINK interface during packet transfer.

When the PHY/LINK interface is set to disable period, the status output is not operated, therefore, this information is not output even after the PHY/LINK interface is set to enabled.

When the S1R72900F00A detects LPS = HIGH after the PHY/LINK interface was reset and set to disable, SCLK output starts after the disable state.

If the PHY/LINK interface uses the DC connection, the S1R72900F00A outputs LOW to the 7 SCLK cycles CTL, D after detecting LPS, and outputs Receive (CTL[0:1] = 10b, D[0.7]=ffh) for Data Prefix to the PHY/LINK interface at the 8th SCLK, returning to normal operation.

For AC connection, the S1R72900F00A outputs LOW to the 1SCLK cycle period CTL,D within 1 to 6 SCLK cycles after detecting LPS, returning to normal operation. Other periods will become "Hi-Z".

In this case, it continues to output Receive for Data Prefix to the PHY/LINK interface until packet receiving is terminated if its node is receiving a packet.

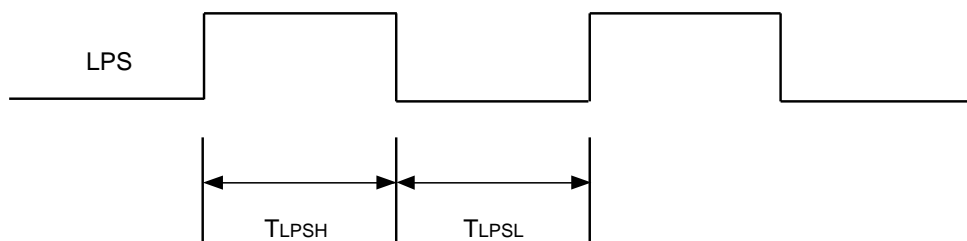


Figure 7.16 LPS waveforms in AC connection

Table 7.5 LPS timing

Symbol	Item	Min.	Max.	Unit
TLPSL	LPS low time (pulses)	0.09	1.0	μm
TLPSH	LPS high time (pulses)	0.09	1.0	μm
TLPS_RESET	The time required until the SIR72900F00A detects LPS = 0 and resets the PHY/LINK interface.	1.2	2.75	μm
TLPS_DISABLE	The time required until the SIR72900F00A detects LPS = 0 and disables the PHY/LINK interface.	25	30	μm

The S1R72900F00A issues short bus reset (SBR) against other nodes connected when detecting LPS = "1". This function makes cancellation possible by clearing Page select7Register 70 bit 7. A typical external circuit for the LPS pin is shown in Figures 7.17, 18 and 19.

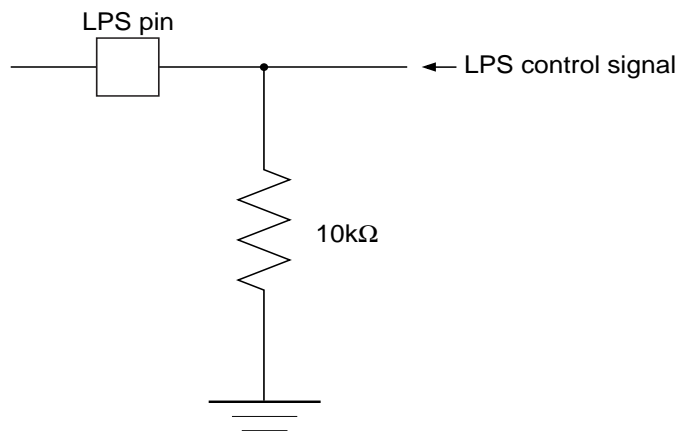


Figure 7.17 A typical direct connection and LPS external circuit 1 (with external signal control)

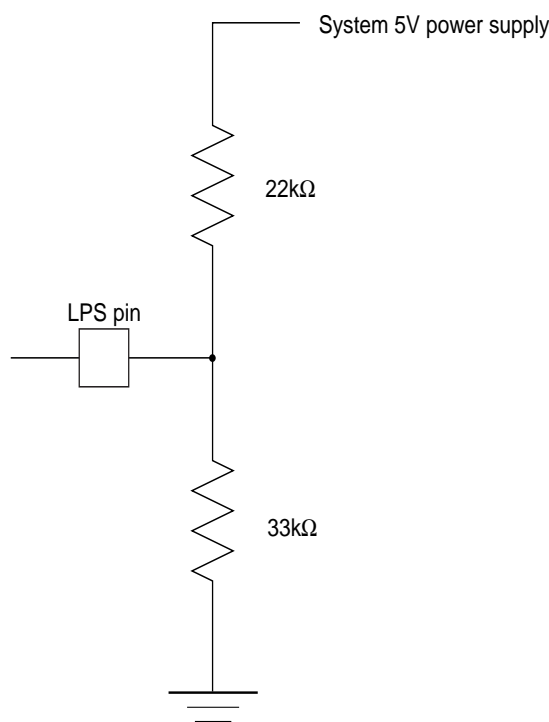


Figure 7.18 A typical direct connection and LPS external circuit 2 (without external signal control)

* The LPS control signal shown Figure 7.17 is required to be 0.8 V lower when the power supply on the upper layer compared to the Link layer is set to OFF. For example, if the LPS control signal is output from the Link layer controller IC, LPS output is required to be GND output when the Link layer controller IC power supply is set to OFF. (For VDD output, LPS = "0" may not be recognized because the VDD potential may not become 0.8V lower.)

Also, even when the system's power supply is connected to the LPS pin as shown in Figure 7.18, it is required to be 0.8V lower when the power supply on the upper layer compared to the Link layer is set to OFF. When using a 3.3V power supply for the Link layer controller IC, pay attention to the LPS connection because the VDD potential may not become 0.8V lower when the power supply is set to OFF.

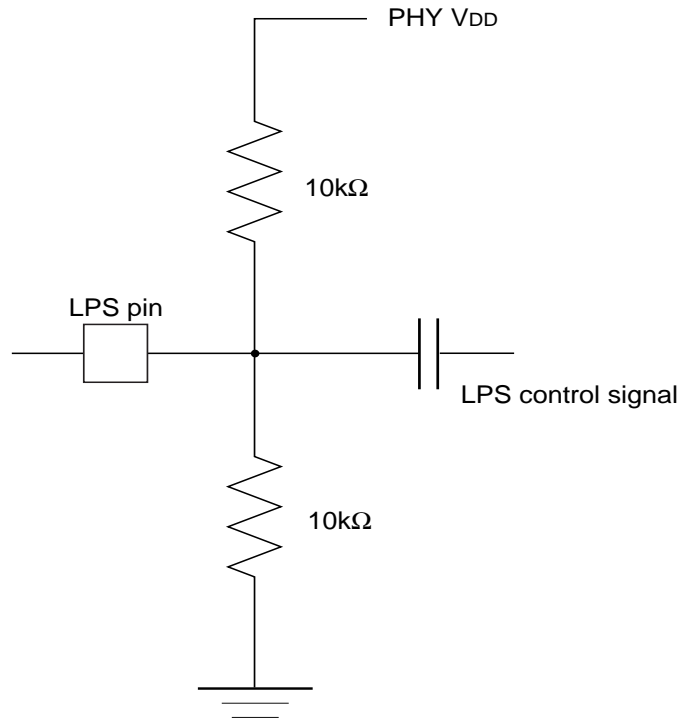


Figure 7.19 A typical AC connection and LPS external circuit

7.4.3 LinkOn

The SIR72900F00A recognizes that the Link layer controller IC is inactive when it recognizes that LPS is deasserted or the Link_Active bit of the PHY register is '0.'

LinkOn normally outputs LOW. However, the SIR72900F00A outputs a LinkOn signal when it receives a LinkOn packet sent to the node while it recognizes that the Link layer controller IC is inactive.

If the Loop, Pwr_fail, Timeout, or Port_event bit of the PHY register changes to '1' during this period, the IC outputs a LinkOn signal as an interrupt output.

The LinkOn signal is output as long as the Link layer controller IC is inactive. When the Link layer controller IC becomes active, LOW is output as a LinkOn signal.

LinkOn signals are AC signals with a frequency of 6.144 MHz and a duty of 50%.

7.4.4 Link interface (LREQ, CTL[0:1], D[0:7])

The PHY/LINK interface of the SIR72900F00A complies with the IEEE 1394a-2000 standards.

The PHY/LINK interface operates in four ways, LREQ-triggered request and CTL-triggered status transmission, packet transmission, and packet reception. The CTL-triggered operation is first controlled by the PHY.

Upon receiving a packet, the SIR72900F00A starts packet reception operation.

Figures 7.6 and 7.7 show CTL statuses and their meanings.

Table 7.6 Operation in which the SIR72900F00A controls CTL

CTL[0:1]	Operation	Description
00b	Idle	Idle status. The CTL is doing no operation. (Default mode)
01b	Status	Transmits status information.
10b	Receive	Transmits the received packet.
11b	Grant	Grants the Link the right to control the PHY/LINK interface for packet transmission.

After the above Grant operation when the Link layer controller IC is able to control the PHY/LINK bus, the Link interface enters the operation mode as shown in Table 7.7.

Table 7.7 Operation in which the Link layer controller IC controls CTL

CTL[0:1]	Operation	Description
00b	Idle	Completes the packet transmission and frees the PHY/LINK interface.
01b	Hold	<ul style="list-style-type: none"> · Holds the PHY/LINK interface until the data on the packet to be transmitted is determined. · Requests concatenated packet transmission.
10b	Transmit	Transmits data on the transmitted packet to the PHY.
11b	Reserved	Reserved.

7.4.4.1 LREQ

To request packet transmission, access to the PHY register, or acceleration control, the Link layer controller IC inputs a serial signal synchronized with SCLK to the LREQ pin.

The serial signal contains information on the request type, speed of the packet to be transmitted, and read/write command.

The length of the LREQ serial signal varies depending on the type of the request. It is 6 bits for acceleration control requests, 7 bits for bus requests, 9 bits for register read requests, and 17 bits for register write requests.

The serial signal must contain '0' as a stop bit at the end.

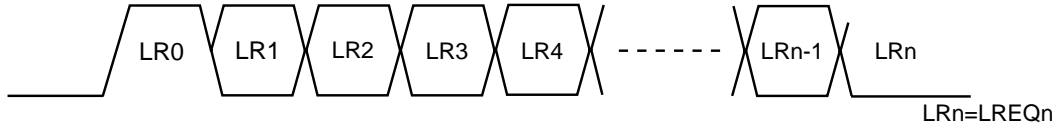


Figure 7.20 LREQ stream

A packet transmission request uses the 7-bit-long format as shown in Table 7.8.

Table 7.8 Request format

Bit(s)	Typ.	Description
0	Start Bit	Represents the start of transmission. Always '1'.
1 to 3	Request Type	Represents the request type as shown in Figure 7.13.
4 to 5	Request Speed	Represents the packet transmission speed.
6	Stop Bit	Represents the completion of transmission. Always '0'.

Table 7.9 Speed format

LREQ[4:5]	Data Rate
00	100Mbps
01	200Mbps
10	400Mbps
11	Reserved

A read PHY chip register request uses the 9-bit-long format as shown in Table 7.10. A write register request uses the 17-bit-long format as shown in Table 7.11.

Table 7.10 Read register format

Bit(s)	Typ.	Description
0	Start Bit	Represents the start of transmission. Always '1'.
1 to 3	Request Type	Represents the request type as shown in Figure 7.13.
4 to 7	Address	Represents the address of the PHY register to be transmitted.
8	Stop Bit	Represents the completion of transmission. Always '0'.

Table 7.11 Write register format

Bit(s)	Typ.	Description
0	Start Bit	Represents the start of transmission. Always '1'.
1 to 3	Request Type	Represents the request type as shown in Figure 7.13.
4 to 7	Address	Represents the address of the PHY register to which data is written.
8 to 15	Data	Represents the PHY register data to be written.
16	Stop	Represents the completion of transmission. Always '0'.

An acceleration control request uses the 6-bit-long format as shown in Table 7.12.

Table 7.12 Acceleration control format

Bit(s)	Typ.	Description
0	Start Bit	Represents the start of transmission. Always '1'.
1 to 3	Request Type	Represents the request type as shown in Figure 7.13.
4	Accelerate	When this bit is '0,' arbitration acceleration can be disabled. When this bit is '1,' arbitration acceleration can be enabled.
5	Stop Bit	Represents the completion of transmission. Always '0'.

Table 7.13 Request type

LREQ[1:3]	Typ.	Description
000	ImmReq	Immediate request
001	IsoReq	Isochronous request
010	PriReq	Priority request
011	FairReq	Fair request
100	RdReg	Read data from the configured register
101	WrReg	Write data in the configured register
110	AccCtrl	Represents that PHY arbitration acceleration is disabled/enabled.
111	Reserved	Reserved

With FairReq and PriReq, the Link layer controller IC must start issuing LREQ after at least 1 SCLK after CTL starts the Idle operation. When CTL starts the Receive operation during or after the Link layer controller IC's issuance of these requests, the SIR72900F00A cancels them. Therefore, the Link layer controller IC must issue these requests again next time CTL starts the Idle operation.

However, when the Enab_accel bit of PHY Register 5 is set to '1,' acceleration arbitration (Ack-Acceleration arbitration and Fly-by arbitration) is enabled, and an Ack packet (8-bit-long packet) is to be received, these requests are not canceled if the Receive operation starts.

The cycle master Link layer controller IC issues PriReq to transmit a cycle start packet.

The Link layer controller IC issues IsoReq to transmit an isochronous packet. IsoReq must be issued during or within eight SCLK cycles of transmission of a cycle start packet or an isochronous packet, or during or within four SCLK cycles of reception of such packets.

The SIR72900F00A clears IsoReq only when it wins arbitration and transmits Grant to the Link layer controller IC, it detects a subaction gap, or when a bus request occurs.

To transmit an Ack packet, ImmReq is issued during or within four SCLK cycles of reception of a Link packet. To satisfy ACK_RESPONSE_TIME, the Link layer controller IC must issue ImmReq immediately as it confirms the destination_ID of the received packet to check that the packet is sent to the node. As soon as the SIR72900F00A receives the packet, it acquires a bus, and the Link layer controller IC returns Grant. If the Link layer controller IC detects a CRC error, it must cancel the request rather than send data in response to the Grant. (See 7.4.4.3 Transmit.)

As soon as the reception of a register write request completes, the SIR72900F00A changes the data at the address. On receiving a register read request, the SIR72900F00A outputs the data at the address to the Link layer controller IC as a status transmission. If the output is interrupted by packet reception/transmission, the SIR72900F00A repeats the status output from the first bit until the output completes.

When the SIR72900F00A receives a bus request (FairReq, PriReq, IsoReq or ImmReq), it ignores the next bus request until the preceding request is canceled by packet reception, packet transmission, or subaction gap (for IsoReq and ImmReq only).

When the SIR72900F00A receives the next register read request before the preceding register read request completes, the operation becomes indefinite.

Any bus request is cleared by a bus reset.

The SIR72900F00A automatically sets an Accelerating bit with IsoReq, enabling acceleration arbitration.

7.4.4.2 Status output

The SIR72900F00A outputs information shown in Table 7.14 as a status output to the PHY/LINK interface. The SIR72900F00A asserts '01b' to the CTL pin and outputs information to the D[0:1] pin. The CTL pin outputs '01b' while the status output continues.

The SIR72900F00A usually outputs the first four bits (Arbitration Reset Gap, Subaction Gap, Bus Reset, and PHY interrupt) necessary for the Link state machine as a status output.

However, when it receives a register read request from the Link layer controller IC, it outputs all status information as a return value. In addition, when the SIR72900F00A has sent its Self-ID packet during the Self-ID period (when its Physical_ID has been determined), it automatically outputs the PHY register information on address '00h' containing its Physical_ID to the Link layer controller IC.

Status output may be interrupted by packet reception/transmission. When the status output is interrupted, the SIR72900F00A repeats the status output according to the following rules.

- The information that has been output before the interrupt is cleared and status output is not repeated.
- Status output starts with the S[0:1] bit and is done in the units of 4 bits/16 bits.

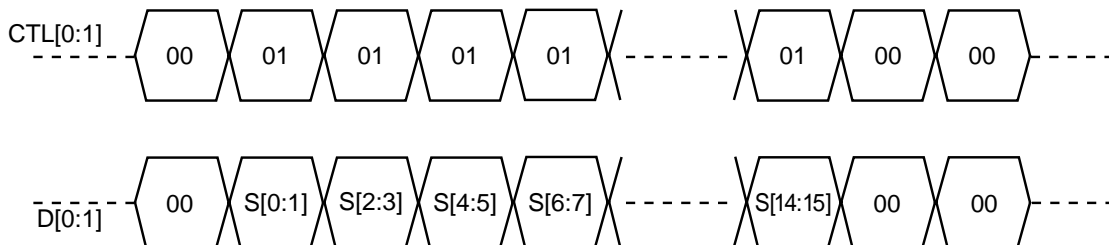


Figure 7.21 Status

Table 7.14 Status format

Bit(s)	Typ.	Description
0	Arbitration Reset Gap	Detects an Arbitration Reset Gap.
1	Subaction Gap	Detects a Subaction Gap.
2	Bus Reset	Detects a Bus Reset.
3	PHY Interrupt	Requests the host for an interrupt.
4 to 7	Address	PHY register address to which the status is returned
8 to 15	Data	Status data

The SIR72900F00A outputs a status as PHY Interrupt in the following cases.

- When it detects that the bus is looped.
- When it detects that the cable voltage has dropped.
- When the state machine of the SIR72900F00A has timed out.
- When the Port_event bit has changed to '1'.

7.4.4.3 Transmit

On receiving a bus request from the Link layer controller IC, the SIR72900F00A performs arbitration. When the SIR72900F00A wins the arbitration, it returns Grant ('11b') for one SCLK cycle and Idle for another SCLK cycle as Grant to the CTL pin of the Link layer controller IC

Then the Link layer controller IC inputs Transmit ('10b') or Hold ('01b') to CTL and controls the PHY/LINK interface. However, to prevent data conflict on the CTL bus, the SIR72900F00A permits the Link layer controller IC to input Idle ('00b') for 1SCLK before inputting Transmit or Hold. (See Figure 7.22.)

The Link layer controller IC can input Hold ('01b') to CTL to reserve the bus until the data to be transmitted is prepared, but the hold time must not exceed the MAX_HOLD time. Then it inputs Transmit ('10b') to CTL to show the valid range of the transmitted data.

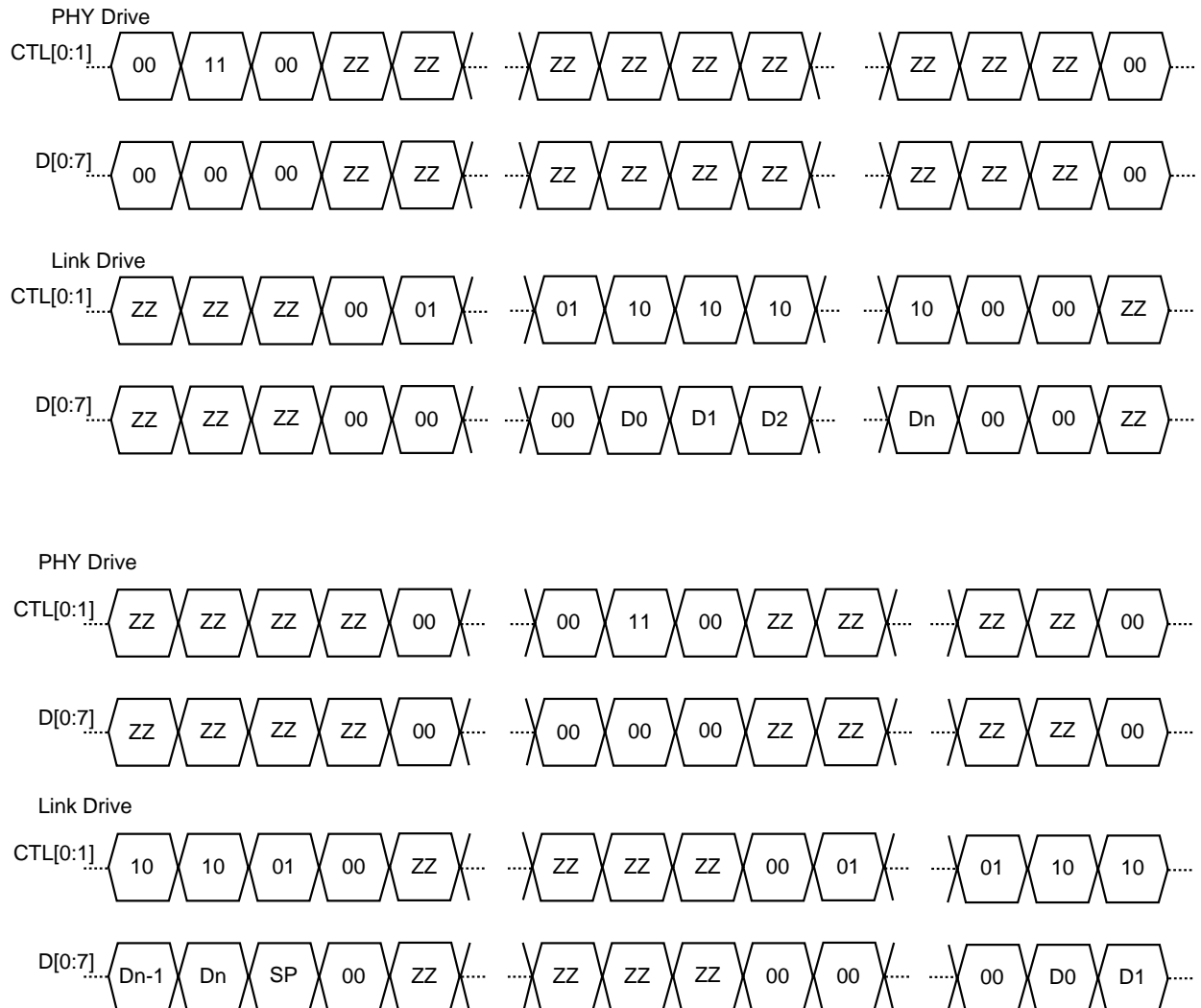


Figure 7.22 Transmit

Having input the final bit of the packet data, the Link layer controller IC inputs Idle ('00b') or Hold ('01b') for one SCLK cycle and Idle for another SCLK cycle. Then the SIR72900F00A takes over the control of the PHY/LINK interface. This Hold ('01b') bit ensures that the Link layer controller IC transmits the next packet without giving up the serial bus (concatenated packet). On detecting a Hold bit, the SIR72900F00A outputs Transmit again to the CTL pin of the Link layer controller IC after the MIN_PACKET_SEPARATION time. The Link layer controller IC then transmits packets. The Hold operation is used to transmit a response packet after an Ack packet or to transmit multiple isochronous packets within the same isochronous cycle (subaction concatenation).

In transmitting a Concatenated packet, the SIR72900F00A determines the Concatenated packet transmission speed according to the Enab_multi bit of PHY Register 5.

When the Enab_multi bit is set to '0,' the SIR72900F00A recognizes that the transmission speed for the second and later packets is the same as that for the first packet.

On the other hand, when the Enab_multi bit is set to '1,' the SIR72900F00A recognizes the transmission speed for the Concatenated packet according to the SP value input to D while Hold ('01b') is being input to CTL. Table 7.12 shows the meaning of the SP value.

However, the IEEE 1394 standards defines a transmission speed limit for Concatenated packets, prohibiting the transmission of a Concatenated packet at a speed of S100 after packet transmission at S200 or higher.

To observe the speed limit, when the SIR72900F00A receives a request for 100-Mbps Concatenated packet transmission following a request for packet transmission at 200 Mbps or higher, it gives up the 1394 bus and performs arbitration in an attempt to transmit the 100-Mbps packet as a Single packet. Therefore, this 100-Mbps Concatenated packet transmission request from the Link layer controller IC will be handled as a bus request that occurs in ordinary LREQ, which may cause the IC to return CTL other than Grant (the request may be canceled).

Packet transmission can be cancelled in the following two ways.

After the Link layer controller IC takes control of the PHY/LINK interface, input Idle ('00b') for three SCLK cycles to give up the interface. Or, after the Link layer controller IC inputs Hold ('01b') to hold the bus, input Idle for two SCLK cycles to give up the interface.

Empty packets are output to the serial bus.

7.4.4.4 Receive

On receiving a packet, the SIR72900F00A outputs Receive ('10b') to the CTL pin, and 'H' to the D pin of the Link layer controller IC. Then the SIR72900F00A outputs a speed code (SP) to start packet data output. The SIR72900F00A continues to assert Receive ('10b') to the CTL terminal until the data reception completes. Then the SIR72900F00A asserts Idle ('00b') to declare that the packet reception has completed.

As Receive operation, the SIR72900F00A outputs to the Link interface the Self-ID packets it transmits during the Self-ID period.

Also as Receive operation, the SIR72900F00A outputs to the Link interface, the response packets to the Extended PHY packet sent to the node.

Once asserting Receive, the SIR72900F00A may terminate reception operation without outputting packet data.

If the Link layer controller IC supports a transmission speed of 100 Mbps only, it must confirm the speed code (SP) to make sure that packet data received at 200 or 400 Mbps is ignored.

If the Link layer controller IC supports transmission speeds of 100 and 200 Mbps only, it must confirm the speed code (SP) to make sure that packet data received at 400 Mbps is ignored.

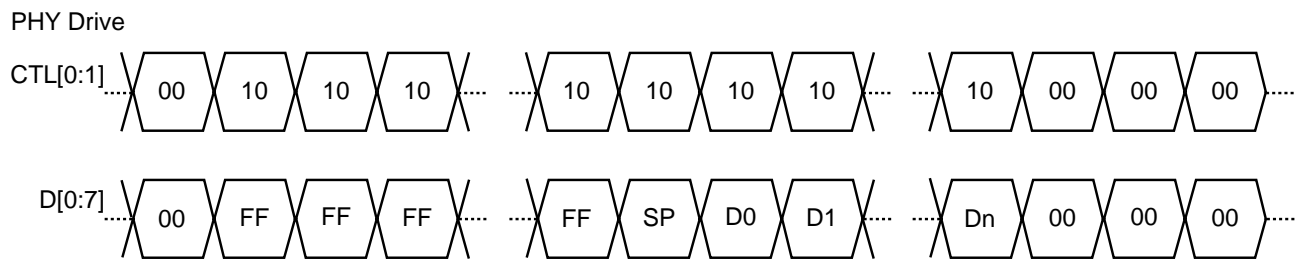


Figure 7.23 Receive

Table 7.15 Speed code (SP[0:7])

D[0:7]	Data Rate
00xxxxxxb	100Mbps
0100xxxxb	200Mbps
01010000b	400Mbps

7.5 Oscillating Circuit

The SIR72900F00A carries a built-in crystal oscillation circuit. The output frequency of the external quartz oscillator should be 24.576MHz (80ppm (including the temperature characteristics)).

As the quartz oscillator, we recommend our MA-406 (24.576MHz., CL = 10pF) to secure the necessary frequency precision.

Position the quartz oscillator and capacitor in the neighborhood of this IC and maintain the wiring pattern as short as possible.

Fig. 7.24 shows an example of external connection when using the MA-406.

* The SIR72900F00A does not support external oscillator inputs.

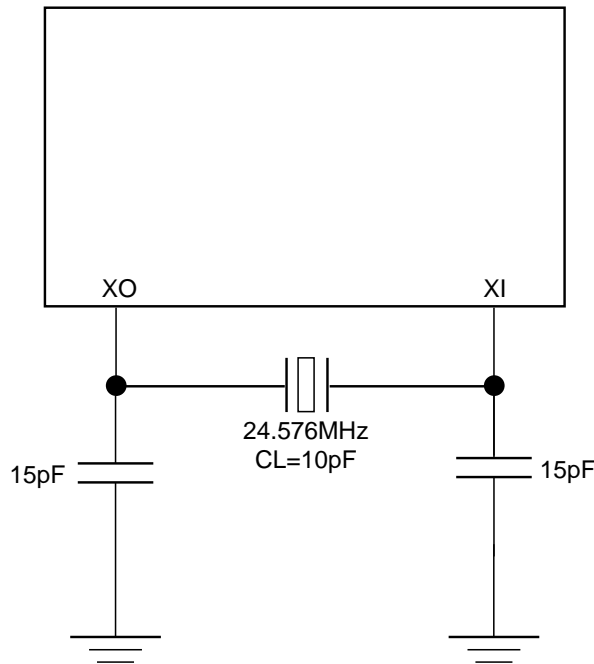


Figure 7.24 Connection of external oscillating circuit

7.6 Power Down

The SIR72900F00A carries the power down mode. The power down mode can be obtained by inputting "1" into the PD pin and under the power down mode, all the internal functions will stop. The power down mode can be cancelled by changing the input to the PD pin from "1" to "0" and, a few ms (the time required for initialization) after the PD pin input became "0", normal operation will be restored.

8. ELECTRICAL CHARACTERISTICS

8.1 Absolute Maximum Ratings

Table 8.1 Absolute maximum ratings

(V_{SS}=0V)

Item	Symbol	Rating	Unit
Operating voltage	V _{DD}	-0.3 to 4.0	V
Input voltage	V _{IN}	-0.3 to V _{DD} +0.5	V
Output voltage	V _{OUT}	-0.3 to V _{DD} +0.5	V
Output current/pin	I _{OUT}	±30	mA
Storage temperatur	T _{STG}	-65 to 150	°C

8.2 Recommended Operating Conditions

Table 8.2 Recommended operating conditions

Item	Symbol	Min.	Typ.	Max.	Unit
Operating voltage	V _{DD}	3.00	3.30	3.60	V
Input voltage	V _{IN}	V _{SS}	-	V _{DD}	V
Operating temperature	T _a	0	-	70	°C

8.3 DC Characteristics

(AVDD, PVDD, OSCVDD, VDD=3.3V±0.3V, Ta=0 to 70°C)

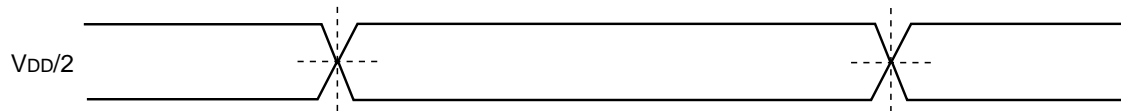
Item	Symbol	Condition	Min.	Typ.	Max.	Unit
Power supply current (S400 packet transmission together with port 0.1)						
Supply current	I _{DD}	AVDD=3.6V PVDD=3.6V OSCVDD=3.6V VDD=3.6V			137	mA
Static current						
Supply current	I _{DDSA}	V _{IN} =AVDD or PVDD or OSCVDD or VDD or V _{SS} AVDD=4.0V PVDD=4.0V OSCVDD=4.0V VDD=4.0V			5.5	μA
Input leak Pin name: LREQ,CTL0,CTL1,D0 to 7,PD,LPS,BCLKON,XDIRECT,CPS,TPA*,TPB*,XRST,XI						
Input leak current	I _L	AVDD=3.6V PVDD=3.6V VDD=3.6V V _{IH} =AVDD, PVDD, OSCVDD, VDD V _{IL} =AVDD, PVDD, OSCVDD, VDD	-1		1	μA
Input characteristics (CMOS) Pin name: PD,PS1 to 3,XTEST_MODE,TEST0,TEST1						
High level input voltage	V _{IH}	VDD=3.6V	1.9			V
Low level input voltage	V _{IL}	VDD=3.0V			0.9	V
Schmidt input characteristics 1 Pin name: XRST						
High level trigger voltage	V _{T1+}	VDD=3.6V	1.2		2.3	V
Low level trigger voltage	V _{T1-}	VDD=3.0V	0.7		1.7	V
Schmidt input characteristics 2 Pin name: LREQ,CTL0,CTL1,D0 to 7,LPS						
High level trigger voltage	V _{T2+}	VDD=3.6V	2.1		2.7	V
Low level trigger voltage	V _{T2-}	VDD=3.0V	0.6		1.2	V
CPS input characteristics Pin name: CPS						
High level trigger voltage	V _{TCPS+}	VDD=3.6V	1.36		2.0	V
High level trigger voltage	V _{TCPS-}	VDD=3.0V	1.16		1.68	V
Input pull up characteristics Pin name: XRST						
Pull up resistor	R _{PLU2}	VDD=3.0V V _{IL} =V _{SS}	16.8		46.4	μA

Item	Symbol	Condition	Min.	Typ.	Max.	Unit
Output characteristics 1 Pin name: BNC						
High level output voltage	V _{OH1}	V _{DD} =3.0V I _{OH} =-2mA	V _{DD} -0.4			V
Low level output voltage	V _{OL1}	V _{DD} =3.0V I _{OL} =2mA			0.4	V
Output characteristics 2 Pin name: BCLKON, SCLK, CTL0,CTL1, D0 to7						
High level output voltage	V _{OH2}	V _{DD} =3.0V I _{OH} =-6mA	V _{DD} -0.4			V
Low level output voltage	V _{OL2}	V _{DD} =3.0V I _{OL} =6mA			0.4	V
Output characteristics 3 Pin name: SCLK,R1,TPBIAS1,TPBIAS2,FC1						
Off-state leak current	I _{OZ}	V _{DD} =3.6V V _{OH} =V _{DD} V _{OL} =V _{SS}	-1		1	μA
Bus hold characteristics Pin name: LREQ,CTL0,CTL1, D0 to 7,LPS,						
High level hold current	I _{BHH}	V _{DD} =3.0V V _{IN} =2.6V	-0.3			mA
Low level hold current	I _{BHL}	V _{DD} =3.0V V _{IN} =0.4			0.3	mA
High level drive current	I _{BHHO}	V _{DD} =3.6V I _{IL} =-0.9mA			V _{SS} +0.4	V
Low level drive current	I _{BHLO}	V _{DD} =3.6V I _{IL} =0.9mA	V _{DD} -0.4			V

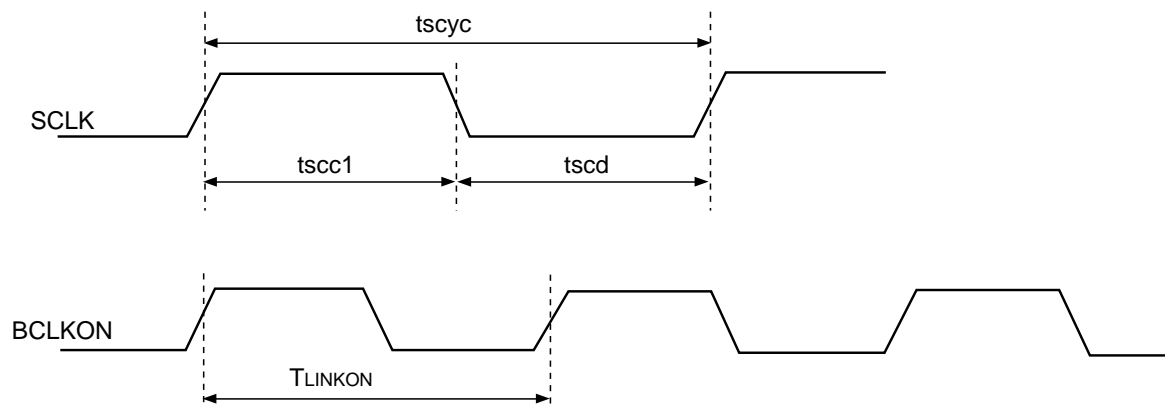
Item	Symbol	Condition	Min.	Typ.	Max.	Unit
Cable interface						
Common mode input voltage	Vic	TPB cable input power supply node	1.03		2.015	V
Common mode input voltage	Vic	TPB cable input non-power supply node	0.523		2.515	
Common mode output voltage	Voc		1.665	1.85	2.015	V
Common mode output current	Iocs1	S100	-0.81		0.44	mA
Common mode output current	Iocs2	S200	-4.84		-2.53	mA
Common mode output current	Iocs4	S400	-12.4		-8.1	mA
Differential input voltage amplitude			118		265	mV
Differential output voltage amplitude			172		265	mV
Arb comparator threshold voltage (+)			89		168	mV
Arb comparator threshold voltage (-)			-168		-89	mV
S200 speed signal threshold voltage			Voc-273		Voc-138	mV
S400 speed signal threshold voltage			Voc-701		Voc-441	mV
BIAS detection threshold voltage			0.6		1	V
Connection detection threshold voltage			0.6		1	V
Cable power detection threshold voltage			5.9		9.4	V

8.4 AC Characteristics

8.4.1 DC judgment level

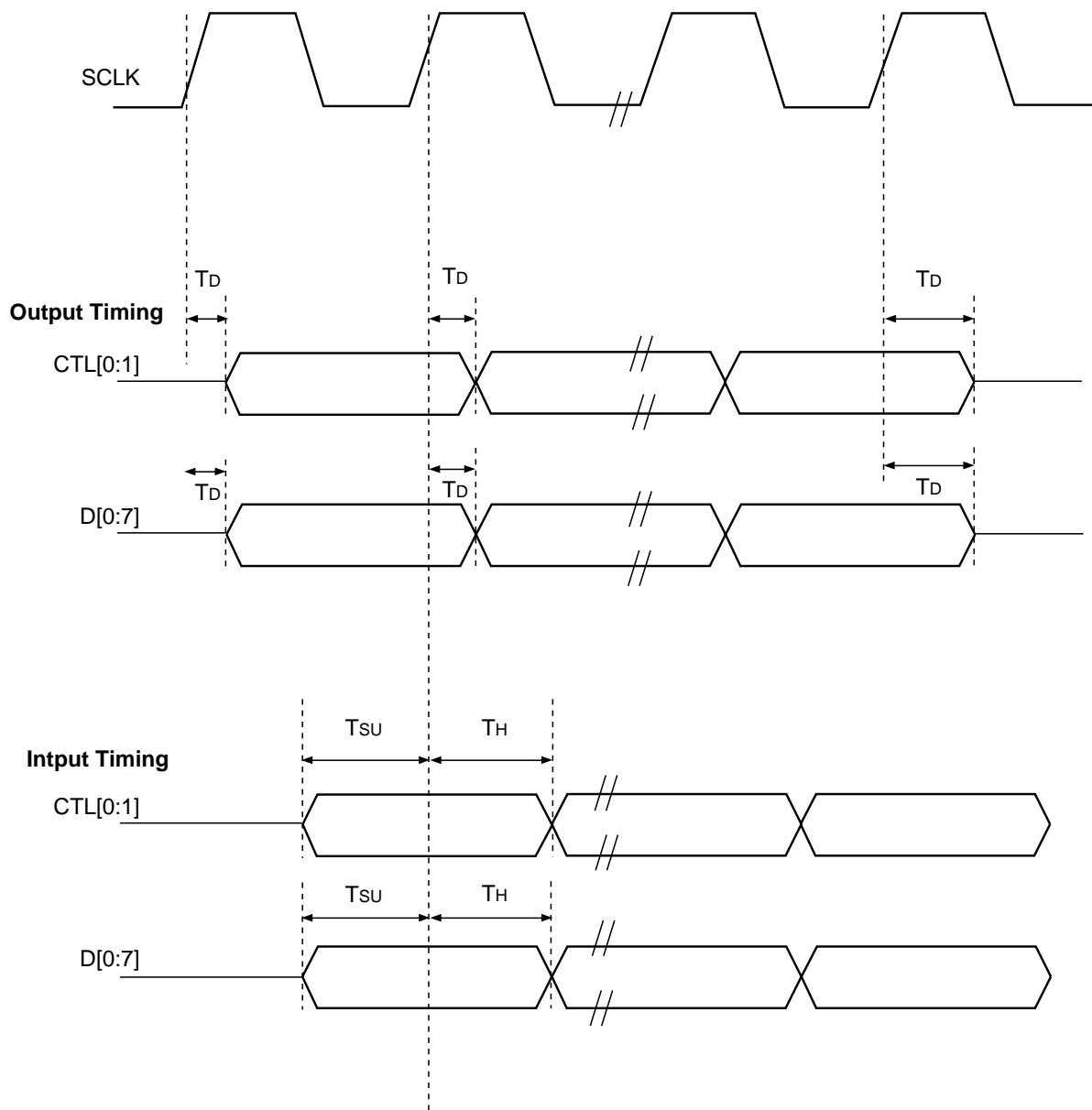


8.4.2 Clock timing



Symbol		Min.	Typ.	Max.	Unit
t_{scyc}	SCLK cycle	20.343	20.345	20.346	ns
t_{scc1}	SCLKHIGH pulse width	9.16		11.18	ns
t_{scd}	SCLK LOW pulse width	9.16		11.18	ns
T_{LINKON}	BCLKON cycle	125		250	ns

8.4.3 PHY/LINK interface timing

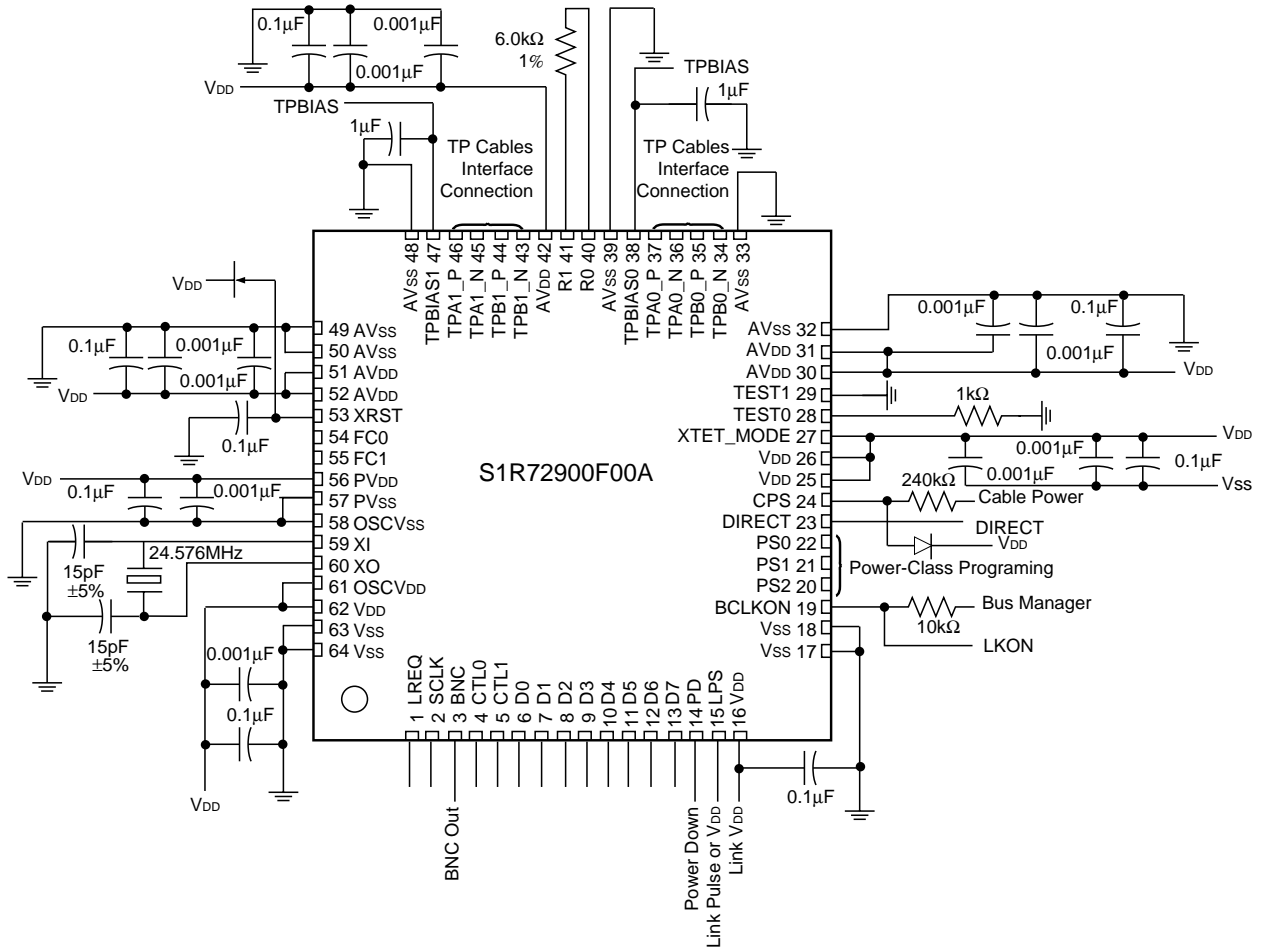


Symbol		Min.	Typ.	Max.	Unit
T_D	CTL. D delay time	0.5	1.9	13.5	ns
T_{SU}	CTL. D. LREQ setup time	7	18		ns
T_H	CTL. D. LREQ hold time	0	1.3		ns

8.4.4 Cable interface timing

Symbol		Min.	Typ.	Max.	Unit
$T_{TJITTER}$	T_{pA}, T_{pB} transmission jitter	-150		150	ps
T_{TSKEW}	T_{pA}/T_{pB} transmission skew	-100		100	ps
T_{TRF}	T_{pA}/T_{pB} rise time and fall time	0.5		1.2	ns

9. EXAMPLE OF EXTERNAL CONNECTION



EPSON International Sales Operations

AMERICA

EPSON ELECTRONICS AMERICA, INC. HEADQUARTERS

150 River Oaks Parkway
San Jose, CA 95134, U.S.A.
Phone : +1-408-922-0200 Fax : +1-408-922-0238

SALES OFFICES

West

1960 E. Grand Avenue
El Segundo, CA 90245, U.S.A.
Phone : +1-310-955-5300 Fax : +1-310-955-5400

Central

101 Virginia Street, Suite 290
Crystal Lake, IL 60014, U.S.A.
Phone : +1-815-455-7630 Fax : +1-815-455-7633

Northeast

301 Edgewater Place, Suite 120
Wakefield, MA 01880, U.S.A.
Phone : +1-781-246-3600 Fax : +1-781-246-5443

Southeast

3010 Royal Blvd. South, Suite 170
Alpharetta, GA 30005, U.S.A.
Phone : +1-877-EEA-0020 Fax : +1-770-777-2637

EUROPE

EPSON EUROPE ELECTRONICS GmbH HEADQUARTERS

Riesstrasse 15
80992 Munich, GERMANY
Phone : +49- (0) 89-14005-0 Fax : +49- (0) 89-14005-110

SALES OFFICE

Altstadtstrasse 176
51379 Leverkusen, GERMANY
Phone : +49- (0) 2171-5045-0 Fax : +49- (0) 2171-5045-10

UK BRANCH OFFICE

Unit 2.4, Doncastle House, Doncastle Road
Bracknell, Berkshire RG12 8PE, ENGLAND
Phone : +44- (0) 1344-381700 Fax : +44- (0) 1344-381701

FRENCH BRANCH OFFICE

1 Avenue de l' Atlantique, LP 915 Les Conquerants
Z.A. de Courtaboeuf 2, F-91976 Les Ulis Cedex, FRANCE
Phone : +33- (0) 1-64862350 Fax : +33- (0) 1-64862355

BARCELONA BRANCH OFFICE

Barcelona Design Center
Edificio Testa, Avda. Alcalde Barrils num. 64-68
E-08190 Sant Cugat del Vallès, SPAIN
Phone : +34-93-544-2490 Fax : +34-93-544-2491

ASIA

EPSON (CHINA) CO., LTD.

23F, Beijing Silver Tower 2# North RD DongSanHuan
ChaoYang District, Beijing, CHINA
Phone : 64106655 Fax : 64107319

SHANGHAI BRANCH

4F, Bldg., 27, No. 69, Gui Jing Road
Caohejing, Shanghai, CHINA
Phone : 21-6485-5552 Fax : 21-6485-0775

EPSON HONG KONG LTD.

20/F., Harbour Centre, 25 Harbour Road
Wanchai, Hong Kong
Phone : +852-2585-4600 Fax : +852-2827-4346
Telex : 65542 EPSCO HX

EPSON TAIWAN TECHNOLOGY & TRADING LTD.

10F, No. 287, Nanking East Road, Sec. 3
Taipei
Phone : 02-2717-7360 Fax : 02-2712-9164
Telex : 24444 EPSONTB

HSINCHU OFFICE

13F-3, No.295, Kuang-Fu Road, Sec. 2
HsinChu 300
Phone : 03-573-9900 Fax : 03-573-9169

EPSON SINGAPORE PTE., LTD.

No. 1 Temasek Avenue, #36-00
Millenia Tower, SINGAPORE 039192
Phone : +65-337-7911 Fax : +65-334-2716

SEIKO EPSON CORPORATION KOREA OFFICE

50F, KLI 63 Bldg., 60 Yoido-dong
Youngdeungpo-Ku, Seoul, 150-763, KOREA
Phone : 02-784-6027 Fax : 02-767-3677

SEIKO EPSON CORPORATION ELECTRONIC DEVICES MARKETING DIVISION

Electronic Device Marketing Department IC Marketing & Engineering Group

421-8, Hino, Hino-shi, Tokyo 191-8501, JAPAN
Phone: +81-(0)42-587-5816 Fax: +81-(0)42-587-5624

ED International Marketing Department Europe & U.S.A.

421-8, Hino, Hino-shi, Tokyo 191-8501, JAPAN
Phone: +81-(0)42-587-5812 Fax: +81-(0)42-587-5564

ED International Marketing Department Asia

421-8, Hino, Hino-shi, Tokyo 191-8501, JAPAN
Phone: +81-(0)42-587-5814 Fax: +81-(0)42-587-5110



In pursuit of **"Saving" Technology**, Epson electronic devices.
Our lineup of semiconductors, liquid crystal displays and quartz devices
assists in creating the products of our customers' dreams.

Epson IS energy savings.

SEIKO EPSON CORPORATION
ELECTRONIC DEVICES MARKETING DIVISION

■ EPSON Electronic Devices Website

<http://www.epson.co.jp/device/>