

Characteristics

C_N	Δ	3x 30,7 μ F	+10/-5 %
U_N		AC 600 V	
f_N		50 Hz	60 Hz
Q_N		10,4 kvar	12,5 kvar
I_N		3x 10 A	12 A
$\tan\delta_0$		0,2 W/kvar (dielectric)	

Maximum ratings

U_{max}	AC 660 V, 8 h daily
	AC 780 V, 1 min
$I_{r(40)}$	3x 40 A ($\Theta_A = 60^\circ\text{C}$, U_N)
I_s	4500 A
$(du/dt)_{max}$	35 V/ μ s
$(du/dt)_s$	85 V/ μ s

Test data

U_{TT}	AC 1300 V, 10 s
U_{TC}	AC 3000 V, 10 s

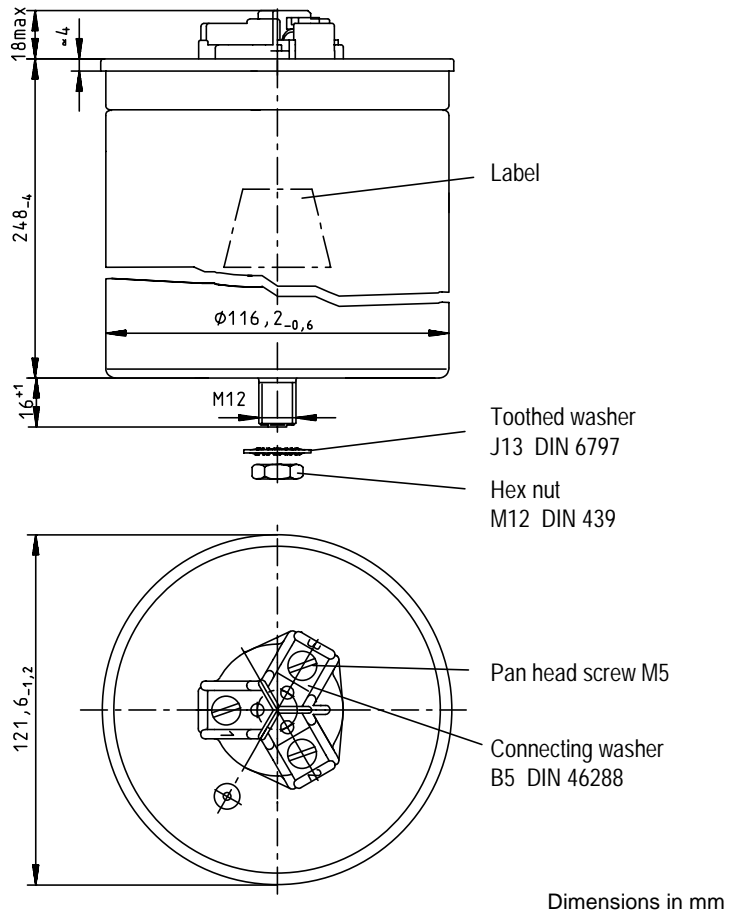
$\tan\delta$ (50 Hz) $\leq 0,5$ W/kvar (total)

Climatic category

Θ_{min}	-25 °C
Θ_{max}	+70 °C
Humidity	Max. relative Humidity ≤ 95 %
Θ_{stg}	-40 bis +70 °C

Life expectancy

t_{LD}	100 000 h
----------	-----------



Design data

Dimensions $\phi \times l$	121,6 x 248 mm (4,79 x 9,76 in)
Approx. weight	3,1 kg (6,8 lb)
Impregnation	Oil
Fixing	Threaded bolt M12
Mounting hole	14 mm (0,55 in)
Max. torque	10 Nm
Terminals	Screw clamps
Terminal cross section	6 mm ² (9 AWG)
Creepage distance	12,7 mm (0,50 in)
Clearance	9,6 mm (0,38 in)
Overpressure disconnecter	