

Characteristics

C_N	Δ	3x 20,7 μ F \pm 5 %	
U_N		AC 800 V	
f_N		50 Hz	60 Hz
Q_N		12,5 kvar	15 kvar
I_N		3x 9 A	10,8 A

$\tan\delta_0$ 0,2 W/kvar (dielectric)

Maximum ratings

U_{max}	AC 880 V, 8 h daily
	AC 1040 V, 1 min
I_{max}	3x 25 A ($\Theta_A = 40^\circ\text{C}$, U_N)
I_s	3600 A
$(du/dt)_{max}$	40 V/ μ s
$(du/dt)_s$	100 V/ μ s

Test data

U_{TT}	AC 1720 V, 10 s
U_{TC}	AC 6000 V, 10 s

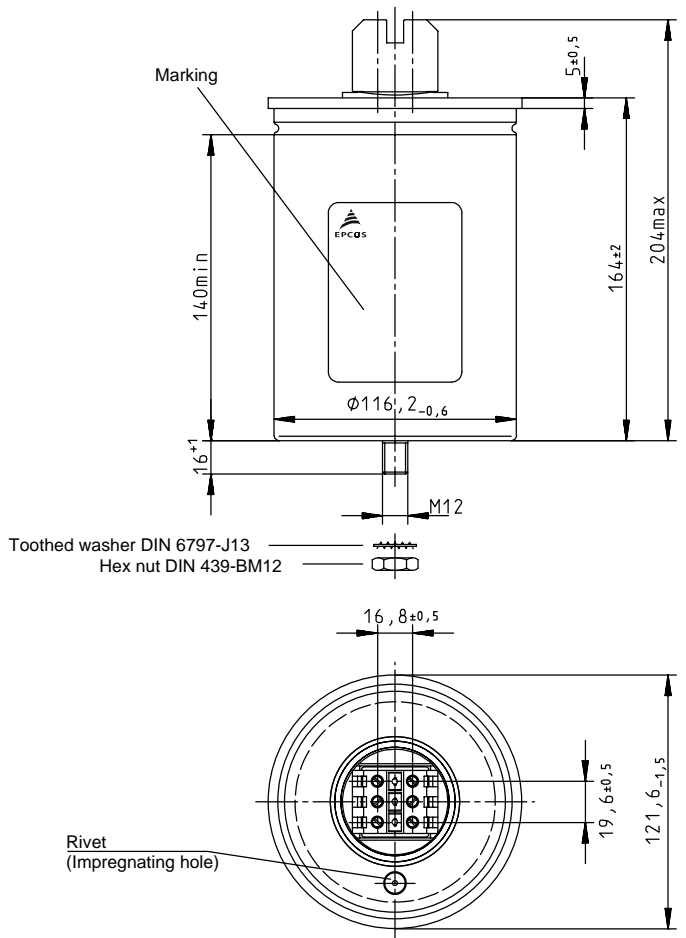
$\tan\delta$ (50 Hz) \leq 0,3 W/kvar (total)

Climatic category -40/D

Θ_{min}	-40 °C
Θ_{max}	+55 °C
Humidity	Max. relative Humidity \leq 95 %
Θ_{stg}	-55 bis +70 °C

Life expectancy

t_{LD}	130 000 h
----------	-----------



Design data

Dimensions $\varnothing \times l$	121,6 x 164 mm (4,79 x 6,46 in)
Approx. weight	1,4 kg (3,1 lb)
Impregnation	Gas
Fixing	Threaded bolt M12
Mounting hole	14 mm (0,55 in)
Max. torque	10 Nm
Terminals	Isolated terminal, IP20
Max. torque	1,2 Nm
Terminal cross section	16 mm ² (5 AWG)
Creepage distance	12,7 mm (0,50 in)
Clearance	9,6 mm (0,38 in)
Overpressure disconnecter	
Any mounting position possible	

Remarks

Natural cooling