

APPLICATIONS

- Inverse Parallel Or Series Connected Diode
- Power Supplies
- High Frequency Applications

KEY PARAMETERS

V_{RRM}	1600V
$I_{F(AV)}$	70A
I_{FSM}	700A
Q_r	26μC
t_{rr}	915ns

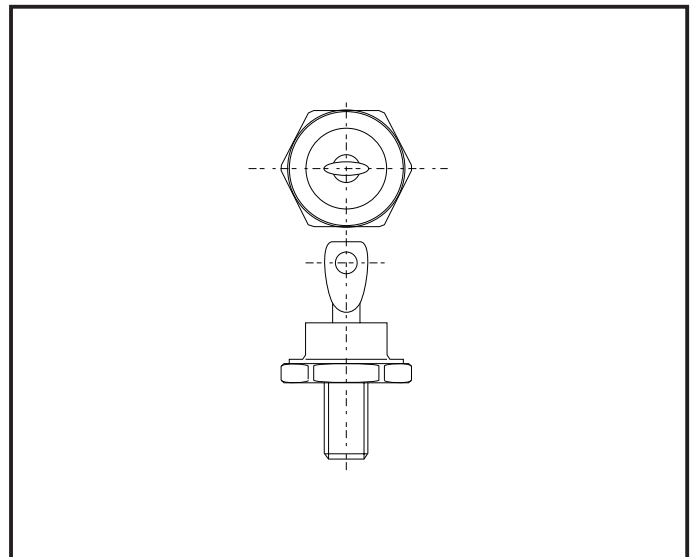
FEATURES

- Glass Passivation
- Fast Recovery Characteristics
- High Voltage Capabilities

VOLTAGE RATINGS

Type Number	Repetitive Peak Reverse Voltage V_{RRM} V	Conditions
MF70-1600	1600	$V_{RSM} = V_{RRM} + 100V$
MF70-1400	1400	
MF70-1200	1200	

Lower voltage grades available.
For stud anode add suffix 'R' to type number.



Outline type code: DO5.
See Package Details for further information.

CURRENT RATINGS

Symbol	Parameter	Conditions	Max.	Units
$I_{F(AV)}$	Mean forward current	Half wave resistive load, $T_{case} = 75^{\circ}C$	70	A
$I_{F(RMS)}$	RMS value	$T_{case} = 75^{\circ}C$	110	A
I_F	Continuous (direct) forward current	$T_{case} = 75^{\circ}C$	90	A

MF70

SURGE RATINGS

Symbol	Parameter	Conditions	Max.	Units
I_{FSM}	Surge (non-repetitive) forward current	10ms half sine; with 100% V_{RRM} , $T_j = 125^\circ\text{C}$	700	A
I^2t	I^2t for fusing	10ms half sine; $T_j = 125^\circ\text{C}$	2450	A^2s

THERMAL AND MECHANICAL DATA

Symbol	Parameter	Conditions	Min.	Max.	Units
$R_{th(j-c)}$	Thermal resistance - junction to case	dc	-	0.37	$^\circ\text{C}/\text{W}$
$R_{th(c-h)}$	Thermal resistance - case to heatsink	Mounting torque 3.5Nm with mounting compound	-	0.2	$^\circ\text{C}/\text{W}$
T_{vj}	Virtual junction temperature	Forward (conducting)	-	125	$^\circ\text{C}$
		Reverse (blocking)	-	125	$^\circ\text{C}$
T_{stg}	Storage temperature range		-55	125	$^\circ\text{C}$
-	Mounting torque	Use torque wrench	3.2	3.8	Nm

CHARACTERISTICS

Symbol	Parameter	Conditions	Typ.	Max.	Units
V_{FM}	Forward voltage	At 210A peak, $T_{case} = 25^\circ\text{C}$	-	2.0	V
I_{RM}	Peak reverse current	At V_{RRM} , $T_{case} = 100^\circ\text{C}$	-	10	mA
t_{rr}	Reverse recovery time	$I_F = 1\text{A}$, $di_{RR}/dt = 25\text{A}/\mu\text{s}$ $T_{case} = 25^\circ\text{C}$, $V_R = 100\text{V}$	-	300	ns
Q_r	Recovered charge	$I_F = 100\text{A}$, $di_{RR}/dt = 100\text{A}/\mu\text{s}$	-	26	μC
t_{rr}	Reverse recovery time	$T_{case} = 25^\circ\text{C}$, $V_R = 100\text{V}$	-	915	ns
V_{TO}	Threshold voltage	At $T_{vj} = 125^\circ\text{C}$	-	1.3	V
r_T	Slope resistance	At $T_{vj} = 125^\circ\text{C}$	-	3.34	$\text{m}\Omega$
V_{FRM}	Forward recovery voltage	$di/dt = 1000\text{A}/\mu\text{s}$, $T_j = 125^\circ\text{C}$	80	-	V

CURVES

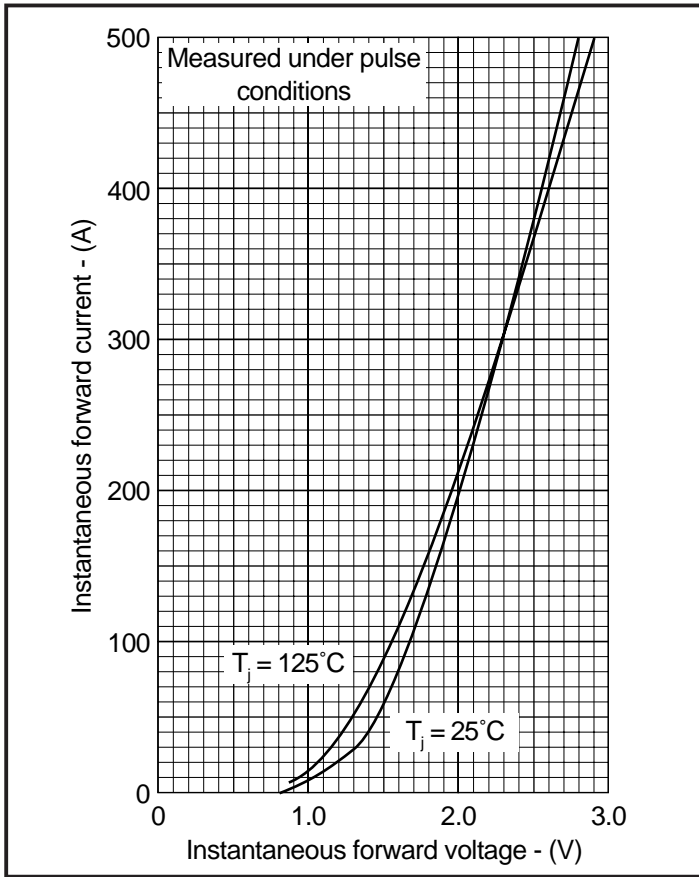


Fig.1 Maximum (limit) forward characteristics

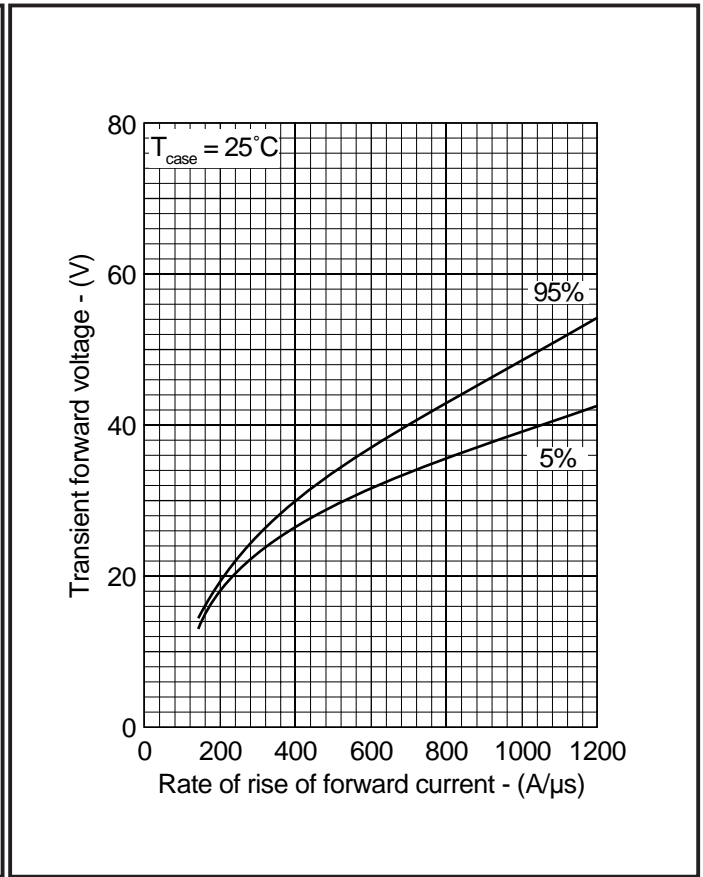


Fig.2 Forward recovery voltage vs rate of rise of forward voltage

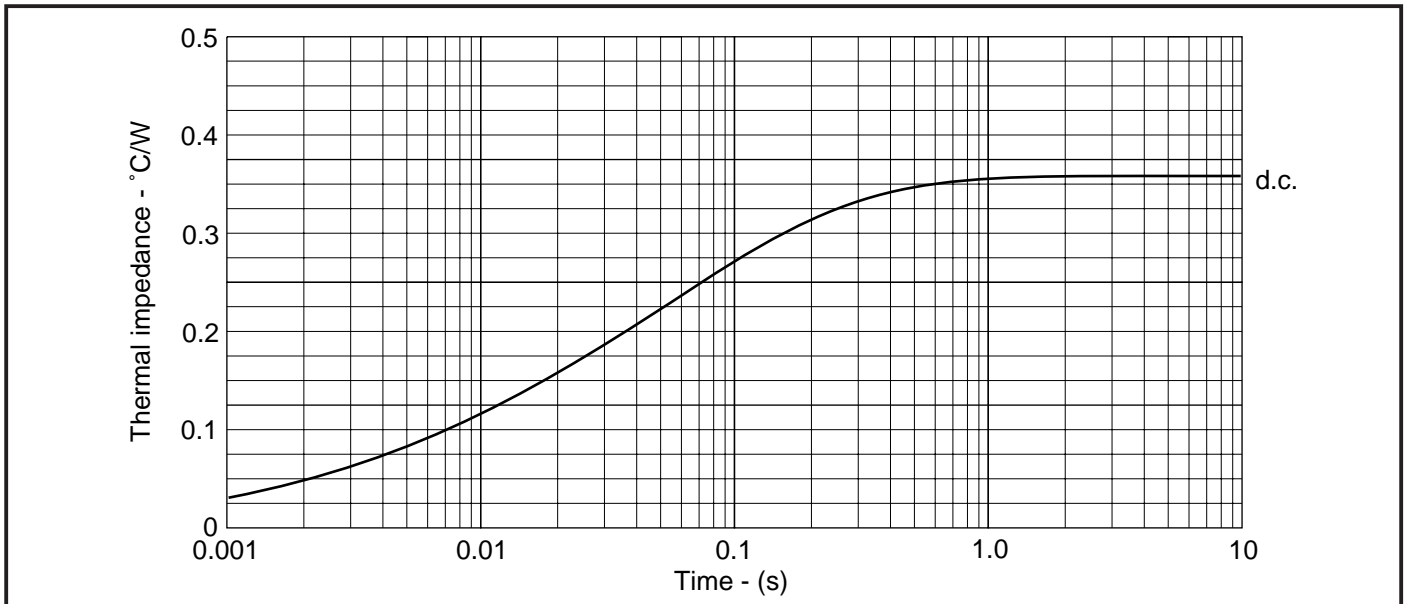


Fig.3 Maximum transient thermal impedance - junction to case

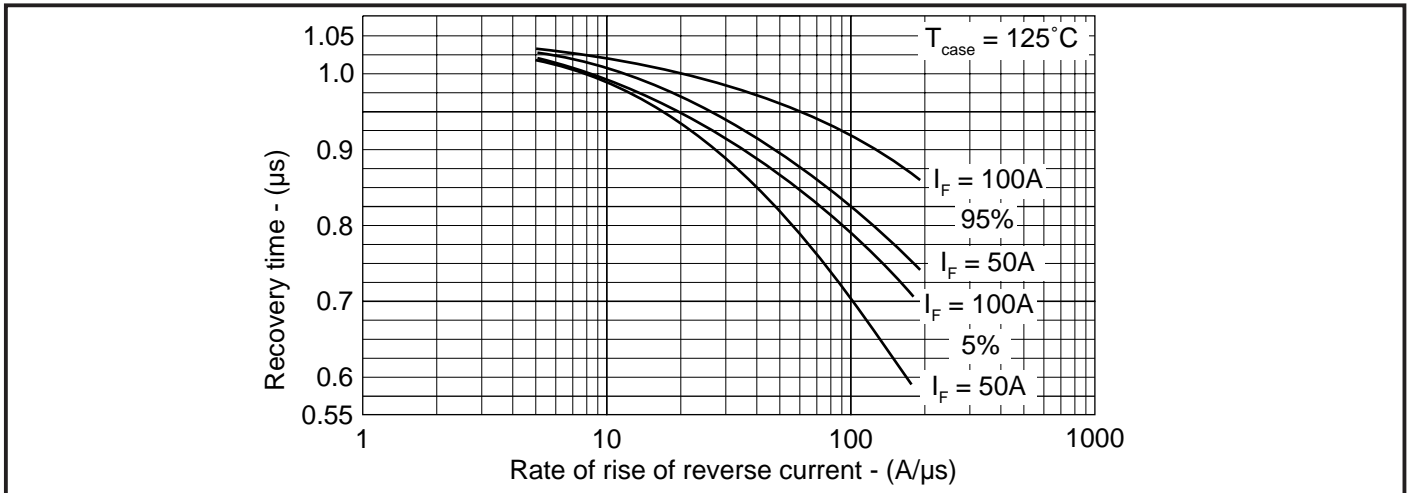


Fig.4 Recovery time vs dI_R/dt

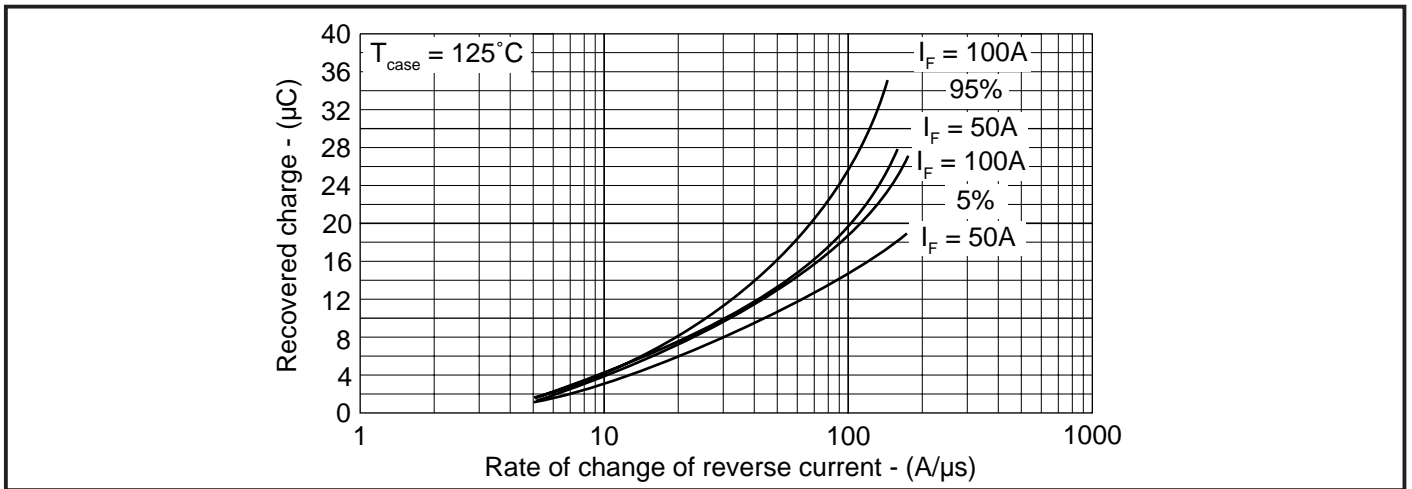


Fig.5 Recovered charge vs dI_R/dt

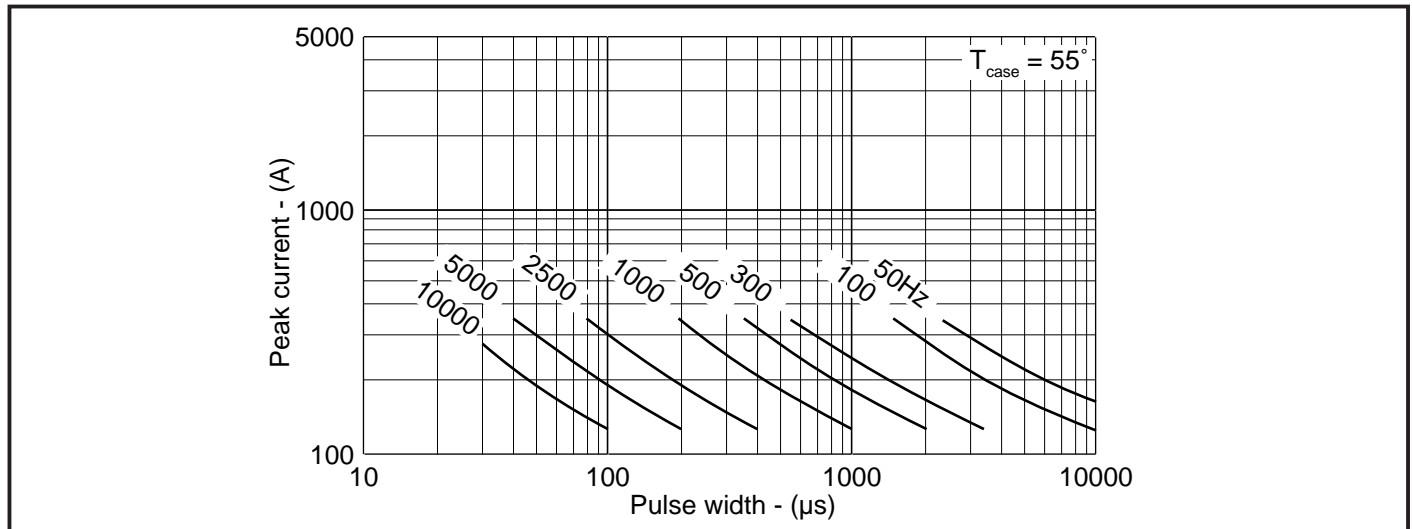


Fig.6 Frequency curves - square waveform

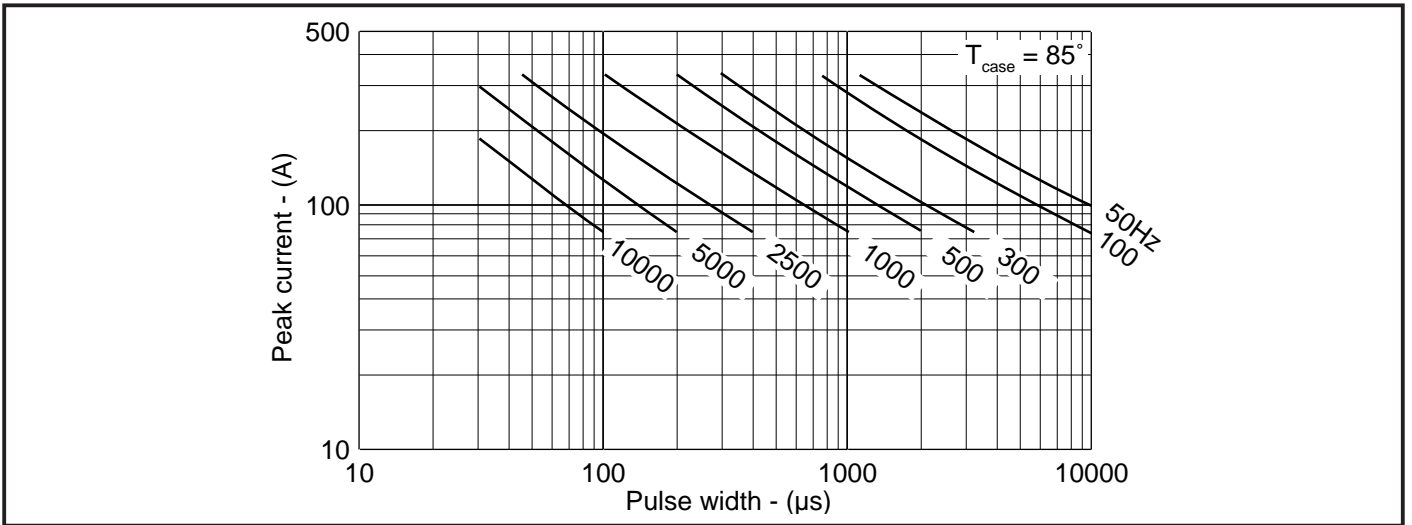


Fig.7 Frequency curves - square waveform

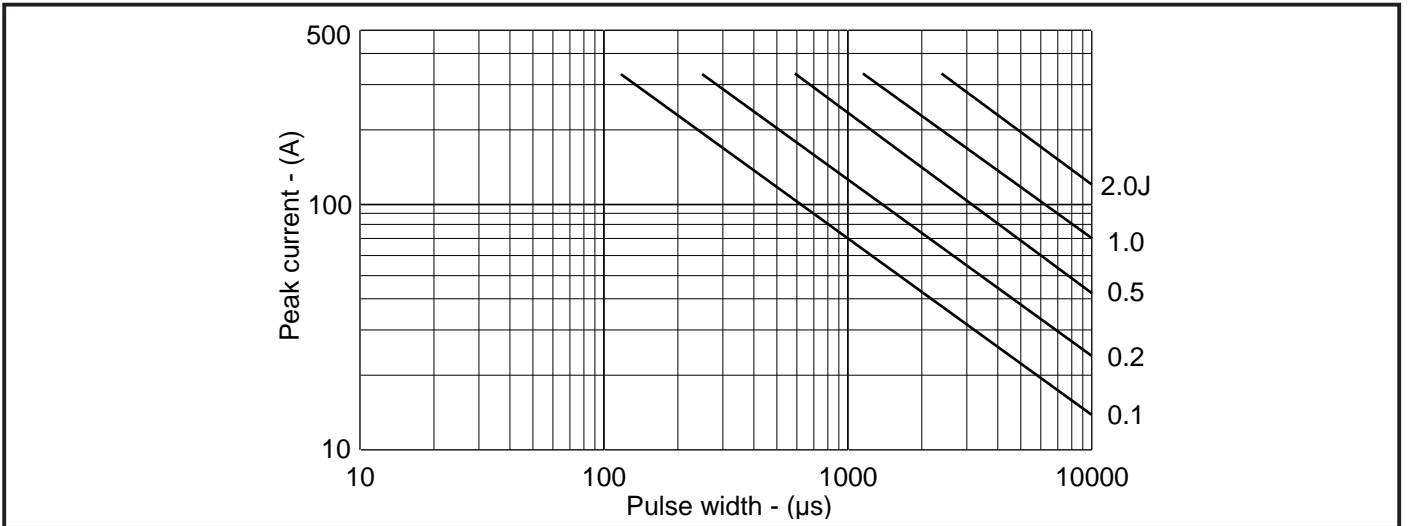


Fig.8 Energy per pulse - square waveform

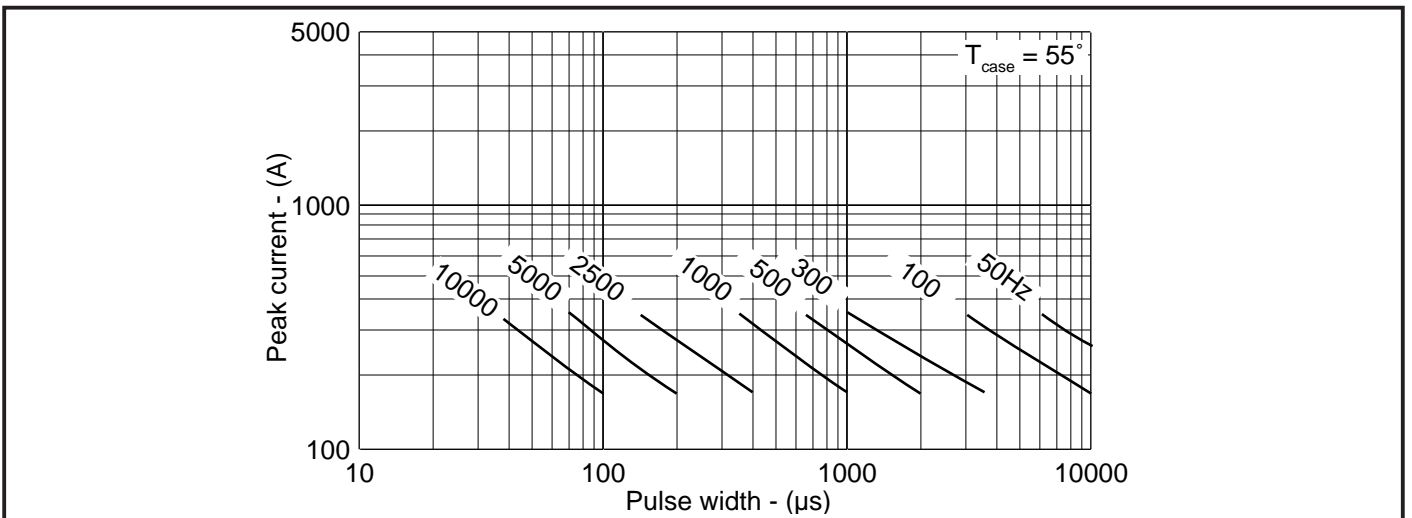


Fig.9 Frequency curves - sine waveform

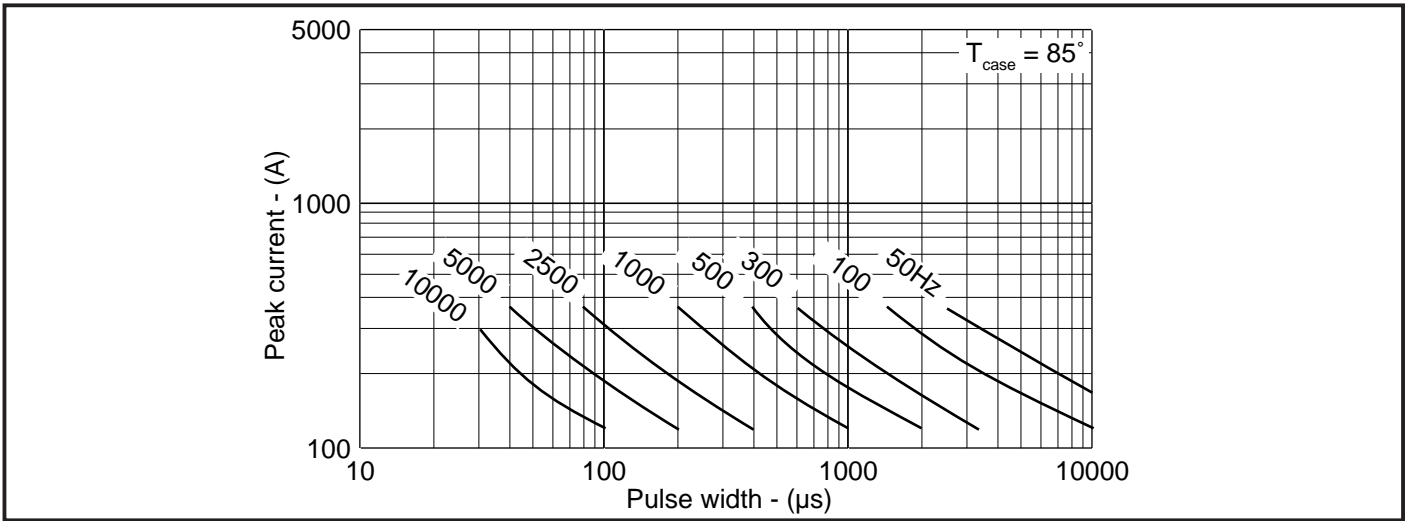


Fig.10 Frequency curves - sine waveform

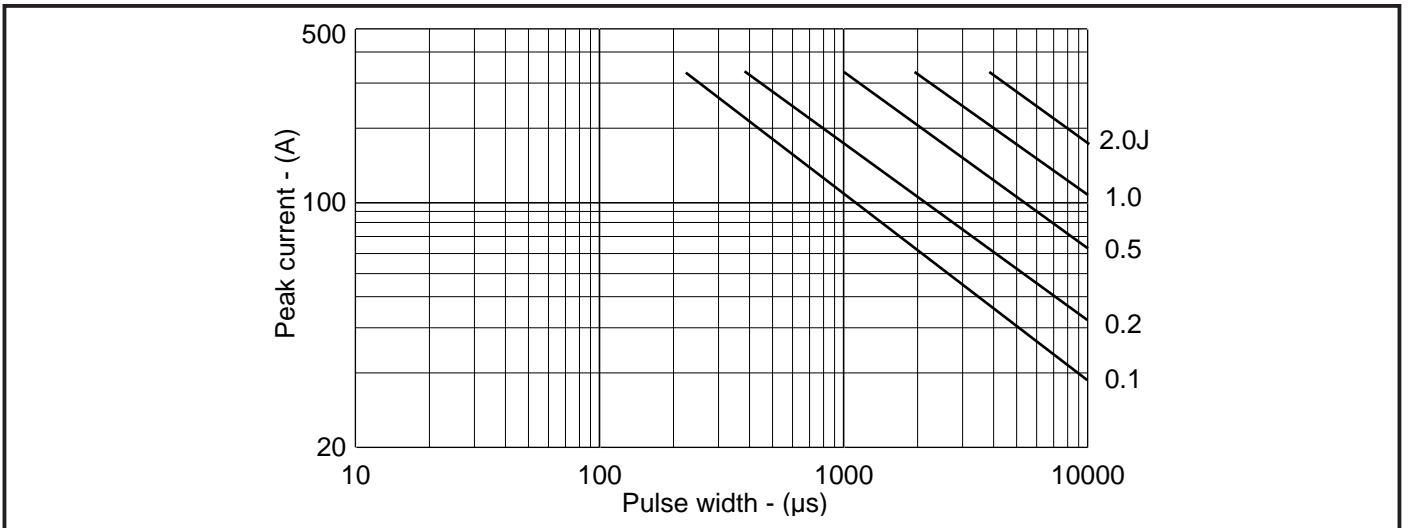
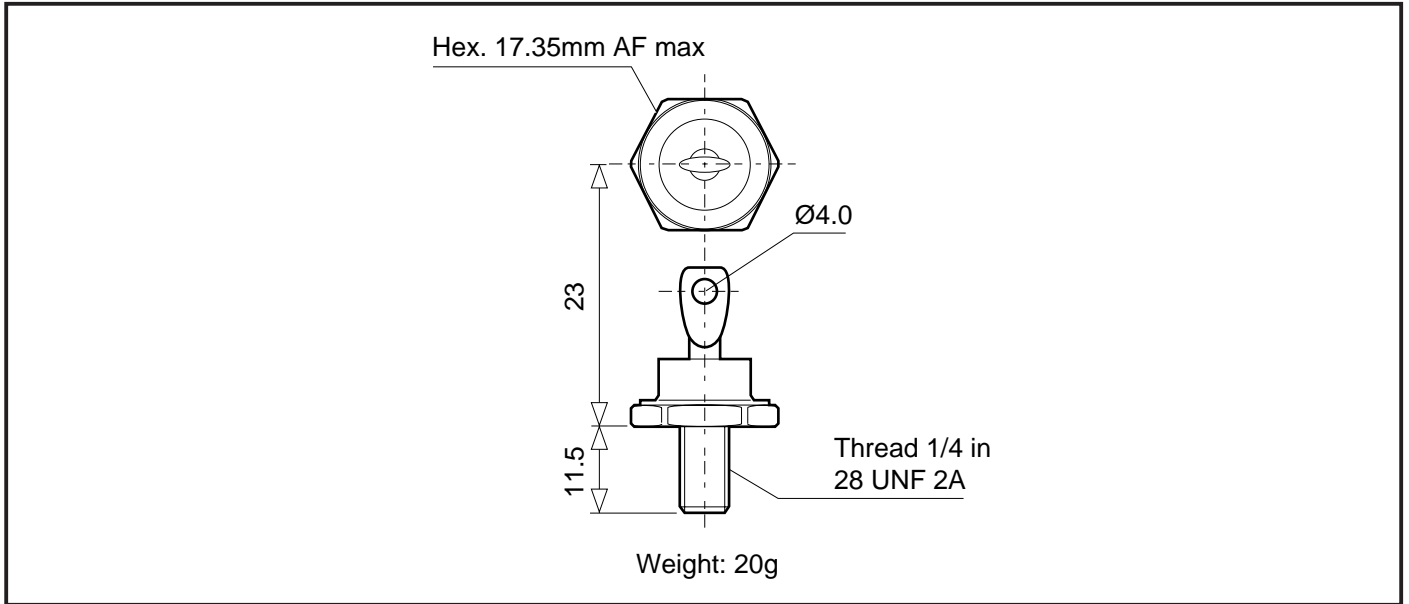


Fig.11 Energy per pulse - sine waveform

PACKAGE DETAILS

For further package information, please contact your local Customer Service Centre. All dimensions in mm, unless stated otherwise. DO NOT SCALE.



ASSOCIATED PUBLICATIONS

Title	Application Note Number
Calculating the junction temperature or power semiconductors	AN4506
Thyristor and diode measurement with a multi-meter	AN4853
Use of V_{TO} , r_T on-state characteristic	AN5001

MF70

POWER ASSEMBLY CAPABILITY

The Power Assembly group was set up to provide a support service for those customers requiring more than the basic semiconductor, and has developed a flexible range of heatsink / clamping systems in line with advances in device types and the voltage and current capability of our semiconductors.

We offer an extensive range of air and liquid cooled assemblies covering the full range of circuit designs in general use today. The Assembly group continues to offer high quality engineering support dedicated to designing new units to satisfy the growing needs of our customers.

Using the up to date CAD methods our team of design and applications engineers aim to provide the Power Assembly Complete solution (PACs).

HEATSINKS

Power Assembly has its own proprietary range of extruded aluminium heatsinks. They have been designed to optimise the performance of our semiconductors. Data with respect to air natural, forced air and liquid cooling (with flow rates) is available on request.

For further information on device clamps, heatsinks and assemblies, please contact your nearest Sales Representative or the factory.



<http://www.dynexsemi.com>

e-mail: power_solutions@dynexsemi.com

HEADQUARTERS OPERATIONS
DYNEX SEMICONDUCTOR LTD
Doddington Road, Lincoln.
Lincolnshire. LN6 3LF. United Kingdom.
Tel: 00-44-(0)1522-500500
Fax: 00-44-(0)1522-500550

DYNEX POWER INC.
Unit 7 - 58 Antares Drive,
Nepean, Ontario, Canada K2E 7W6.
Tel: 613.723.7035
Fax: 613.723.1518
Toll Free: 1.888.33.DYNEX (39639)

CUSTOMER SERVICE CENTRES
France, Benelux, Italy and Spain Tel: +33 (0)1 69 18 90 00. Fax: +33 (0)1 64 46 54 50
North America Tel: 011-800-5554-5554. Fax: 011-800-5444-5444
UK, Germany, Scandinavia & Rest Of World Tel: +44 (0)1522 500500. Fax: +44 (0)1522 500020

SALES OFFICES
France, Benelux, Italy and Spain Tel: +33 (0)1 69 18 90 00. Fax: +33 (0)1 64 46 54 50
Germany Tel: 07351 827723
North America Tel: (613) 723-7035. Fax: (613) 723-1518. Toll Free: 1.888.33.DYNEX (39639) /
Tel: (831) 440-1988. Fax: (831) 440-1989 / Tel: (949) 733-3005. Fax: (949) 733-2986.
UK, Germany, Scandinavia & Rest Of World Tel: +44 (0)1522 500500. Fax: +44 (0)1522 500020
These offices are supported by Representatives and Distributors in many countries world-wide.
© Dynex Semiconductor 2000 Publication No. DS4195-3 Issue No. 3.0 January 2000
TECHNICAL DOCUMENTATION – NOT FOR RESALE. PRINTED IN UNITED KINGDOM

Datasheet Annotations:

Dynex Semiconductor annotate datasheets in the top right hand corner of the front page, to indicate product status. The annotations are as follows:-

Target Information: This is the most tentative form of information and represents a very preliminary specification. No actual design work on the product has been started.

Preliminary Information: The product is in design and development. The datasheet represents the product as it is understood but details may change.

Advance Information: The product design is complete and final characterisation for volume production is well in hand.

No Annotation: The product parameters are fixed and the product is available to datasheet specification.

This publication is issued to provide information only which (unless agreed by the Company in writing) may not be used, applied or reproduced for any purpose nor form part of any order or contract nor to be regarded as a representation relating to the products or services concerned. No warranty or guarantee express or implied is made regarding the capability, performance or suitability of any product or service. The Company reserves the right to alter without prior notice the specification, design or price of any product or service. Information concerning possible methods of use is provided as a guide only and does not constitute any guarantee that such methods of use will be satisfactory in a specific piece of equipment. It is the user's responsibility to fully determine the performance and suitability of any equipment using such information and to ensure that any publication or data used is up to date and has not been superseded. These products are not suitable for use in any medical products whose failure to perform may result in significant injury or death to the user. All products and materials are sold and services provided subject to the Company's conditions of sale, which are available on request.

All brand names and product names used in this publication are trademarks, registered trademarks or trade names of their respective owners.