

**ADVANCED INFORMATION**

**DESCRIPTION:**

The DPE32X32XJ3 is a high-performance Electrically Erasable and Programmable Read Only Memory (EEPROM) module and may be organized as 32K x 32, 64K X 16 or 128K x 8.

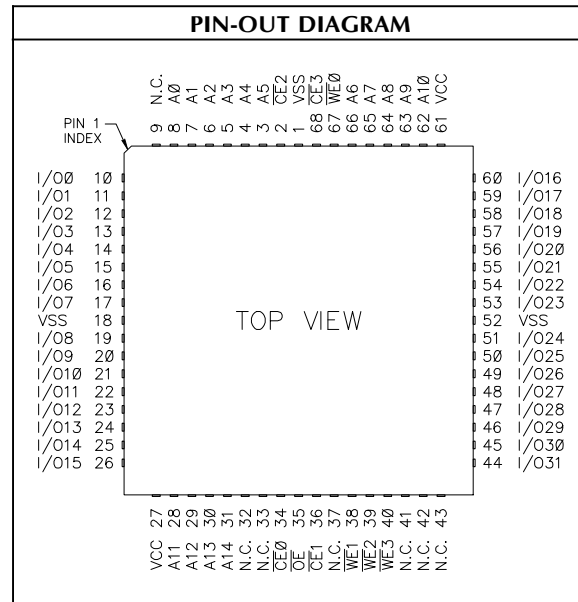
The module is built with four low-power CMOS 32K x 8 EEPROMs. The four chip enables are used for individual BWDW\* selection. The DPE32X32XJ3 is ideally suited for those computer systems having 16-bit or 32-bit architectures.

The DPE32X32XJ3 contains a 64-BWDW page register to allow writing of up to 64 BWDWs simultaneously. During a write cycle, the address and 1 to 64 BWDWs of data are internally latched, freeing the address and data bus for other operations. Following the initiation of a write cycle, the module will automatically write the latched data using an internal control timer. The end of a write cycle can be detected by DATA Polling of the most significant data bit in each byte. Once the end of a write cycle has been detected, a new access for a read or write can begin.

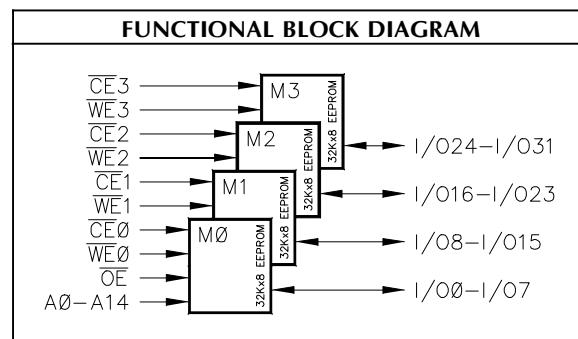
**FEATURES:**

- Fast Access Times:  
55, 70, 90, 120, 150, 200, 250ns
- Automatic Page Write Operation  
Internal Address and Data Latches  
Internal Control Timer
- Fast Write Cycle Times  
Page Write Cycle Time: 10ms maximum  
1 to 128 BWDW\* Page Write Operation
- DATA Polling for END of Write Detection
- High Reliability CMOS Technology  
Endurance:  $10^4$  Cycles  
Data Retention: 10 years
- Single +5V Power Supply,  $\pm 10\%$  Tolerance
- CMOS and TTL Compatible Inputs and Outputs
- 68-Pin "J" Leaded Surface Mount Module

\* Byte, Word or Double Word (BWDW)

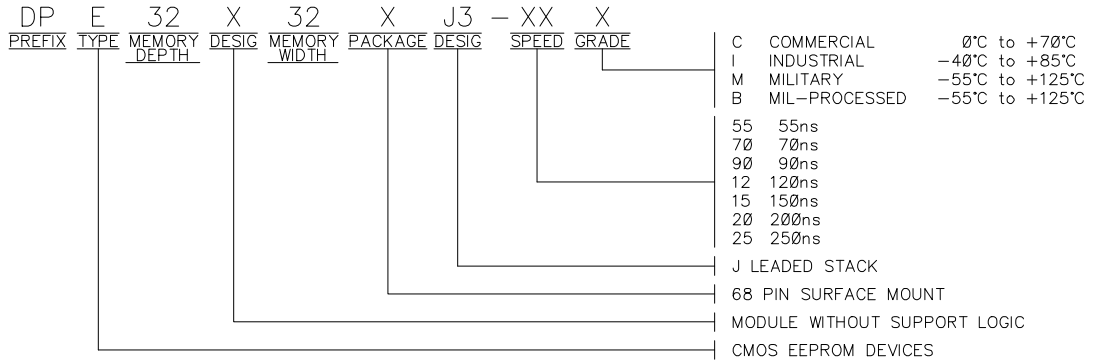


PIN NAMES	
A0 - A14	Address Inputs
I/O0 - I/O31	Data In/Out
CE0 - CE3	Chip Enables
WE0 - WE3	Write Enables
OE	Output Enable
VDD	Power (+5V)
VSS	Ground
N.C.	No Connect

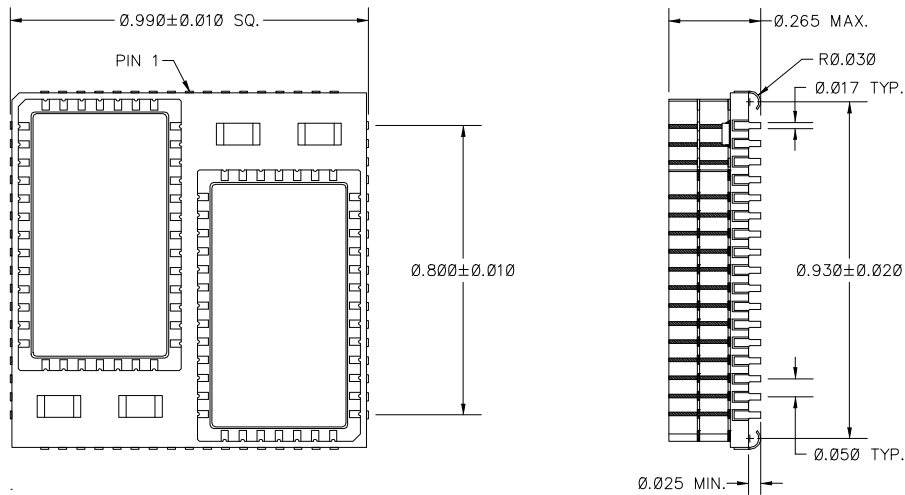


**ADVANCED INFORMATION**

**MECHANICAL DIAGRAMS**



**ORDERING INFORMATION**



**Dense-Pac Microsystems, Inc.**

7321 Lincoln Way ♦ Garden Grove, California 92841-1431

(714) 898-0007 (800) 642-4477 (Outside CA) ♦ FAX: (714) 897-1772 ♦ <http://www.dense-pac.com>