



22.5×12.5×19

NG4U

R2133923 E160644

Features

- Can be welded directly onto PCB.
- Used in household appliance like air conditioning , heater and instruments etc.

Ordering Information

NG4U C S 10 DC12V
1 2 3 4 5

1 Part number: NG4U

2 Contact arrangement: A:1A; C:1C

3 Enclosure: S: Sealed type; Z: Dust cover

4 Contact Current: 5A,10A

5 Coil rated Voltage(V): DC:6,12,24

Contact Data

| | | |
|------------------------------------|----------------------------|---------------------------------------|
| Contact Arrangement | 1A (SPSTNO)、1C (SPDT(B-M)) | |
| Contact Material | Ag-CdO AgSnO ₂ | |
| Contact Rating (resistive) | 5A,10A/125VAC,28VDC | |
| Max. Switching Power | 280W 1250VA | |
| Max. Switching Voltage | 30VDC 220VAC | Max. Switching Current:10A |
| Contact Resistance or Voltage drop | ≤50mΩ | Item 3.12 of IEC255-7 |
| Operation life | Electrical | 10 ⁵ Item 3.30 of IEC255-7 |
| | Mechanical | 10 ⁷ Item 3.31 of IEC255-7 |

Coil Parameter

| Dash numbers | Coil voltage VDC | | Coil resistance Ω±10% | Pickup voltage VDC(max) (70%of rated voltage) | release voltage VDC(min) (10% of rated voltage) | Coil power consumption W | Operate Time ms | Release Time ms |
|--------------|------------------|------|-----------------------|--|---|--------------------------|-----------------|-----------------|
| | Rated | Max. | | | | | | |
| 006-360 | 6 | 7.8 | 100 | 4.2 | 0.6 | 0.36 | ≤10 | ≤5 |
| 012-360 | 12 | 15.6 | 400 | 8.4 | 1.2 | | | |
| 024-360 | 24 | 31.2 | 1600 | 16.8 | 2.4 | | | |

CAUTION: 1.The use of any coil voltage less than the rated coil voltage will compromise the operation of the relay.
2.Pickup and release voltage are for test purposes only and are not to be used as design criteria.

Operation condition

| | | |
|--------------------------|--------------------------------|-------------------------------|
| Insulation Resistance | 250M Ω min (at 500VDC) | Item 7 of IEC255-5 |
| Dielectric Strength | | |
| Between contacts | 50Hz 750V | Item 6 of IEC255-5 |
| Between contact and coil | 50Hz 2000V surge voltage 4kV | Item 6 and item 8 of IEC255-5 |
| Shock resistance | 100m/s ² 11ms | IEC68-2-27 Test Ea |
| Vibration resistance | 10~55Hz double amplitude 1.5mm | IEC68-2-6 Test Fc |
| Terminals strength | 5N | IEC68-2-21 Test Ua1 |
| Solderability | 235°C \pm 2°C 3 \pm 0.5s | IEC68-2-20 Test Ta method 1 |
| Ambient Temperature | -25~70°C | |
| Relative Humidity | 85% (at 40°C) | IEC68-2-3 Test Ca |
| Mass | 8.6g | |

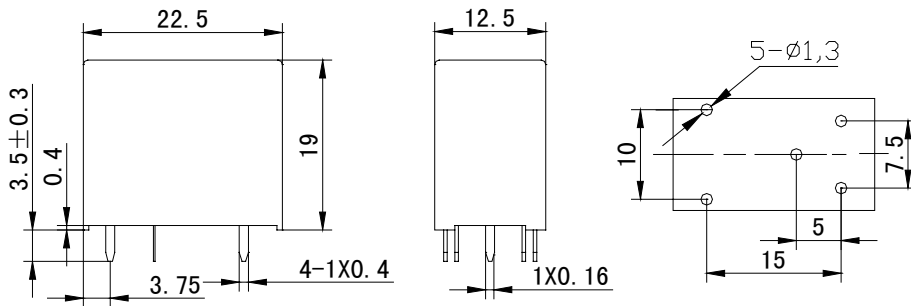
Qualification inspection:

Perform the qualification test as specified in the table IV of IEC255-19-1 and minimum sample size 24.

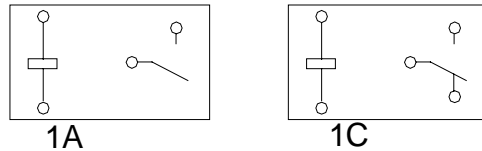
Safety approvals

| Safety approval | UL | TüV |
|-----------------|----------------------|-----------------|
| Load | 10A/125VAC 5A/250VAC | 5A/250VAC;28VDC |

Dimensions (Unit: mm)



| mm | inch |
|------|-------|
| 0.16 | 0.006 |
| 0.3 | 0.012 |
| 0.4 | 0.016 |
| 1.0 | 0.039 |
| 1.3 | 0.051 |
| 3.5 | 0.138 |
| 3.75 | 0.148 |
| 5.0 | 0.197 |
| 7.5 | 0.295 |
| 10 | 0.394 |
| 12.5 | 0.492 |
| 15 | 0.591 |
| 19 | 0.748 |
| 22.5 | 0.886 |



Wiring diagram
(Bottom views)

NOTES 1).Dimensions are in millimeter.

2).Inch equivalents are given for general information only.