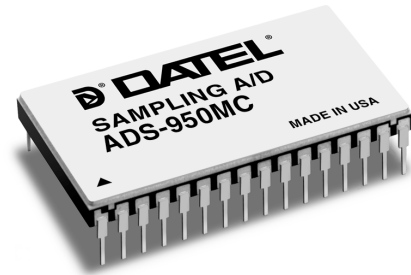


**FEATURES**

- 18-bit resolution
- 500kHz minimum sampling rate
- No missing codes over full military temperature range
- Very low power, 1.45 Watts
- Small, 32-pin, side-brazed, ceramic TDIP
- Edge-triggered
- Excellent performance
- Ideal for both time and frequency-domain applications
- Low cost



**GENERAL DESCRIPTION**

The low-cost ADS-950 is an 18-bit, 500kHz sampling A/D converter. This device accurately samples full-scale input signals up to Nyquist frequencies with no missing codes. This feature, combined with excellent signal-to-noise ratio (SNR) and total harmonic distortion (THD), makes the ADS-950 the ideal choice for both time-domain (medical imaging, scanners, process control) and frequency-domain (radar, telecommunications, spectrum analysis) applications.

Packaged in a 32-pin, side-brazed, metal-sealed, ceramic TDIP, the functionally complete ADS-950 contains a fast-settling sample-hold amplifier, a subranging (two-pass) A/D converter, an internal reference, timing/control logic, and error-correction circuitry. Digital input and output levels are TTL, and the ADS-950 only requires the rising edge of the start convert pulse to operate.

Requiring  $\pm 15V$  and  $\pm 5V$  supplies, the ADS-950 typically dissipates 1.45 Watts. The device is offered with a bipolar ( $\pm 5V$ ) analog input range. Models are available for use in either commercial (0 to  $+70^{\circ}C$ ) or military ( $-55$  to  $+125^{\circ}C$ )

**INPUT/OUTPUT CONNECTIONS**

PIN	FUNCTION	PIN	FUNCTION
1	BIT 2	32	BIT 3
2	BIT 1 (MSB)	31	BIT 4
3	ANALOG GROUND	30	BIT 5
4	ANALOG INPUT	29	BIT 6
5	+5V REFERENCE OUT	28	BIT 7
6	GAIN ADJUST	27	BIT 8
7	COMPENSATION	26	BIT 9
8	-15V SUPPLY	25	BIT 10
9	+15V SUPPLY	24	BIT 11
10	+5V ANALOG SUPPLY	23	BIT 12
11	-5V ANALOG SUPPLY	22	BIT 13
12	ANALOG GROUND	21	BIT 14
13	DIGITAL GROUND	20	BIT 15
14	+5V DIGITAL SUPPLY	19	BIT 16
15	$\overline{EOC}$	18	BIT 17
16	START CONVERT	17	BIT 18 (LSB)

operating temperature ranges. A proprietary, auto-calibrating, error-correcting circuit enables the device to achieve specified performance over the full military temperature range.

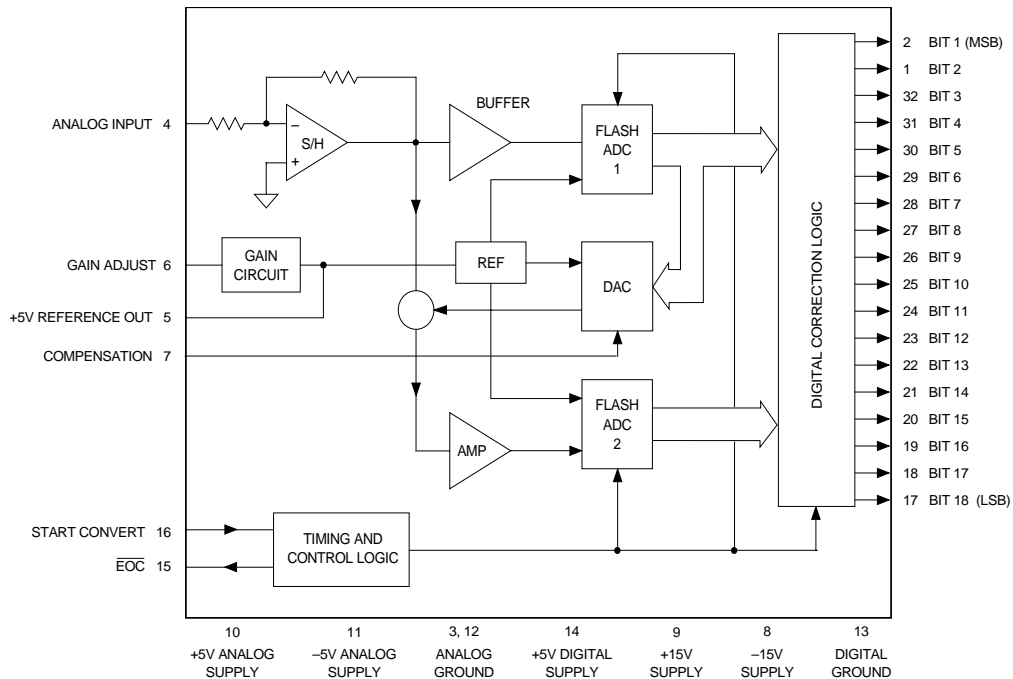


Figure 1. ADS-950 Functional Block Diagram

**ABSOLUTE MAXIMUM RATINGS**

PARAMETERS	LIMITS	UNITS
+15V Supply (Pin 9)	0 to +16	Volts
-15V Supply (Pin 8)	0 to -16	Volts
+5V Supply (Pins 10, 14)	0 to +6	Volts
-5V Supply (Pin 11)	0 to -6	Volts
Digital Input (Pin 16)	-0.3 to +VDD +0.3	Volts
Analog Input (Pin 4)	±15	Volts
Lead Temperature (10 seconds)	+300	°C

**PHYSICAL/ENVIRONMENTAL**

PARAMETERS	MIN.	TYP.	MAX.	UNITS
Operating Temp. Range, Case				
ADS-951MC	0	—	+70	°C
ADS-951MM	-55	—	+125	°C
Thermal Impedance				
$\theta_{jc}$	—	5	—	°C/Watt
$\theta_{ca}$	—	22	—	°C/Watt
Storage Temperature Range	-65	—	+150	°C
Package Type	32-pin, side-brazed, metal-sealed, ceramic TDIP			
Weight	0.46 ounces (13 grams)			

**FUNCTIONAL SPECIFICATIONS**

(TA = +25°C, ±VCC = ±15V, ±VDD = ±5V, 500kHz sampling rate, and a minimum 1 minute warmup ① unless otherwise specified.)

ANALOG INPUT	+25°C			0 to +70°C			-55 to +125°C			UNITS
	MIN.	TYP.	MAX.	MIN.	TYP.	MAX.	MIN.	TYP.	MAX.	
Input Voltage Range ②	—	±5	—	—	±5	—	—	±5	—	Volts
Input Resistance	—	500	—	—	500	—	—	500	—	Ω
Input Capacitance	—	7	15	—	7	15	—	7	15	pF
<b>DIGITAL INPUT</b>										
Logic Levels										
Logic "1"	+2.0	—	—	+2.0	—	—	+2.0	—	—	Volts
Logic "0"	—	—	+0.8	—	—	+0.8	—	—	+0.8	Volts
Logic Loading "1"	—	—	+20	—	—	+20	—	—	+20	μA
Logic Loading "0"	—	—	-20	—	—	-20	—	—	-20	μA
Start Convert Positive Pulse Width ③	20	500	—	20	500	—	20	500	—	ns
<b>STATIC PERFORMANCE</b>										
Resolution	—	18	—	—	18	—	—	18	—	Bits
Integral Nonlinearity (fin = 10kHz)	—	±0.75	—	—	±1.5	—	—	±2	—	LSB
Differential Nonlinearity (fin = 10kHz)	-0.95	±0.5	+1	-0.95	±0.5	+1	-0.95	±0.50	+1.25	LSB
Full Scale Absolute Accuracy	—	±0.1	±0.25	—	±0.25	±0.4	—	±0.4	±0.8	%FSR
Bipolar Zero Error (Tech Note 2)	—	±0.1	±0.15	—	±0.15	±0.25	—	±0.25	±0.5	%FSR
Bipolar Offset Error (Tech Note 2)	—	±0.1	±0.2	—	±0.2	±0.3	—	±0.3	±0.6	%FSR
Gain Error (Tech Note 2)	—	±0.1	±0.25	—	±0.25	±0.4	—	±0.4	±0.9	%
No Missing Codes (fin = 10kHz)	18	—	—	18	—	—	18	—	—	Bits
<b>DYNAMIC PERFORMANCE</b>										
Peak Harmonics (-0.5dB) dc to 100kHz	—	-90	—	—	-90	—	—	-86	—	dB
Total Harmonics Distortion (-0.5dB) dc to 100kHz	—	-89	—	—	-89	—	—	-85	—	dB
Signal-to-Noise Ratio (w/o distortion, -0.5dB) dc to 100kHz	92	94	—	92	94	—	—	92	—	dB
Signal-to-Noise Ratio ④ (& distortion, -0.5dB) dc to 100kHz	—	86	—	—	86	—	—	82	—	dB
Noise	—	38	48	—	38	48	—	38	—	μVrms
Two-Tone Intermodulation Distortion (fin = 100kHz, 240kHz, fs = 1MHz, -0.5dB)	—	-85	—	—	-85	—	—	-85	—	dB
Input Bandwidth (-3dB) Small Signal (-20dB input)	—	TBD	—	—	TBD	—	—	TBD	—	MHz
Large Signal (-0.5dB input)	—	TBD	—	—	TBD	—	—	TBD	—	MHz
Feedthrough Rejection (fin = 500kHz)	—	84	—	—	84	—	—	84	—	dB
Slew Rate	—	TBD	—	—	TBD	—	—	TBD	—	V/μs
Aperture Delay Time	—	+20	—	—	+20	—	—	+20	—	ns
Aperture Uncertainty	—	5	—	—	5	—	—	5	—	ps rms
S/H Acquisition Time (to ±0.003%FSR, 10V step)	—	260	—	—	260	—	—	260	—	ns
Overvoltage Recovery Time ⑤	—	1	—	—	1	—	—	1	—	μs
A/D Conversion Rate	500	—	—	500	—	—	500	—	—	kHz

ANALOG OUTPUT	+25°C			0 to +70°C			-55 to +125°C			UNITS
	MIN.	TYP.	MAX.	MIN.	TYP.	MAX.	MIN.	TYP.	MAX.	
Internal Reference Voltage	+4.95	+5.0	+5.05	+4.95	+5.0	+5.05	+4.95	+5.0	+5.05	Volts
Drift	—	±30	—	—	±30	—	—	±30	—	ppm/°C
External Current	—	1	—	—	1	—	—	1	—	mA
<b>DIGITAL OUTPUTS</b>										
Logic Levels										
Logic "1"	+2.4	—	—	+2.4	—	—	+2.4	—	—	Volts
Logic "0"	—	—	+0.4	—	—	+0.4	—	—	+0.4	Volts
Logic Loading "1"	—	—	-4	—	—	-4	—	—	-4	mA
Logic Loading "0"	—	—	+4	—	—	+4	—	—	+4	mA
Output Coding	Complementary Offset Binary									
<b>POWER REQUIREMENTS</b>										
Power Supply Ranges										
+15V Supply	+14.5	+15.0	+15.5	+14.5	+15.0	+15.5	+14.5	+15.0	+15.5	Volts
-15V Supply	-14.5	-15.0	-15.5	-14.5	-15.0	-15.5	-14.5	-15.0	-15.5	Volts
+5V Supply	+4.75	+5.0	+5.25	+4.75	+5.0	+5.25	+4.75	+5.0	+5.25	Volts
-5V Supply	-4.75	-5.0	-5.25	-4.75	-5.0	-5.25	-4.75	-5.0	-5.25	Volts
Power Supply Currents										
+15V Supply	—	+29	—	—	+29	—	—	+29	—	mA
-15V Supply	—	-15	—	—	-15	—	—	-15	—	mA
+5V Supply	—	+104	—	—	+104	—	—	+104	—	mA
-5V Supply	—	-54	—	—	-54	—	—	-54	—	mA
Power Dissipation	—	1.45	1.65	—	1.45	1.65	—	1.45	1.65	Watts
Power Supply Rejection	—	—	±0.05	—	—	±0.05	—	—	±0.05	%FSR/%V
<b>Footnotes:</b>										
① All power supplies must be on before applying a start convert pulse. All supplies and the clock (START CONVERT) must be present during warmup periods. The device must be continuously converting during this time.					④ Effective bits is equal to: $\frac{(\text{SNR} + \text{Distortion}) - 1.76}{6.02} + \left[ 20 \log \frac{\text{Full Scale Amplitude}}{\text{Actual Input Amplitude}} \right]$					
② Contact DATEL for other input voltage ranges.					⑤ This is the time required before the A/D output data is valid once the analog input is back within the specified range.					
③ A 500kHz clock with a 1µsec positive pulse width (50% duty cycle) is used for all production testing. Any duty cycle may be used as long as a minimum positive pulse width of 20nsec is maintained. For applications requiring lower sampling rates, clock frequencies lower than 1MHz may be used.										

**TECHNICAL NOTES**

1. Obtaining fully specified performance from the ADS-950 requires careful attention to pc-card layout and power supply decoupling. The device's analog and digital ground systems are not connected to each other internally. For optimal performance, tie all ground pins (3, 12 and 13) directly to a large **analog** ground plane beneath the package.

Bypass all power supplies and the +5V REFERENCE OUTPUT (pin 5) to ground with 10µF tantalum capacitors in parallel with 0.1µF ceramic capacitors. Locate the bypass capacitors as close to the unit as possible. Tie a 47µF capacitor between COMPENSATION (pin 7) and ground.

2. The ADS-950 achieves its specified accuracies without the need for external calibration. If required, the device's small initial errors can be reduced to zero using the adjustment circuitry shown in Figure 2. When using this circuitry, or any similar offset and gain calibration hardware, make adjustments following warmup. To avoid interaction, always adjust offset before gain. Float pin 6 if not using gain adjust circuits.

3. Applying a start convert pulse while a conversion is in progress ( $\overline{\text{EOC}} = \text{logic "1"}$ ) will initiate a new and probably inaccurate conversion cycle. Data for the interrupted and subsequent conversions will be invalid.

**THERMAL REQUIREMENTS**

All DATEL sampling A/D converters are fully characterized and specified over operating temperature (case) ranges of 0 to +70°C and -55 to +125°C. All room-temperature ( $T_A = +25^\circ\text{C}$ ) production testing is performed without the use of heat sinks or forced-air cooling. Thermal impedance figures for each device are listed in their respective specification tables.

These devices do not normally require heat sinks, however, standard precautionary design and layout procedures should be used to ensure devices do not overheat. The ground and power planes beneath the package, as well as all pcb signal runs to and from the device, should be as heavy as possible to help conduct heat away from the package. Electrically-insulating, thermally-conductive "pads" may be installed underneath the package. Devices should be soldered to boards rather than "socketed", and of course, minimal air flow over the surface can greatly help reduce the package temperature.

**CALIBRATION PROCEDURE**

Connect the converter per Table 1 for the appropriate input voltage range. Any offset/gain calibration procedures should not be implemented until the device is fully warmed up. To avoid interaction, adjust offset before gain. The ranges of adjustment for the circuits in Figure 2 are guaranteed to compensate for the ADS-950's initial accuracy errors and may not be able to compensate for additional system errors.

A/D converters are calibrated by positioning their digital outputs exactly on the transition point between two adjacent digital output codes. This is accomplished by connecting LED's to the digital outputs and performing adjustments until certain LED's "flicker" equally between on and off. Other approaches employ digital comparators or microcontrollers to detect when the outputs change from one code to the next.

For the ADS-950, offset adjusting is normally accomplished when the analog input is 0 minus 1/2LSB (-19µV). See Table 2 for the proper bipolar output coding.

Gain adjusting is accomplished when the analog input is at nominal full scale minus 1 1/2LSB's (-4.999943V).

**Zero/Offset Adjust Procedure**

1. Apply a train of pulses to the START CONVERT input (pin 16) so that the converter is continuously converting.
2. For bipolar zero/offset adjust, apply -19µV to the ANALOG INPUT (pin 4).
3. Adjust the offset potentiometer until the output code flickers equally between 01 1111 1111 1111 and 10 0000 0000 0000 0000.

**Gain Adjust Procedure**

1. Apply -4.999943V to the ANALOG INPUT (pin 4).
2. Adjust the gain potentiometer until all output bits are 1's and the LSB flickers between 1 and 0.
3. To confirm proper operation of the device, vary the applied input voltage to obtain the output coding listed in Table 2.

**Table 1. Input Connections**

INPUT VOLTAGE RANGE	ZERO ADJUST (-1/2 LSB)	GAIN ADJUST (-FS +1 1/2 LSB)
±5V	-19µV	-4.999943

**Table 2. Output Coding**

COMPLEMENTARY OFFSET BINARY			
BIPLOAR SCALE	INPUT VOLTAGE ±5V	OUTPUT CODING	
		MSB	LSB
+FS -1 LSB	+4.999962	00	0000 0000 0000 0000
+3/4 FS	+3.750000	00	0111 1111 1111 1111
+1/2 FS	+2.500000	00	1111 1111 1111 1111
0	+0.000000	01	1111 1111 1111 1111
-1/2 FS	-2.500000	10	1111 1111 1111 1111
-3/4 FS	-3.750000	11	0111 1111 1111 1111
-FS +1 LSB	-4.999962	11	1111 1111 1111 1110
-FS	-5.000000	11	1111 1111 1111 1111

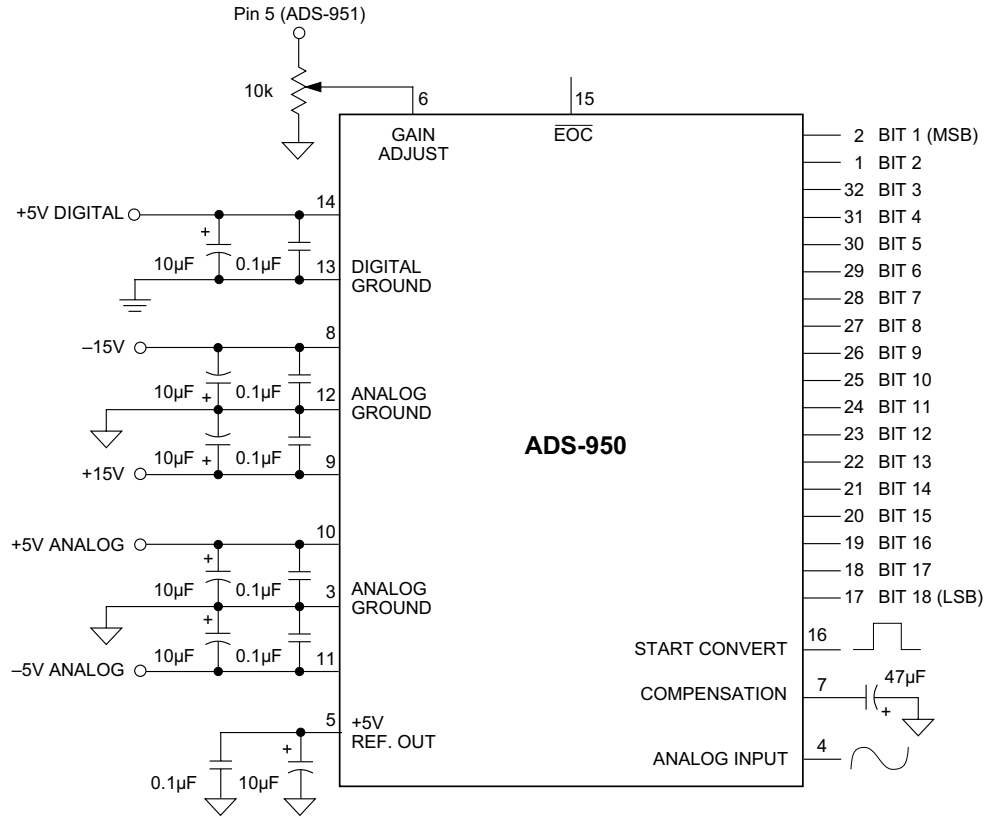
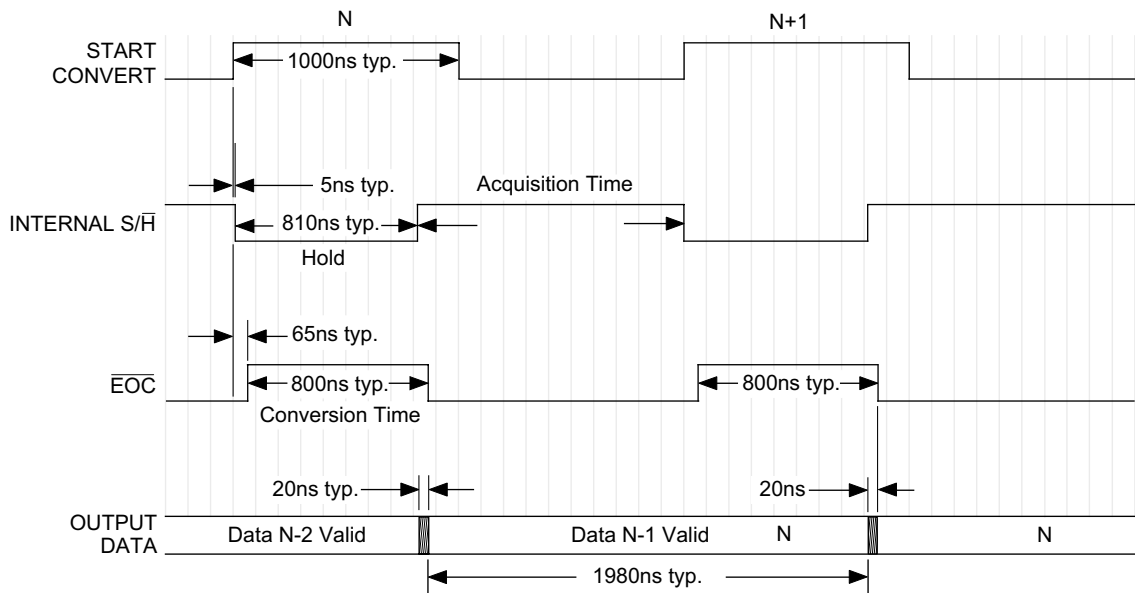


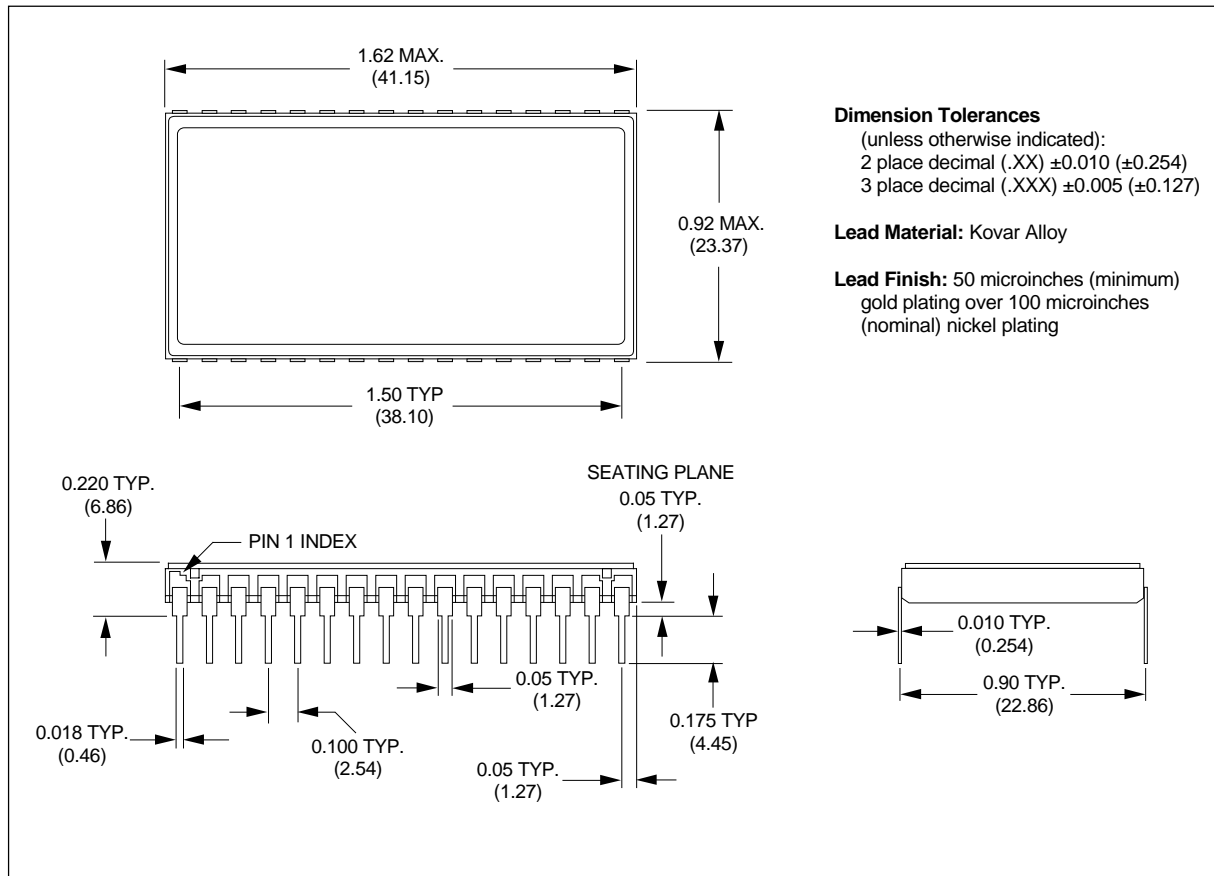
Figure 2. Typical ADS-950 Connection Diagram



Scale is approximately 100ns per division.

Figure 3. ADS-950 Timing Diagram

**MECHANICAL DIMENSIONS INCHES (mm)**



**ORDERING INFORMATION**

MODEL NUMBER	OPERATING TEMP. RANGE	32-PIN PACKAGE	ACCESSORIES
ADS-950MC	0 to +70°C	TDIP	ADS-B950 Evaluation Board (without ADS-950)
ADS-950MM	-55 to +125°C	TDIP	

Receptacles for PC board mounting can be ordered through AMP, Inc., Part # 3-331272-8 (Component Lead Socket), 32 required. For availability of MIL-STD-883 product, contact DATEL.