

SMT half pitch DIP switch – Auto placeable

Features

Optimized Mechanical Features

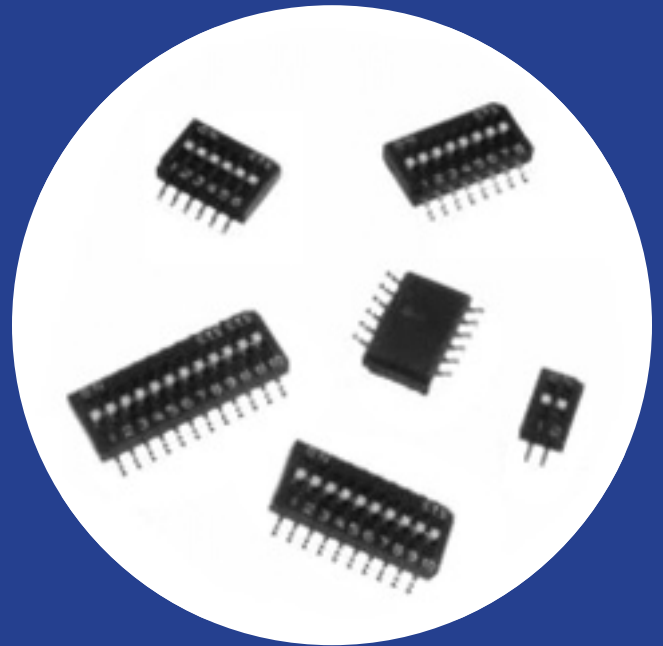
- Removable tape seal to withstand IR vapor phase or wave soldering temperatures, board washing
- Gull-wing and "J" bend terminal configurations
- Low profile actuators prevent accidental actuation
- SPST configuration, 2, 4, 6, 8, 10, and 12 positions
- Coplanarity: 0.1 mm/.004" maximum

Optimized Contact System

- Redundant, wiping contact
- Contactor does not deflect during actuation
- 0.6 mm/0.024" actuator travel

Materials

- Gold plated contacts, gold flash plated terminals
- Copper alloy contactor
- High temperature materials (UL 94V-0)



Electrical and Mechanical Specifications

Switch Function

Single pole single throw

Switch Contact Resistance

100 milliohms maximum initial
100 milliohms maximum after 1,000 cycles switch

Insulation Resistance

100 megohms minimum across open switch
100 megohms minimum between adjacent closed switches

Dielectric Strength

300 VDC maximum for 1 minute

Nonswitching Rating

100 mA or 50 VDC

Switch Capacitance

10 pF maximum between adjacent closed switches

Operating Temperature

-40°C to +85°C

Actuation Life

1,000 cycles switching 25 mA @ 24 VDC

Coplanarity

Coplanarity of 0.1 mm / .004" maximum

Allowable Solder Time

IR and vapor phase—up to 30 seconds with 260°C
Wave—up to 6 seconds at 260°C

Vibration

Per MIL-STD-202F, method 204D, condition B
(.06" or 15 G's between 10 HZ to 2 KHz) with no contact inconsistencies greater than 1 microsecond.

Shock

Per MIL-STD-202F, method 213B, condition A
(50 G's) with no contact inconsistencies greater than 1 microsecond.

Sealing

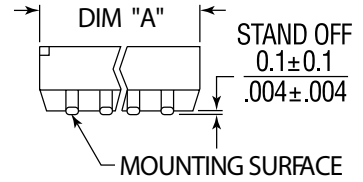
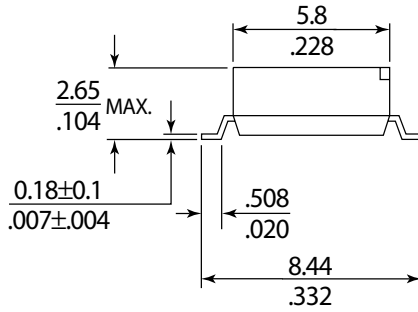
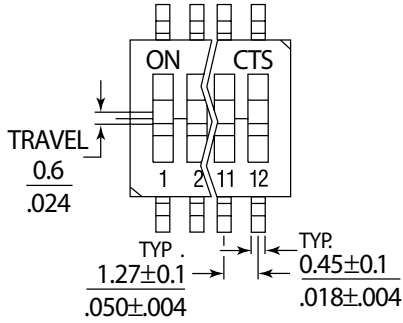
Bottom seal standard
Top tape seal optional

Marking

Special marking available—consult CTS

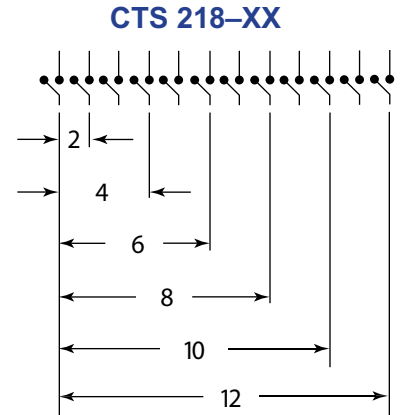
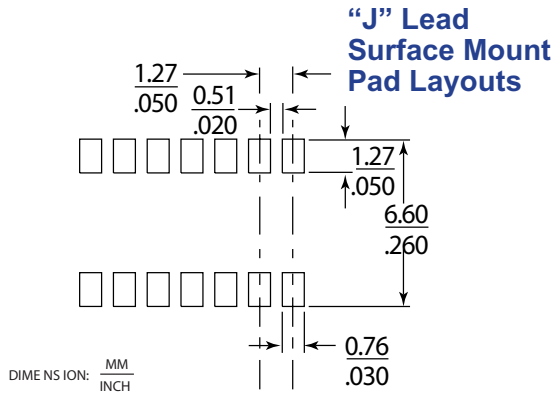
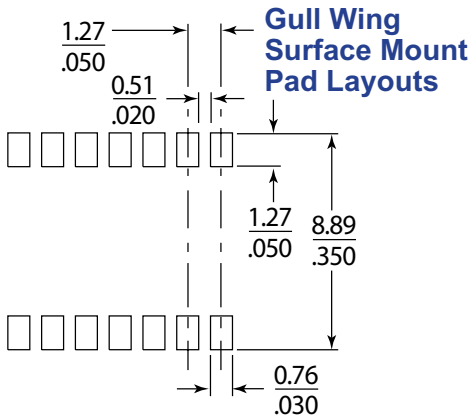
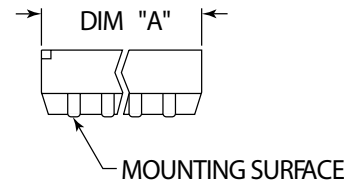
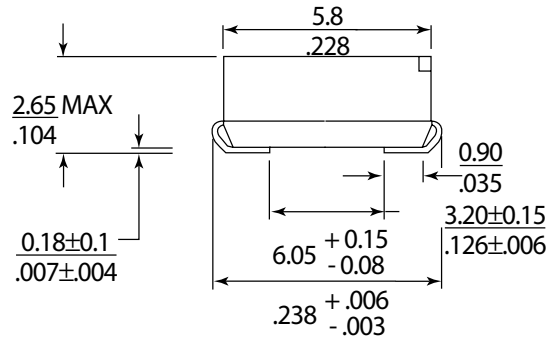
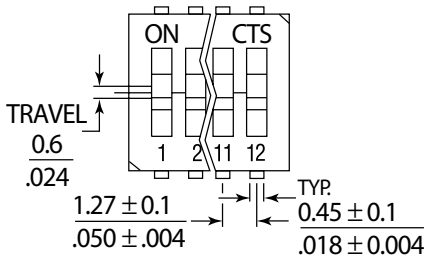
CTS SERIES 218

218 – Gull Wing Leads



DIMENSION: MM / INCH

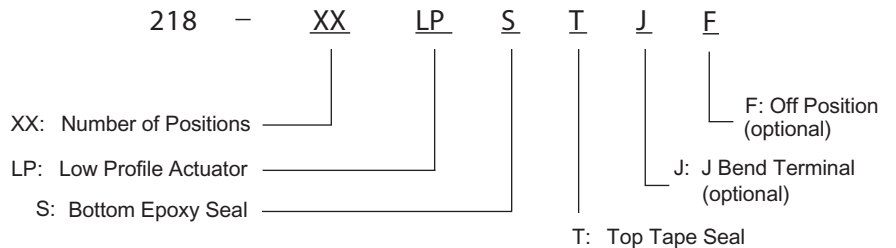
218 – “J” Leads



Order Information

“A” OVERALL DIMENSION	NO. OF S. W. SECTIONS
3.71 / .146	2
6.25 / .246	4
8.79 / .346	6
11.33 / .446	8
13.87 / .546	10
16.41 / .646	12

Part Number Code For Ordering



For J bend terminal or switch shipped in off position, add the letter “J” or “F” to part number (ie, 218-2LPSTJF).

Order From:

CTS CORPORATION, RESISTOR/ELECTROCOMPONENTS / 406 Parr Road / Berne, Indiana 46711

TEL: (260) 589-3111 / FAX: (260) 589-3243 http://www.ctscorp.com

CTS COMPONENTS TAIWAN, LTD. / 7, Central 6th Road / Kaohsiung Export Processing Zone

/ Kaohsiung, Taiwan 806, Rep. of China

TEL: (07) 821-6145 / FAX: (07) 811-0040