

CRYDOM

Control over power

Series 2

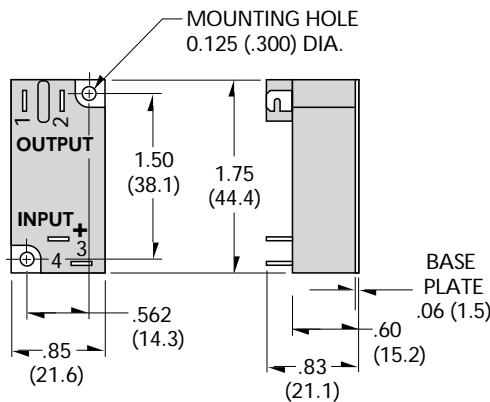
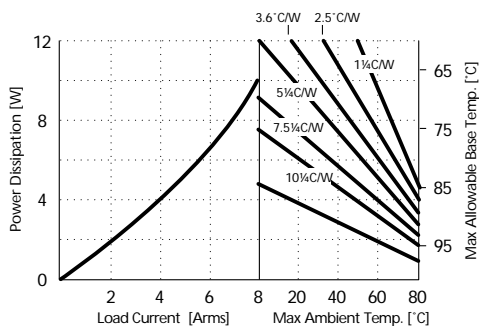
8 Amp • 120, 240 Vac • AC Output

- Zero Voltage Switching
- 2500 Volt Isolation
- Panel Mount
- Triac Output

Relays combine small size and high ratings in a package designed for easy heat sink or panel mounting. Standard .187 push-on terminals assure quick connection and are arranged to provide maximum isolation between signal and power circuits. Model S228C is a snubber-less design for applications that require low off-state leakage.

Manufactured in Crydom's ISO 9001 Certified facility for optimum product performance and reliability.

CURRENT DERATING CURVES



All dimensions are in inches (millimeters)

MODEL NUMBERS S218 S228 S228C

OUTPUT SPECIFICATIONS ①

| | | | |
|---|-----------|-----------|-----------|
| Operating Voltage (47-63 Hz) [Vrms] | 20-140 | 40-280 | 40-280 |
| Max. Load Current Range [Arms] | .15-8.0 | .15-8.0 | .15-8.0 |
| Transient Overvoltage [Vpk] | 400 | 600 | 600 |
| Max. Surge Current, (16.6ms) [Apk] | 120 | 120 | 120 |
| Max. On-State Voltage Drop @ Rated Current [Vpk] | 1.6 | 1.6 | 1.6 |
| Thermal Resistance Junction to Case (R _{θJC}) [°C/W] | 1.5 | 1.5 | 1.5 |
| Maximum I ² t for Fusing, (8.3 msec.) [A ² sec] | 60 | 60 | 60 |
| Max. Off-State Leakage Current @ Rated Voltage [mA] | 4.0 | 4.0 | 0.1 |
| Min. Off-State dv/dt @ Max. Rated Voltage [V/μsec] ② | 200 | 200 | 200 |
| Max. Turn-On Time | 1/2 cycle | 1/2 cycle | 1/2 cycle |
| Max. Turn-Off Time | 1/2 cycle | 1/2 cycle | 1/2 cycle |
| Power Factor (Min.) with Max. Load | 0.5 | 0.5 | 0.5 |

INPUT SPECIFICATIONS ①

| | |
|------------------------------|---------|
| Control Voltage Range | 3.5-8.0 |
| Nominal Input Impedance | 200 Ohm |
| Max. Turn-On Voltage | 3.5 Vdc |
| Min. Turn-Off Voltage | 1.0 Vdc |
| Typical Input Current @ 5Vdc | 18 mA |

GENERAL SPECIFICATIONS

| | |
|--|---------------------|
| Dielectric Strength ② | 2500 Vrms |
| Insulation Resistance (Min.) @ 500 Vdc ② | 10 ⁹ Ohm |
| Max. Capacitance | 8.0 pF |
| Ambient Operating Temperature Range | -30 to 80¼C |
| Ambient Storage Temperature Range | -30 to 125¼C |

MECHANICAL SPECIFICATIONS

| | |
|-------------------|----------------------------|
| Weight: (typical) | 1.3 oz. (40 g) |
| Encapsulation: | Thermally Conductive Epoxy |

©2002 CRYDOM CORP, Specifications subject to change without notice.

GENERAL NOTES

- ① All parameters at 25¼C unless otherwise specified.
- ② Dielectric and insulation resistance are measured between input and output.
- ③ Off-State dv/dt test method per EIA/NARM standard RS-443.

APPROVALS

UL E116949
CSA LR81689



FastFax Document No.156
SERIES 2.
Rev. 042302
PAGE 1 OF 1

For recommended applications and more information contact:

USA: Sales Support (877) 502-5500 Tech Support (877) 702-7700 FAX (619) 710-8540
Crydom Corp, 2320 Paseo de las Americas, Ste. 201, San Diego, CA 92154

Email: sales@crydom.com WEB SITE: http://www.crydom.com

UK: +44 (0)1202 365070 • FAX +44 (0)1202 365090 Crydom International Ltd., 7 Cobham

Road, Ferndown Industrial Estate, Ferndown, Dorset BH21 7PE, Email: intsales@crydom.com.

GERMANY: +49 (0)180 3000 506

