

CIRCUIT BREAKER WITH ON/OFF CAPABILITY

This unique circuit breaker consists of a thermal circuit breaker and a rocker switch style housing. When an overload condition occurs, the contacts will break apart. By returning the actuator to the OFF position, then back to ON, the circuit breaker mechanism with reset.



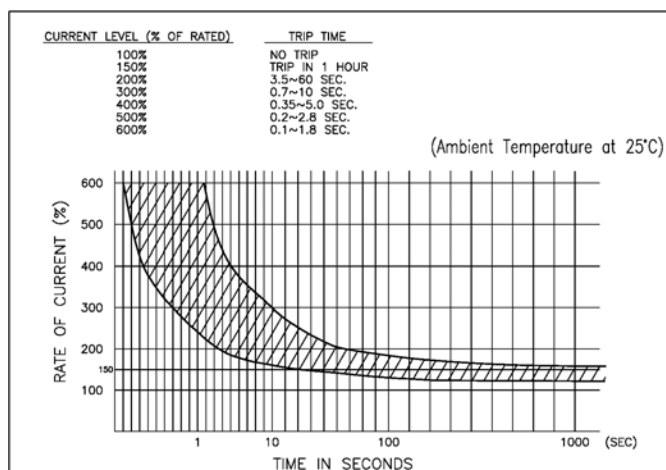
UL US - E198027

SPECIFICATIONS

Electrical Ratings	8A, 10A, 12A, 15A @ 125VAC
Electrical Life	10,000 cycles typical
Contact Resistance	< 30 mΩ max initial @ 2-4VDC, 100mA
Dielectric Strength	3000Vrms min (Terminal – Terminal)
Insulation Resistance	> 1,000MΩ min
Interrupt Capacity	1000A @ 125VAC
Operating Temperature	-40°C to 85°C
Storage Temperature	-40°C to 85°C

MATERIALS ←RoHS COMPLIANT

Actuator	PC (Poly Carbonate)
Housing	Nylon
Rivits	Aluminum
Contacts	AgSnO ₂
Terminals	Brass



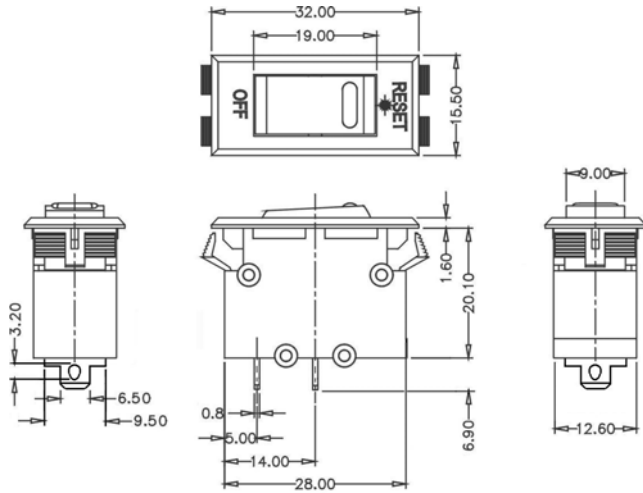
TRIP TIMES / CURRENT LEVELS

% of Rated Current	Trip Time
100	No Trip
150	< 1 Hour
200	3.5 – 60 Sec.
300	0.7 – 10 Sec.
400	0.35 – 5 Sec.
500	0.2 – 2.8 Sec.
600	0.1 – 1.8 Sec.

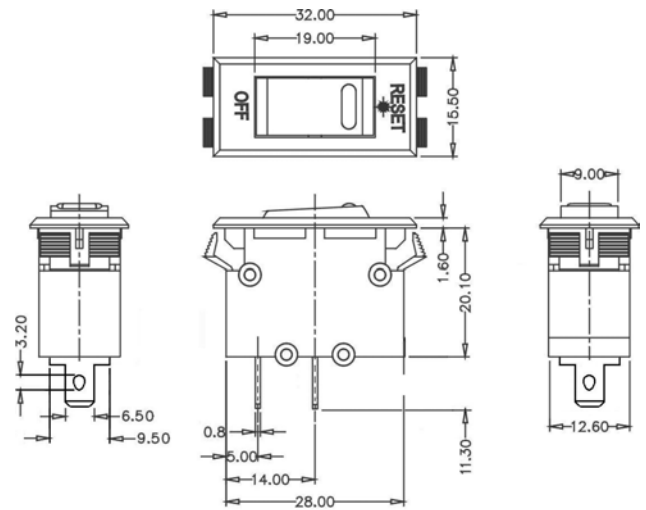
ORDERING INFORMATION

1. Series:	CITR2	15	Q2	L	S
CITR2					
2. Contact Ratings:					
08 = 8A					
10 = 10A					
12 = 12A					
15 = 15A					
3. Termination Options:					
Q1 = Short Quick Connects					
Q2 = Long Quick Connects					
RP = Right Angle PC Pins					
4. Lamp Options:					
N = No Lamp, Opaque Red Actuator					
L = 125VAC Neon, Translucent Red Actuator					
K = No Lamp, Translucent Red Actuator					
G = 125VAC Neon, Translucent Green Actuator					
H = No Lamp, Translucent Green Actuator					
5. Printing Options:					
None = No Printing					
S = Reset / OFF					

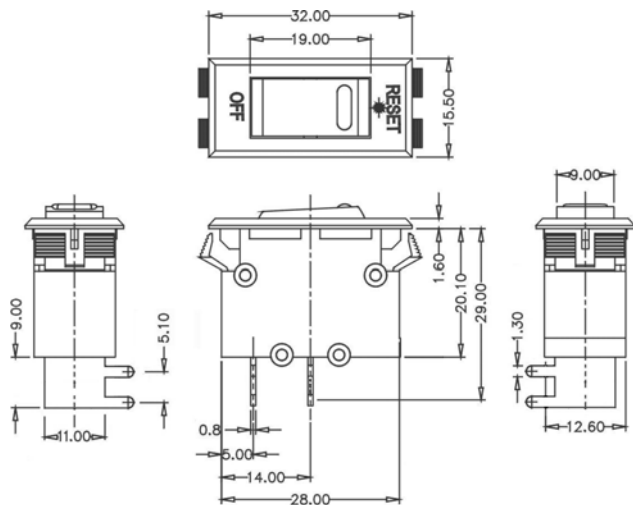
DIMENSIONS



Q1

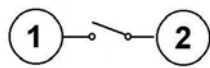


Q2

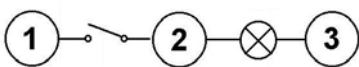


RP

SCHMATICS, PC LAYOUT, & PANEL MOUNTING

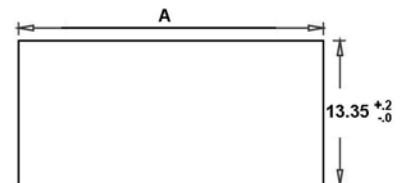
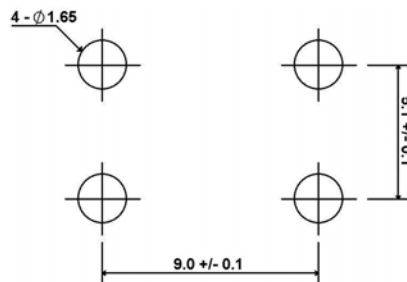


WITHOUT LAMP



WITH LAMP

125VAC NEON, 25K HOURS, 68KΩ Res.



THICKNESS

0.8 ~ 1.0
1.1 ~ 1.4
1.5

DIM "A"

28.4 +.1 / -.0
28.8 +.1 / -.0
29.0 +.1 / -.0