

## 16-, 14-, & 12-bit Self-calibrating A/D Converters

### Features

- Monolithic CMOS A/D Converters
  - Microprocessor Compatible
  - Parallel & Serial Output
  - Inherent Track/Hold Input
- True 12-bit, 14-bit, and 16-bit Precision
- Conversion Times
  - CS5016: 16.25  $\mu$ s
  - CS5014: 14.25  $\mu$ s
  - CS5012A: 7.20  $\mu$ s
- Linearity Error:  $\pm 0.001\%$  FS
  - Guaranteed No Missing Codes
- Self-calibration Maintains Accuracy
  - Accurate Over Time & Temperature
- Low Power Consumption
  - 150 mW
- Low Distortion

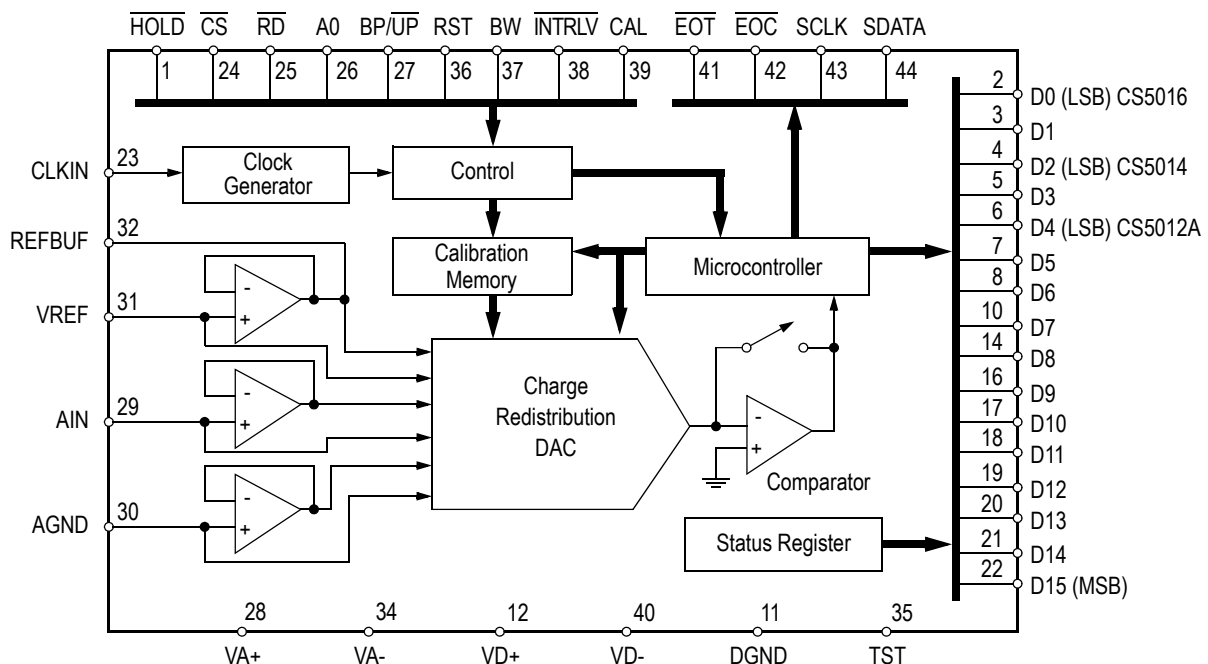
### Description

The CS5012A/14/16 are 12-, 14-, and 16-bit monolithic analog to digital converters with conversion times of 7.2  $\mu$ s, 14.25  $\mu$ s and 16.25  $\mu$ s. Unique self-calibration circuitry ensures excellent linearity and differential nonlinearity, with no missing codes. Offset and full-scale errors are kept within 1/2 LSB (CS5012A/14) and 1 LSB (CS5016), eliminating the need for calibration. Unipolar and bipolar input ranges are digitally selectable.

The pin compatible CS5012A/14/16 consist of a DAC, conversion and calibration microcontroller, oscillator, comparator, microprocessor-compatible 3-state I/O, and calibration circuitry. The input track-and-hold, inherent to the devices' sampling architecture, acquires the input signal after each conversion using a fast-slewing, on-chip buffer amplifier. This allows throughput rates up to 100 kSps (CS5012A), 56 kSps (CS5014), and 50 kSps (CS5016).

### ORDERING INFORMATION

See "Ordering Information" on page 39.



**CS5012A ANALOG CHARACTERISTICS**

( $T_A = T_{MIN}$  to  $T_{MAX}$ ;  $V_{A+}$ ,  $V_{D+} = 5V$ ;  
 $V_{A-}$ ,  $V_{D-} = -5V$ ;  $V_{REF} = 2.5V$  to  $4.5V$ ;  $f_{clk} = 6.4$  MHz for -7, 4 MHz for -12; Analog Source Impedance =  $200\Omega$ )

Parameter*		CS5012A			Units
		Min	Typ	Max	
Specified Temperature Range		-40 to +85			°C
<b>Accuracy</b>					
Linearity Error Drift	(Note 1) (Note 2)	$\pm 1/4$ $\pm 1/8$	$\pm 1/2$		LSB <sub>12</sub> $\Delta$ LSB <sub>12</sub>
Differential Linearity Drift	(Note 1) (Note 2)	$\pm 1/4$ $\pm 1/32$	$\pm 1/2$		LSB <sub>12</sub> $\Delta$ LSB <sub>12</sub>
Full Scale Error Drift	(Note 1) (Note 2)	$\pm 1/4$ $\pm 1/16$	$\pm 1/2$		LSB <sub>12</sub> $\Delta$ LSB <sub>12</sub>
Unipolar Offset Drift	(Note 1) (Note 2)	$\pm 1/4$ $\pm 1/16$	$\pm 1/2$		LSB <sub>12</sub> $\Delta$ LSB <sub>12</sub>
Bipolar Offset Drift	(Note 1) (Note 2)	$\pm 1/4$ $\pm 1/16$	$\pm 1/2$		LSB <sub>12</sub> $\Delta$ LSB <sub>12</sub>
Bipolar Negative Full-Scale Error Drift	(Note 1) (Note 2)	$\pm 1/4$ $\pm 1/16$	$\pm 1/2$		LSB <sub>12</sub> $\Delta$ LSB <sub>12</sub>
Total Unadjusted Error Drift	(Note 1) (Note 2)	$\pm 1/4$ $\pm 1/4$			LSB <sub>12</sub> $\Delta$ LSB <sub>12</sub>
<b>Dynamic Performance (Bipolar Mode)</b>					
Peak Harmonic or Spurious Noise	(Note 1)				
Full Scale, 1 kHz Input		84	92		dB
Full Scale, 12 kHz Input		84	88		dB
Total Harmonic Distortion		0.008			%
Signal-to-Noise Ratio	(Note 1)				
1 kHz, 0 dB Input		72	73		dB
1 kHz, -60 dB Input			13		dB
Noise	(Note 3)				
Unipolar Mode			45		$\mu V_{rms}$
Bipolar Mode			90		$\mu V_{rms}$

- Notes: 1. Applies after calibration at any temperature within the specified temperature range.  
2. Total drift over specified temperature range since calibration at power-up at 25 °C  
3. Wideband noise aliased into the baseband. Referred to the input.

\* Refer to *Parameter Definitions* (immediately following the pin descriptions at the end of this data sheet).

Specifications are subject to change without notice.

**CS5012A ANALOG CHARACTERISTICS** (continued)

Parameter*	CS5012A			Units
	Min	Typ	Max	
Specified Temperature Range	-40 to +85			°C
<b>Analog Input</b>				
Aperture Time	25			ns
Aperture Jitter	100			ps
Input Capacitance (Note 4)				pF
Unipolar Mode CS5012A	103	137		pF
Bipolar Mode CS5012A	72	96		pF
<b>Conversion &amp; Throughput</b>				
Conversion Time (Notes 5 and 6)	7.2			μs
Acquisition Time (Note 6)	2.5	2.8		μs
Throughput (Note 6)	100			kSps
<b>Power Supplies</b>				
DC Power Supply Currents (Note 7)				mA
IA+	12	19		mA
IA-	-12	-19		mA
D+	3	6		mA
ID+ (CS5012A)	6	7.5		mA
ID-	-3	-6		mA
Power Dissipation (Note 7)	150	250		mW
Power Supply Rejection (Note 8)				dB
Positive Supplies	84			dB
Negative Supplies	84			dB

- Notes:
- Applies only in track mode. When converting or calibrating, input capacitance will not exceed 15 pF.
  - Measured from falling transition on  $\overline{\text{HOLD}}$  to falling transition on  $\overline{\text{EOC}}$ .
  - Conversion, acquisition, and throughput times depend on CLKIN, sampling, and calibration conditions. The numbers shown assume sampling and conversion is synchronized with the CS5012A/14/16's conversion clock, interleave calibrate is disabled, and operation is from the full-rated, external clock. Refer to the section *Conversion Time/Throughput* for a detailed discussion of conversion timing.
  - All outputs unloaded. All inputs CMOS levels.
  - With 300 mV p-p, 1 kHz ripple applied to each analog supply separately in bipolar mode. Rejection improves by 6 dB in the unipolar mode to 90 dB. Figure 13 shows a plot of typical power supply rejection versus frequency.

**CS5014 ANALOG CHARACTERISTICS** ( $T_A = T_{MIN}$  to  $T_{MAX}$ ;  $V_{A+}$ ,  $V_{D+} = 5V$ ;  
 $V_{A-}$ ,  $V_{D-} = -5V$ ;  $V_{REF} = 4.5V$ ;  $CLKIN = 4$  MHz for -14, 2 MHz for -28; Analog Source Impedance = 200 $\Omega$ )

Parameter*		CS5014-B		Units
		Min	Typ	
Specified Temperature Range		-40 to +85		°C
<b>Accuracy</b>				
Linearity Error	(Note 1)	$\pm 1/4$	$\pm 1/2$	LSB <sub>14</sub>
Drift	(Note 2)	$\pm 1/8$		$\Delta$ LSB <sub>14</sub>
Differential Linearity	(Note 1)	$\pm 1/4$	$\pm 1/2$	LSB <sub>14</sub>
Drift	(Note 2)	$\pm 1/32$		$\Delta$ LSB <sub>14</sub>
Full Scale Error	(Note 1)	$\pm 1/2$	$\pm 1$	LSB <sub>14</sub>
Drift	(Note 2)	$\pm 1/4$		$\Delta$ LSB <sub>14</sub>
Unipolar Offset	(Note 1)	$\pm 1/4$	$\pm 3/4$	LSB <sub>14</sub>
Drift	(Note 2)	$\pm 1/4$		$\Delta$ LSB <sub>14</sub>
Bipolar Offset	(Note 1)	$\pm 1/4$	$\pm 3/4$	LSB <sub>14</sub>
Drift	(Note 2)	$\pm 1/2$		$\Delta$ LSB <sub>14</sub>
Bipolar Negative Full-Scale Error	(Note 1)	$\pm 1/2$	$\pm 1$	LSB <sub>14</sub>
Drift	(Note 2)	$\pm 1/4$		$\Delta$ LSB <sub>14</sub>
Total Unadjusted Error	(Note 1)	$\pm 1$		LSB <sub>14</sub>
Drift	(Note 2)	$\pm 1$		$\Delta$ LSB <sub>14</sub>
<b>Dynamic Performance (Bipolar Mode)</b>				
Peak Harmonic or Spurious Noise	(Note 1)			
Full Scale, 1 kHz Input		94	98	dB
Full Scale, 12 kHz Input		84	87	dB
Total Harmonic Distortion		0.003		%
Signal-to-Noise Ratio	(Notes 1 and 9)			
1 kHz, 0 dB Input		82	84	dB
1 kHz, -60 dB Input			23	dB
Noise	(Note 3)			
Unipolar Mode			45	$\mu V_{rms}$
Bipolar Mode			90	$\mu V_{rms}$

Notes: 9. A detailed plot of  $S/(N+D)$  vs. input amplitude appears in Figure 26 for the CS5014 and Figure 28 for the CS5016.

\* Refer to *Parameter Definitions* (immediately following the pin descriptions at the end of this data sheet).

Specifications are subject to change without notice.

**CS5014 ANALOG CHARACTERISTICS** (continued)

Parameter*		CS5014			Units
		Min	Typ	Max	
Specified Temperature Range		-40 to +85			°C
<b>Analog Input</b>					
Aperture Time		25			ns
Aperture Jitter		100			ps
Input Capacitance (Note 4)					
Unipolar Mode		275	375		pF
Bipolar Mode		165	220		pF
<b>Conversion &amp; Throughput</b>					
Conversion Time (Notes 5 and 6)		14.25			μs
Acquisition Time (Note 6)		3.0	3.75		μs
Throughput (Note 6)		55.6			kSps
<b>Power Supplies</b>					
DC Power Supply Currents (Note 7)					
IA+		9	19		mA
IA-		-9	-19		mA
ID+		3	6		mA
ID-		-3	-6		mA
Power Dissipation (Note 7)		120	250		mW
Power Supply Rejection (Note 8)					
Positive Supplies		84			dB
Negative Supplies		84			dB

**CS5016 ANALOG CHARACTERISTICS** ( $T_A = T_{MIN}$  to  $T_{MAX}$ ;  $V_{A+}$ ,  $V_{D+} = 5V$ ;  
 $V_{A-}$ ,  $V_{D-} = -5V$ ;  $V_{REF} = 4.5V$ ;  $CLKIN = 4$  MHz for -16, 2 MHz for -32; Analog Source Impedance = 200 $\Omega$ ;  
 Synchronous Sampling.)

Parameter*		CS5016			Units
		Min	Typ	Max	
Specified Temperature Range		-40 to +85			$^{\circ}C$
<b>Accuracy</b>					
Linearity Error Drift	(Note 1) (Note 2)	0.001	0.0015	$\pm 1/4$	%FS $\Delta LSB_{16}$
Differential Linearity	(Note 10)	16			Bits
Full Scale Error Drift	(Note 1) (Note 2)	$\pm 2$ $\pm 1$	$\pm 3$		$LSB_{16}$ $\Delta LSB_{16}$
Unipolar Offset Drift	(Note 1) (Note 2)	$\pm 1$ $\pm 1$	$\pm 3$		$LSB_{16}$ $\Delta LSB_{16}$
Bipolar Offset Drift	(Note 1) (Note 2)	$\pm 1$ $\pm 2$	$\pm 2$		$LSB_{16}$ $\Delta LSB_{16}$
Bipolar Negative Full-Scale Error Drift	(Note 1) (Note 2)	$\pm 2$ $\pm 2$	$\pm 3$		$LSB_{16}$ $\Delta LSB_{16}$
<b>Dynamic Performance (Bipolar Mode)</b>					
Peak Harmonic or Spurious Noise	(Note 1)				
Full Scale, 1 kHz Input		100	104		dB
Full Scale, 12 kHz Input		85	91		dB
Total Harmonic Distortion Full Scale, 1 kHz Input		0.001			%
Signal-to-Noise Ratio	(Notes 1 and 9)				
1 kHz, 0 dB Input		90	92		dB
1 kHz, -60 dB Input		32			dB
Noise	(Note 3)				
Unipolar Mode		35			$\mu V_{rms}$
Bipolar Mode		70			$\mu V_{rms}$

Notes: 10. Minimum resolution for which no missing codes is guaranteed

\* Refer to *Parameter Definitions* (immediately following the pin descriptions at the end of this data sheet).

Specifications are subject to change without notice.

**CS5016 ANALOG CHARACTERISTICS** (continued)

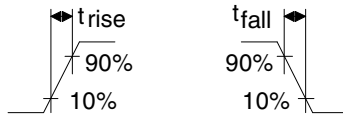
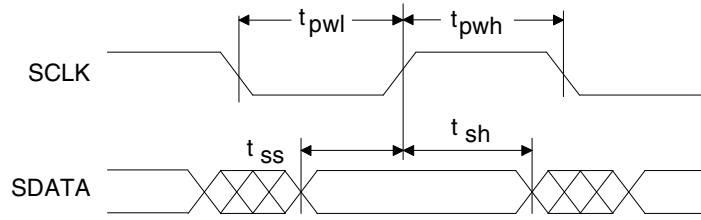
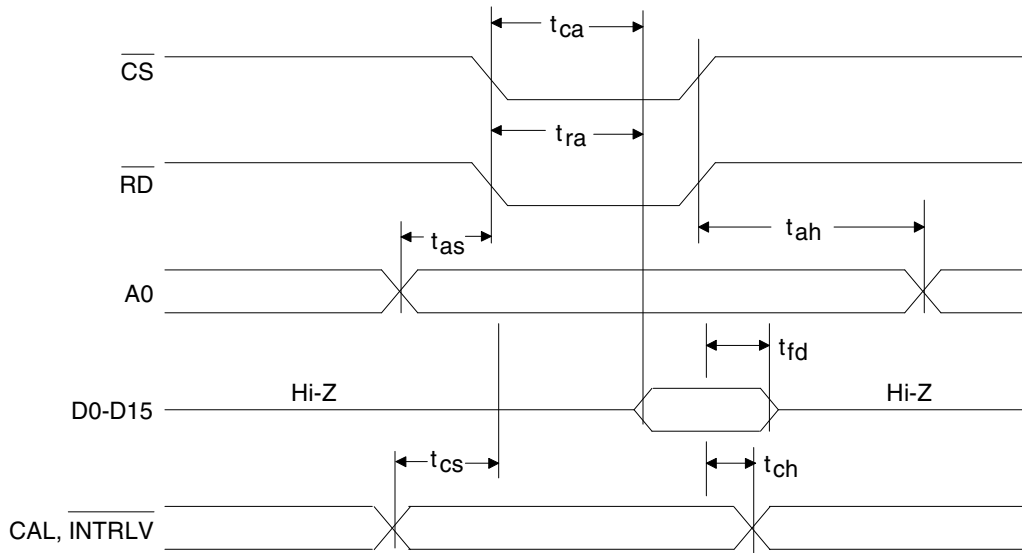
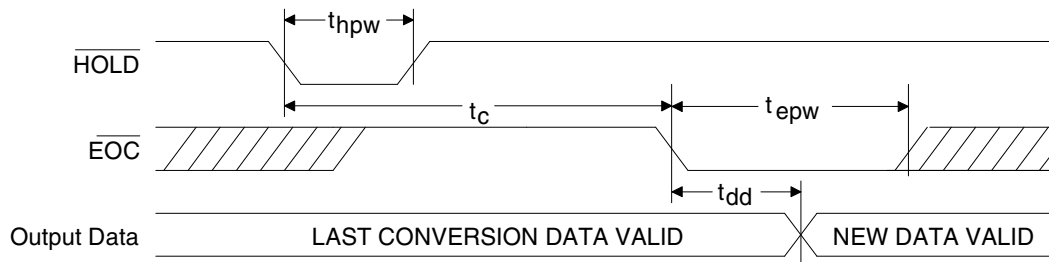
Parameter*		CS5016-A, B			Units
		Min	Typ	Max	
Specified Temperature Range		-40 to +85			°C
<b>Analog Input</b>					
Aperture Time		25			ns
Aperture Jitter		100			ps
Input Capacitance (Note 4)					
Unipolar Mode		275	375		pF
Bipolar Mode		165	220		pF
<b>Conversion &amp; Throughput</b>					
Conversion Time (Notes 5 and 6)		16.25			μs
Acquisition Time (Note 6)		3.0	3.75		μs
Throughput (Note 6)		50			kSps
<b>Power Supplies</b>					
DC Power Supply Currents (Note 7)					
IA+		9	19		mA
IA-		-9	-19		mA
ID+		3	6		mA
ID-		-3	-6		mA
Power Dissipation (Note 7)		120	250		mW
Power Supply Rejection (Note 8)					
Positive Supplies		84			dB
Negative Supplies		84			dB

**SWITCHING CHARACTERISTICS** ( $T_A = T_{MIN}$  to  $T_{MAX}$ ;  $V_{A+}$ ,  $V_{D+} = 5V \pm 10\%$ ;  
 $V_{A-}$ ,  $V_{D-} = -5V \pm 10\%$ ; Inputs: Logic 0 = 0V, Logic 1 =  $V_{D+}$ ;  $C_L = 50$  pF,  $BW = V_{D+}$ )

Parameter	Symbol	Min	Typ	Max	Units
CS5012A CLKIN Frequency: Internally Generated: Externally Supplied:	f <sub>CLK</sub> -7	1.75 100 kHz	- -	- 6.4	MHz MHz
CS5014/5016 CLKIN Frequency: Internally Generated: Externally Supplied:	f <sub>CLK</sub> -14, -16 -14, -32 -14, -16 -14, -32	1.75 1 100 kHz 100 kHz	- - - -	- - 4 2	MHz MHz MHz MHz
CLKIN Duty Cycle		40	-	60	%
Rise Times: Any Digital Input Any Digital Output	t <sub>rise</sub>	- -	- 20	1.0 -	μs ns
Fall Times: Any Digital Input Any Digital Output	t <sub>fall</sub>	- -	- 20	1.0 -	μs ns
HOLD Pulse Width	t <sub>hpw</sub>	1/f <sub>CLK</sub> +50	-	t <sub>c</sub>	ns
Conversion Time:	CS5012A CS5014 CS5016	49/f <sub>CLK</sub> +50 57/f <sub>CLK</sub> 65/f <sub>CLK</sub>	- - -	53/f <sub>CLK</sub> +235 61/f <sub>CLK</sub> +235 69/f <sub>CLK</sub> +235	ns ns ns
Data Delay Time	t <sub>dd</sub>	-	40	100	ns
$\overline{EOC}$ Pulse Width (Note 11)	t <sub>epw</sub>	4/f <sub>CLK</sub> -20	-	-	ns
Set Up Times: CAL, $\overline{INTRLV}$ to $\overline{CS}$ Low A0 to $\overline{CS}$ and $\overline{RD}$ Low	t <sub>cs</sub> t <sub>as</sub>	20 20	10 10	- -	ns ns
Hold Times: $\overline{CS}$ or $\overline{RD}$ High to A0 Invalid $\overline{CS}$ High to CAL, $\overline{INTRLV}$ Invalid	t <sub>ah</sub> t <sub>ch</sub>	50 50	30 30	- -	ns ns
Access Times: $\overline{CS}$ Low to Data Valid $\overline{RD}$ Low to Data Valid	t <sub>ca</sub> t <sub>ra</sub>	- -	90 90	120 120	ns ns
Output Float Delay: $\overline{CS}$ or $\overline{RD}$ High to Output Hi-Z	t <sub>fd</sub>	-	90	110	ns
Serial Clock Pulse Width Low Pulse Width High	t <sub>pwl</sub> t <sub>pwh</sub>	- -	2/f <sub>CLK</sub> 2/f <sub>CLK</sub>	- -	ns ns
Set Up Times: SDATA to SCLK Rising	t <sub>ss</sub>	2/f <sub>CLK</sub> -50	2/f <sub>CLK</sub>	-	ns
Hold Times: SCLK Rising to SDATA	t <sub>sh</sub>	2/f <sub>CLK</sub> -100	2/f <sub>CLK</sub>	-	ns

Notes: 11.  $\overline{EOC}$  remains low 4 CLKIN cycles if  $\overline{CS}$  and  $\overline{RD}$  are held low. Otherwise, it returns high within 4 CLKIN cycles from the start of a data read operation or a conversion cycle.




**Rise and Fall Times**

**Serial Output Timing**

**Read and Calibration Control Timing**

**Conversion Timing**

**DIGITAL CHARACTERISTICS** ( $T_A = T_{MIN}$  to  $T_{MAX}$ ;  $V_{A+}$ ,  $V_{D+} = 5V \pm 10\%$ ;  $V_{A-}$ ,  $V_{D-} = -5V \pm 10\%$ )

Parameter	Symbol	Min	Typ	Max	Units
High-Level Input Voltage	$V_{IH}$	2.0	-	-	V
Low-Level Input Voltage	$V_{IL}$	-	-	0.8	V
High-Level Output Voltage (Note 12)	$V_{OH}$	$(V_{D+}) - 1.0V$	-	-	V
Low-Level Output Voltage $I_{out} = 1.6mA$	$V_{OL}$	-	-	0.4	V
Input Leakage Current	$I_{in}$	-	-	10	$\mu A$
3-State Leakage Current	$I_{OZ}$	-	-	$\pm 10$	$\mu A$
Digital Output Pin Capacitance	$C_{out}$	-	9	-	pF

Notes: 12.  $I_{out} = -100 \mu A$ . This specification guarantees TTL compatibility ( $V_{OH} = 2.4V @ I_{out} = -40 \mu A$ ).

**RECOMMENDED OPERATING CONDITIONS** ( $AGND$ ,  $DGND = 0V$ , see Note 13)

Parameter	Symbol	Min	Typ	Max	Units	
DC Power Supplies:	Positive Digital	$V_{D+}$	4.5	5.0	$V_{A+}$	V
	Negative Digital	$V_{D-}$	-4.5	-5.0	-5.5	V
	Positive Analog	$V_{A+}$	4.5	5.0	5.5	V
	Negative Analog	$V_{A-}$	-4.5	-5.0	-5.5	V
Analog Reference Voltage	$V_{REF}$	2.5	4.5	$(V_{A+}) - 0.5$	V	
Analog Input Voltage: (Note 14)	Unipolar	$V_{AIN}$	$AGND$	-	$V_{REF}$	V
	Bipolar	$V_{AIN}$	$-V_{REF}$	-	$V_{REF}$	V

Notes: 13. All voltages with respect to ground.

14. The CS5012A/14/16 can accept input voltages up to the analog supplies ( $V_{A+}$  and  $V_{A-}$ ). It will output all 1's for inputs above  $V_{REF}$  and all 0's for inputs below  $AGND$  in unipolar mode and  $-V_{REF}$  in bipolar mode.

**ABSOLUTE MAXIMUM RATINGS** ( $AGND$ ,  $DGND = 0V$ , all voltages with respect to ground.)

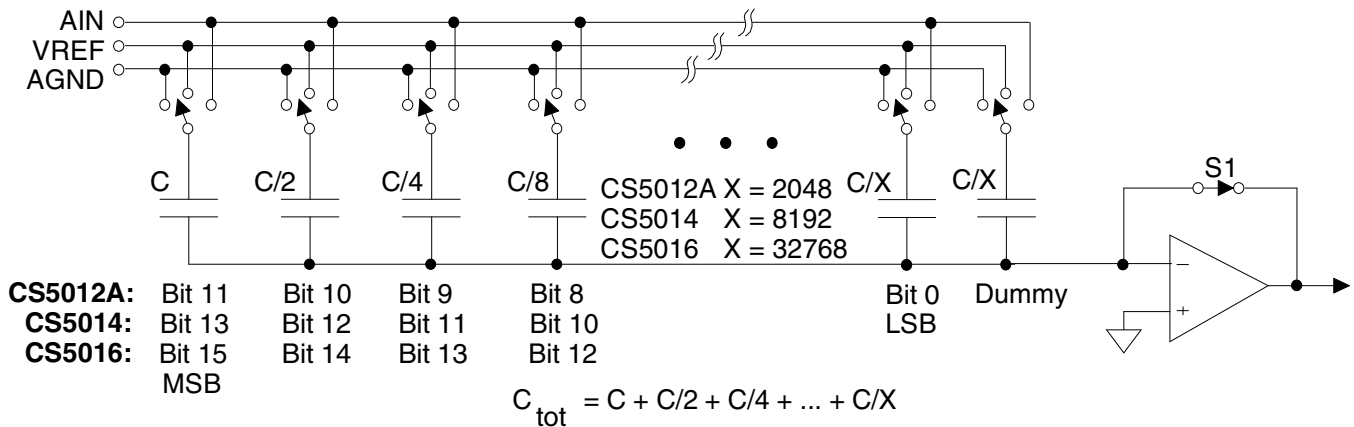
WARNING: Operation at or beyond these limits may result in permanent damage to the device.

Normal operation is not guaranteed at these extremes.

Parameter	Symbol	Min	Max	Units	
DC Power Supplies:	Positive Digital (Note 15)	$V_{D+}$	-0.3	6.0	V
	Negative Digital	$V_{D-}$	0.3	-6.0	V
	Positive Analog	$V_{A+}$	-0.3	6.0	V
	Negative Analog	$V_{A-}$	0.3	-6.0	V
Input Current, Any Pin Except Supplies (Note 16)	$I_{in}$	-	$\pm 10$	mA	
Analog Input Voltage (AIN and VREF pins)	$V_{INA}$	$(V_{A-}) - 0.3$	$(V_{A+}) + 0.3$	V	
Digital Input Voltage	$V_{IND}$	-0.3	$(V_{A+}) + 0.3$	V	
Ambient Operating Temperature	$T_A$	-55	125	$^{\circ}C$	
Storage Temperature	$T_{stg}$	-65	150	$^{\circ}C$	

Notes: 15. In addition,  $V_{D+}$  should not be greater than  $(V_{A+}) + 0.3V$ .

16. Transient currents of up to 100 mA will not cause SCR latch-up.



**Figure 1. Charge Redistribution DAC**

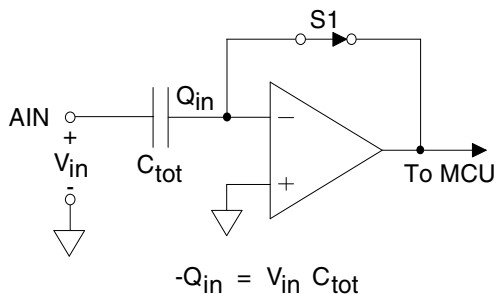
### THEORY OF OPERATION

The CS5012A/14/16 family utilize a successive approximation conversion technique. The analog input is successively compared to the output of a D/A converter controlled by the conversion algorithm. Successive approximation begins by comparing the analog input to the DAC output which is set to half-scale (MSB on, all other bits off). If the input is found to be below half-scale, the MSB is reset to zero and the input is compared to one-quarter scale (next MSB on, all others off). If the input were above half-scale, the MSB would remain high and the next comparison would be at three-quarters of full scale. This procedure continues until all bits have been exercised.

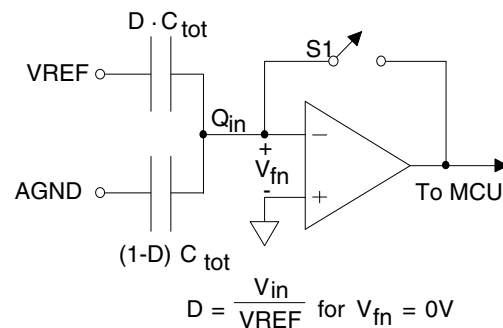
A unique charge redistribution architecture is used to implement the successive approximation

algorithm. Instead of the traditional resistor network, the DAC is an array of binary-weighted capacitors. All capacitors in the array share a common node at the comparator's input. Their other terminals are capable of being connected to AIN, AGND, or VREF (Figure 1). When the device is not calibrating or converting, all capacitors are tied to AIN forming  $C_{tot}$ . Switch S1 is closed and the charge on the array,  $Q_{in}$ , tracks the input signal  $V_{in}$  (Figure 2a).

When the conversion command is issued, switch S1 opens as shown in Figure 2b. This traps charge  $Q_{in}$  on the comparator side of the capacitor array and creates a floating node at the comparator's input. The conversion algorithm operates on this fixed charge, and the signal at the analog input pin is ignored. In effect, the entire DAC capacitor array serves as analog memory



**Figure 2a. Tracking Mode**



**Figure 2b. Convert Mode**

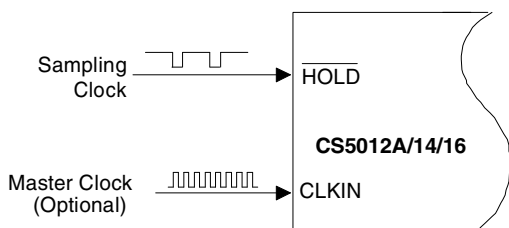
during conversion much like a hold capacitor in a sample/hold amplifier.

The conversion consists of manipulating the free plates of the capacitor array to VREF and AGND to form a capacitive divider. Since the charge at the floating node remains fixed, the voltage at that point depends on the proportion of capacitance tied to VREF versus AGND. The successive-approximation algorithm is used to find the proportion of capacitance, termed D in Figure 2b, which when connected to the reference will drive the voltage at the floating node ( $V_{fn}$ ) to zero. That binary fraction of capacitance represents the converter's digital output.

This charge redistribution architecture easily supports bipolar input ranges. If half the capacitor array (the MSB capacitor) is tied to VREF rather than AIN in the track mode, the input range is doubled and is offset half-scale. The magnitude of the reference voltage thus defines both positive and negative full-scale ( $-V_{REF}$  to  $+V_{REF}$ ), and the digital code is an offset binary representation of the input.

### Calibration

The ability of the CS5012A/14/16 to convert accurately clearly depends on the accuracy of their comparator and DAC. The CS5012A/14/16 utilize an "auto-zeroing" scheme to null errors introduced by the comparator. All offsets are stored on the capacitor array while in the track mode and are effectively subtracted from the input signal when a conversion is initiated.



**Figure 3a. Asynchronous Sampling**

Auto-zeroing enhances power supply rejection at frequencies well below the conversion rate.

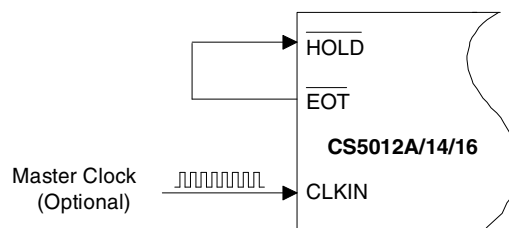
To achieve complete accuracy from the DAC, the CS5012A/14/16 use a novel self-calibration scheme. Each bit capacitor, shown in Figure 1, actually consists of several capacitors which can be manipulated to adjust the overall bit weight. An on-chip microcontroller adjusts the subarrays to precisely ratio the bits. Each bit is adjusted to just balance the sum of all less significant bits plus one dummy LSB (for example,  $16C = 8C + 4C + 2C + C + C$ ). Calibration resolution for the array is a small fraction of an LSB resulting in nearly ideal differential and integral linearity.

### DIGITAL CIRCUIT CONNECTIONS

The CS5012A/14/16 can be applied in a wide variety of master clock, sampling, and calibration conditions which directly affect the devices' conversion time and throughput. The devices also feature on-chip 3-state output buffers and a complete interface for connecting to 8-bit and 16-bit digital systems. Output data is also available in serial format.

### Master Clock

The CS5012A/14/16 operate from a master clock (CLKIN) which can be externally supplied or internally generated. The internal oscillator is activated by externally tying the CLKIN input low. Alternatively, the CS5012A/14/16 can be synchronized to the external system by driving the CLKIN pin with a TTL or CMOS clock signal.



**Figure 3b. Synchronous Sampling**

All calibration, conversion, and throughput times directly scale to CLKIN frequency. Thus, throughput can be precisely controlled and/or maximized using an external CLKIN signal. In contrast, the CS5012A/14/16's internal oscillator will vary from unit-to-unit and over temperature. The CS5012A/14/16 can typically convert with CLKIN as low as 10 kHz at room temperature.

### Initiating Conversions

A falling transition on the  $\overline{\text{HOLD}}$  pin places the input in the hold mode and initiates a conversion cycle. Upon completion of the conversion cycle, the CS5012A/14/16 automatically return to the track mode. In contrast to systems with separate track-and-holds and A/D converters, a sampling clock can simply be connected to the  $\overline{\text{HOLD}}$  input (Figure 3a). The duty cycle of this clock is not critical. It need only remain low at least one CLKIN cycle plus 50 ns, but no longer than the minimum conversion time or an additional conversion cycle will be initiated with inadequate time for acquisition.

### Microprocessor-Controlled Operation

Sampling and conversion can be placed under microprocessor control (Figure 4) by simply gating the devices' decoded address with the write strobe for the  $\overline{\text{HOLD}}$  input. Thus, a write cycle to the CS5012A/14/16's base address will initiate a conversion. However, the write cycle must be to

the odd address (A0 high) to avoid initiating a software controlled reset (see *Reset* below).

The calibration control inputs, CAL, and  $\overline{\text{INTRLV}}$  are inputs to a set of transparent latches. These signals are internally latched by  $\overline{\text{CS}}$  returning high. They must be in the appropriate state whenever the chip is selected during a read or write cycle. Address lines A1 and A2 are shown connected to CAL and  $\overline{\text{INTRLV}}$  in Figure 4 placing calibration under microprocessor control as well. Thus, any read or write cycle to the CS5012A/14/16's base address will initiate or terminate calibration. Alternatively, A0,  $\overline{\text{INTRLV}}$ , and CAL may be connected to the microprocessor data bus.

### Conversion Time/Throughput

Upon completing a conversion cycle and returning to the track mode, the CS5012A/14/16 require time to acquire the analog input signal before another conversion can be initiated. The acquisition time is specified as six CLKIN cycles plus 2.25  $\mu\text{s}$  (1.32  $\mu\text{s}$  for the CS5012A -7 version only). This adds to the conversion time to define the converter's maximum throughput. The conversion time of the CS5012A/14/16, in turn, depends on the sampling, calibration, and CLKIN conditions.

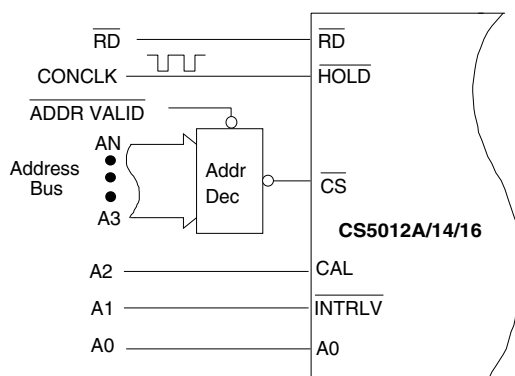


Figure 4a. Conversions Asynchronous to CLKIN

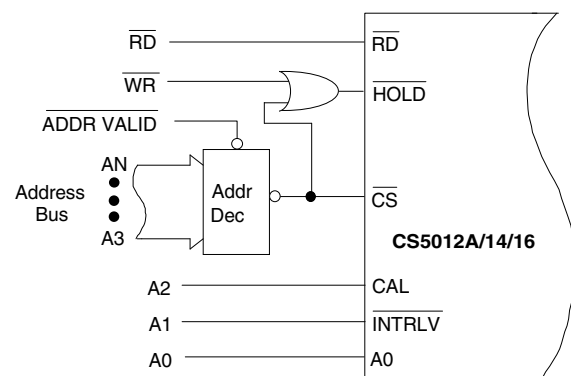
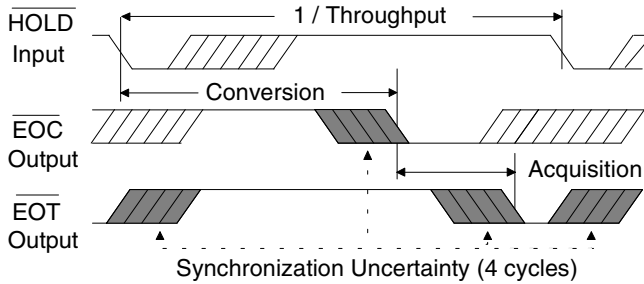
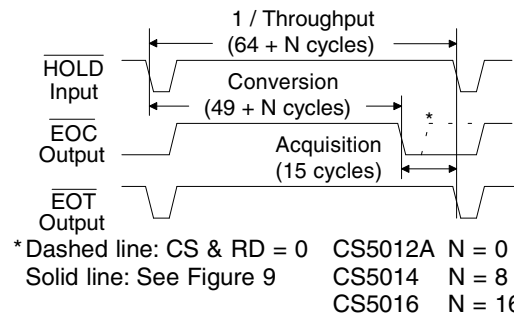


Figure 4b. Conversions under Microprocessor Control


**Figure 5a. Asynchronous Sampling (External Clock)**

### Asynchronous Sampling

The CS5012A/14/16 internally operate from a clock which is delayed and divided down from CLKIN ( $f_{CLK}/4$ ). If sampling is not synchronized to this internal clock, the conversion cycle may not begin until up to four clock cycles after  $\overline{HOLD}$  goes low *even though the charge is trapped immediately*. In this asynchronous mode (Figure 3a), the four clock cycles add to the minimum 49, 57 and 65 clock cycles (for the CS5012A/14/16 respectively) to define the maximum conversion time (see Figure 5a and Table 1).


**Figure 5b. Synchronous (Loopback Mode)**

### Synchronous Sampling

To achieve maximum throughput, sampling can be synchronized with the internal conversion clock by connecting the End-of-Track ( $\overline{EOT}$ ) output to  $\overline{HOLD}$  (Figure 3b). The  $\overline{EOT}$  output falls 15 CLKIN cycles after  $\overline{EOC}$  indicating the analog input has been acquired to the CS5012A/14/16's specified accuracy. The  $\overline{EOT}$  output is synchronized to the internal conversion clock, so the four clock cycle synchronization uncertainty is removed yielding throughput at  $[1/64]f_{CLK}$  for the CS5012A,  $[1/72]f_{CLK}$  for CS5014 and  $[1/80]f_{CLK}$  for CS5016 where  $f_{CLK}$  is the CLKIN frequency (see Figure 5b and Table 1).

Sampling Mode	Conversion Time		Throughput Time	
	Min	Max	Min	Max
<b>CS5012A</b>				
Synchronous (Loopback)	49 $t_{clk}$	49 $t_{clk}$	64 $t_{clk}$	64 $t_{clk}$
Asynchronous	-7 -12,-24	53 $t_{clk} + 235$ ns	N/A	59 $t_{clk} + 1.32$ $\mu$ s 2.25 $\mu$ s
<b>CS5014</b>				
Synchronous (Loopback)	57 $t_{clk}$	57 $t_{clk}$	72 $t_{clk}$	72 $t_{clk}$
Asynchronous	57 $t_{clk}$	61 $t_{clk} + 235$ ns	N/A	67 $t_{clk} + 2.25$ $\mu$ s
<b>CS5016</b>				
Synchronous (Loopback)	65 $t_{clk}$	65 $t_{clk}$	80 $t_{clk}$	80 $t_{clk}$
Asynchronous	65 $t_{clk}$	69 $t_{clk} + 235$ ns	N/A	75 $t_{clk} + 2.25$ $\mu$ s

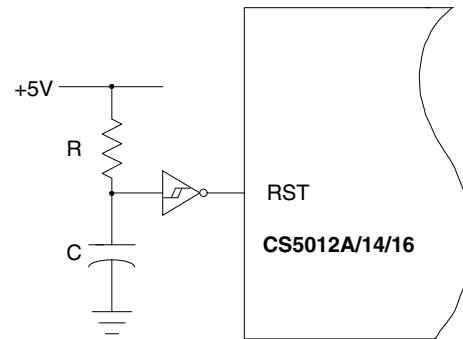
**Table 1. Conversion and Throughput Times ( $t_{clk}$  = Master Clock Period)**

Also, the CS5012A/14/16's internal RC oscillator exhibits jitter (typically  $\pm 0.05\%$  of its period), which is high compared to crystal oscillators. If the CS5012A/14/16 is configured for synchronous sampling while operating from its internal oscillator, this jitter will directly affect sampling purity. The user can obtain best sampling purity while synchronously sampling by using an external crystal-based clock.

### Reset

Upon power up, the CS5012A/14/16 must be reset to guarantee a consistent starting condition and initially calibrate the devices. Due to the CS5012A/14/16's low power dissipation and low temperature drift, no warm-up time is required before reset to accommodate any self-heating effects. However, the voltage reference input should have stabilized to within 5%, 1% or 0.25% of its final value, for the CS5012A/14/16 respectively, before RST falls to guarantee an accurate calibration. Later, the CS5012A/14/16 may be reset at any time to initiate a single full calibration. Reset overrides all other functions. If reset, the CS5012A/14/16 will clear and initiate a new calibration cycle mid-conversion or mid-calibration.

Resets can be initiated in hardware or software. The simplest method of resetting the CS5012A/14/16 involves strobing the RST pin high for at least 100 ns. When RST is brought high all internal logic clears. When it returns low, a full calibration begins which takes 58,280 CLKIN cycles for the CS5012A (approximately 9.1 ms with a 6.4 MHz clock) and 1,441,020 CLKIN cycles for the CS5016 and CS5014. (approximately 360 ms with a 4 MHz CLKIN). A simple power-on reset circuit can be built using a resistor and capacitor, and a Schmitt-trigger inverter to prevent oscillation (see Figure 6). The CS5012A/14/16 can also be reset in software when under microprocessor control. The CS5012A/14/16 will reset whenever  $\overline{CS}$ , A0, and  $\overline{HOLD}$  are taken low simultaneously. See the *Microprocessor Interface* section (below) to



**Figure 6. Power-on Reset Circuit**

eliminate the possibility of inadvertent software reset. The  $\overline{EOC}$  output remains high throughout the calibration operation and will fall upon its completion. It can thus be used to generate an interrupt indicating the CS5012A/14/16 is ready for operation. While calibrating, the  $\overline{HOLD}$  input is ignored until  $\overline{EOC}$  falls. After  $\overline{EOC}$  falls, six CLKIN cycles plus 2.25  $\mu\text{s}$  (1.32  $\mu\text{s}$  for the CS5012A -7 version only) must be allowed for signal acquisition before  $\overline{HOLD}$  is activated. Under microprocessor-independent operation ( $\overline{CS}$ ,  $\overline{RD}$  low; A0 high) the CS5014's and CS5016's  $\overline{EOC}$  output will not fall at the completion of the calibration cycle, but  $\overline{EOT}$  will fall 15 CLKIN cycles later.

### Initiating Calibration

All modes of calibration can be controlled in hardware or software. Accuracy can thereby be insured at any time or temperature throughout operating life. After initial calibration at power-up, the CS5012A/14/16's charge-redistribution design yields better temperature drift and more graceful aging than resistor-based technologies, so calibration is normally only required once, after power-up.

The first mode of calibration, reset, results in a single full calibration cycle. The second type of calibration, "burst" cal, allows control of partial calibration cycles. *Due to an unforeseen condition inside the part, asynchronous termination of calibration may result in a sub-optimal result. Burst cal should not be used.*

The reset calibration always works perfectly, and should be used instead of burst mode. The CS5012A/14/16's very low drift over temperature means that, under most circumstances, calibration will only need to be performed at power-up, using reset.

The CS5012A/14/16 feature a background calibration mode called "interleave." Interleave appends a single calibration experiment to each conversion cycle and thus requires no dead time for calibration. The CS5012A/14/16 gathers data between conversions and will adjust its transfer function once it completes the entire sequence of experiments (one calibration cycle per 2,014 conversions in the CS5012A and one calibration per 72,051 conversions in the CS5014 and CS5016). This is initiated by bringing both the  $\overline{\text{INTRLV}}$  input and  $\overline{\text{CS}}$  low (or hard-wiring  $\overline{\text{INTRLV}}$  low), interleave extends the CS5012A/14/16's effective conversion time by 20 CLKIN cycles. Other than reduced throughput, interleave is totally transparent to the user. Interleave calibration should not be used intermittently.

The fact that the CS5012A/14/16 offer several calibration modes is not to imply that the devices need to be recalibrated often. The devices are very stable in the presence of large temperature changes. Tests have indicated that after using a single reset calibration at 25 °C most devices exhibit very little change in offset or gain when exposed to temperatures from -55 to +125 °C. The data indicated 30 ppm as the typical worst case total change in offset or gain over this temperature range. Differential linearity remained virtually unchanged. System error sources outside of the A/D converter, whether due to changes in

temperature or to long-term aging, will generally dominate total system error.

### ***Microprocessor Interface***

The CS5012A/14/16 feature an intelligent microprocessor interface which offers detailed status information and allows software control of the self-calibration functions. Output data is available in either 8-bit or 16-bit formats for easy interfacing to industry-standard microprocessors.

Strobing both  $\overline{\text{CS}}$  and  $\overline{\text{RD}}$  low enables the CS5012A/14/16's 3-state output buffers with either output data or status information depending on the status of A0. An address bit can be connected to A0 as shown in Figure 4b thereby memory mapping the status register and output data. Conversion status can be polled in software by reading the status register ( $\overline{\text{CS}}$  and  $\overline{\text{RD}}$  strobed low with A0 low), and masking status bits S0-S5 and S7 (by logically AND'ing the status word with 01000000) to determine the value of S6. Similarly, the software routine can determine calibration status using other status bits (see Table 2). *Care must be taken not to read the status register (A0 low) while  $\overline{\text{HOLD}}$  is low, or a software reset will result (see Reset above).*

Alternatively, the End-of-Convert ( $\overline{\text{EOC}}$ ) output can be used to generate an interrupt or drive a DMA controller to dump the output directly into memory after each conversion. The  $\overline{\text{EOC}}$  pin falls as each conversion cycle is completed and data is valid at the output. It returns high within four CLKIN cycles of the first subsequent data read operation or after the start of a new conversion cycle.



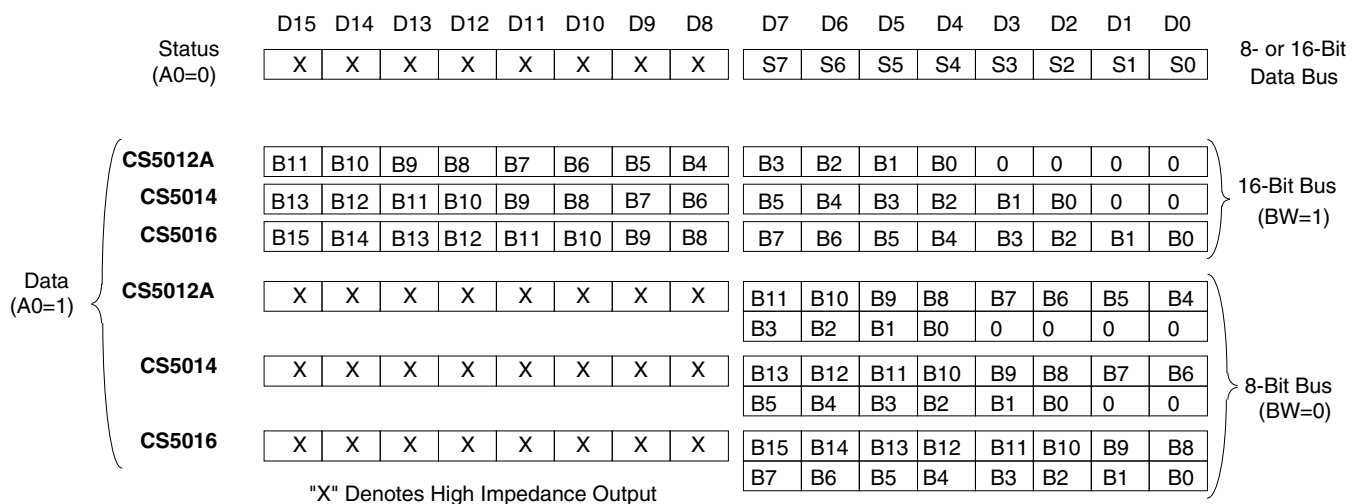
PIN	STATUS BIT	STATUS	DEFINITION
D0	S0	END OF CONVERSION	Falls upon completion of a conversion, and returns high on the first subsequent read.
D1	S1	RESERVED	Reserved for factory use.
D2	S2	LOW BYTE/HIGH BYTE	When data is to be read in an 8-bit format (BW=0), indicates which byte will appear at the output next.
D3	S3	END OF TRACK	When low, indicates the input has been acquired to the devices specified accuracy.
D4	S4	RESERVED	Reserved for factory use.
D5	S5	TRACKING	High when the device is tracking the input.
D6	S6	CONVERTING	High when the device is converting the held input.
D7	S7	CALIBRATING	High when the device is calibrating.

**Table 2. Status Pin Definitions**

To interface with a 16-bit data bus, the BW input to the CS5012A/14/16 should be held high and all data bits (12, 14 and 16 for the CS5012A, CS5014 and CS5016 respectively) read in parallel on pins D4-D15 (CS5012A), D2-D15 (CS5014), or D0-D15 (CS5016). With an 8-bit bus, the converter's result must be read in two portions. In this instance, BW should be held low and the 8 MSB's obtained on the first read cycle following a conversion. The second read cycle will yield the remaining LSB's (4, 6 or 8 for the CS5012A/14/16 respectively) with 4, 2 or 0 trailing zeros. Both bytes appear on pins D0-D7. The upper/lower bytes of the same data will continue to toggle on subsequent reads until the next con-

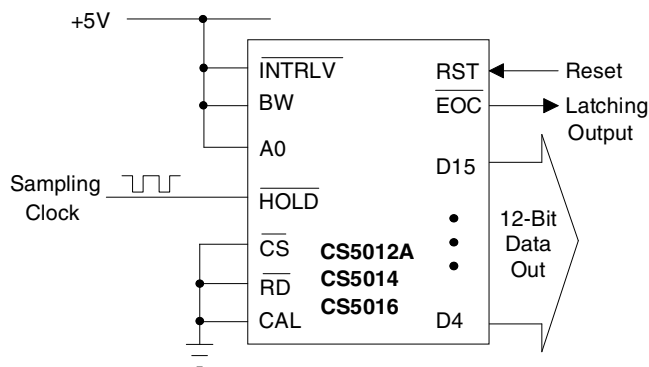
version finishes. Status bit S2 indicates which byte will appear on the next data read operation.

The CS5012A/14/16 internally buffer their output data, so data can be read while the devices are tracking or converting the next sample. Therefore, retrieving the converters' digital output requires no reduction in ADC throughput. Enabling the 3-state outputs while the CS5012A/14/16 is converting will not introduce conversion errors. Connecting CMOS logic to the digital outputs is recommended.


**Figure 7. CS5012A/14/16 Data Format**

### Microprocessor Independent Operation

The CS5012A/14/16 can be operated in a stand-alone mode independent of intelligent control. In this mode,  $\overline{CS}$  and  $\overline{RD}$  are hard-wired low. This permanently enables the 3-state output buffers and allows transparent latch inputs (CAL and  $\overline{INTRLV}$ ) to be active. A free-running condition is established when BW is tied high, CAL is tied low, and  $\overline{HOLD}$  is continually strobed low or tied to  $\overline{EOT}$ . The CS5012A/14/16's  $\overline{EOC}$  output can be used to externally latch the output data if desired. With  $\overline{CS}$  and  $\overline{RD}$  hard-wired low,  $\overline{EOC}$  will strobe low for four CLKIN cycles after each conversion. Data will be unstable up to 100 ns after  $\overline{EOC}$  falls, so it should be latched on the rising edge of  $\overline{EOC}$ .



**Figure 8. Microprocessor-Independent Connections**

### Serial Output

All successive-approximation A/D converters derive their digital output serially starting with the MSB. The CS5012A/14/16 present each bit to the SDATA pin four CLKIN cycles after it is derived and can be latched using the serial clock output, SCLK. Just subsequent to each bit decision SCLK will fall and return high once the bit information on SDATA has stabilized. Thus, the rising edge of the SCLK output should be used to clock the data from the CS5012A/14/16 (See Figure 9).

### ANALOG CIRCUIT CONNECTIONS

Most popular successive-approximation A/D converters generate dynamic loads at their analog

connections. The CS5012A/14/16 internally buffer all analog inputs (AIN, VREF, and AGND) to ease the demands placed on external circuitry. However, accurate system operation still requires careful attention to details at the design stage regarding source impedances as well as grounding and decoupling schemes.

### Reference Considerations

An application note titled "Voltage References for the CS501X Series of A/D Converters" is available for the CS5012A/14/16. In addition to working through a reference circuit design example, it offers several built-and-tested reference circuits.

During conversion, each capacitor of the calibrated capacitor array is switched between VREF and AGND in a manner determined by the successive-approximation algorithm. The charging and discharging of the array results in a current load at the reference. The CS5012A/14/16 include an internal buffer amplifier to minimize the external reference circuit's drive requirement and preserve the reference's integrity. Whenever the array is switched during conversion, the buffer is used to pre-charge the array thereby providing the bulk of the necessary charge. The appropriate array capacitors are then switched to the unbuffered VREF pin to avoid any errors due to offsets and/or noise in the buffer.

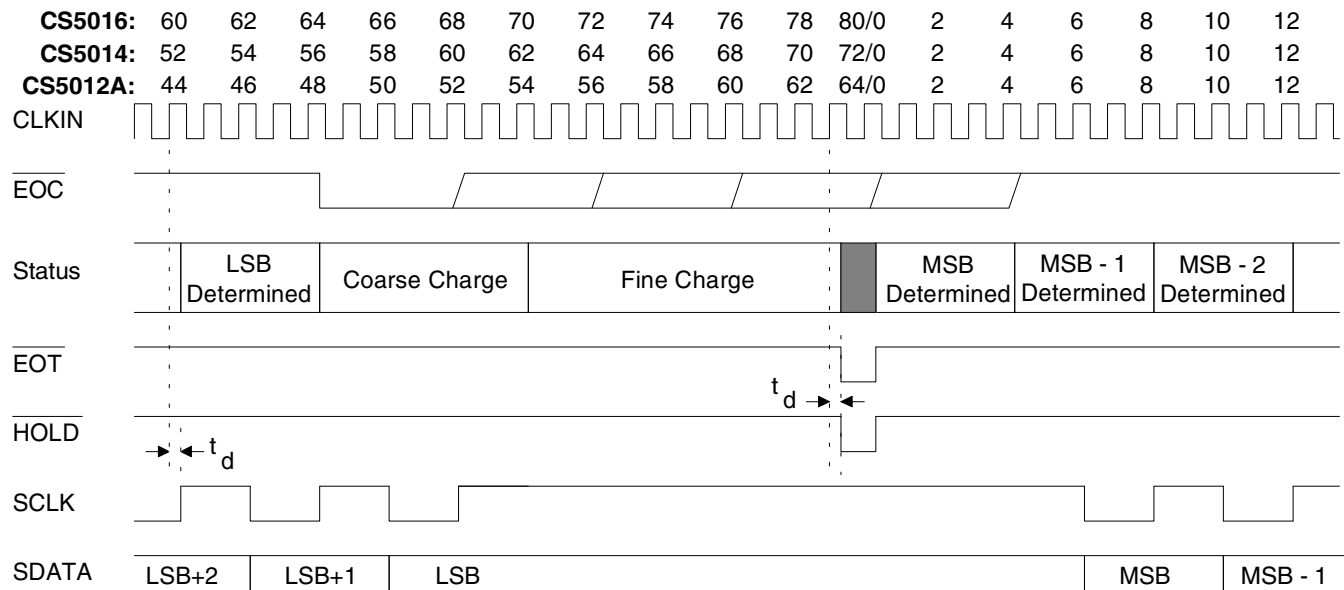
The external reference circuitry need only provide the residual charge required to fully charge the array after pre-charging from the buffer. This creates an ac current load as the CS5012A/14/16 sequence through conversions. The reference circuitry must have a low enough output impedance to drive the requisite current without changing its output voltage significantly. As the analog input signal varies, the switching sequence of the internal capacitor array changes. The current load on the external reference circuitry thus varies in response with the analog input. Therefore, the external reference must not exhibit significant

peaking in its output impedance characteristic at signal frequencies or their harmonics.

A large capacitor connected between VREF and AGND can provide sufficiently low output impedance at the high end of the frequency spectrum, while almost all precision references exhibit extremely low output impedance at dc.

The magnitude of the current load on the external reference circuitry will scale to the CLKIN frequency. At full speed, the reference must supply a maximum load current of 10  $\mu$ A peak-to-peak (1  $\mu$ A typical). For the CS5012A an output impedance of 15  $\Omega$  will therefore yield a maximum error of 150 mV. With a 2.5V reference and LSB size of 600 mV, this would insure better than 1/4 LSB accuracy. A 1  $\mu$ F capacitor exhibits an im-

pedance of less than 15  $\Omega$  at frequencies greater than 10 kHz. Similarly, for the CS5014 with a 4.5V reference (275 $\mu$ V/LSB), better than 1/4 LSB accuracy can be insured with an output impedance of 4 $\Omega$  or less (maximum error of 40  $\mu$ V). A 2.2  $\mu$ F capacitor exhibits an impedance of less than 4 $\Omega$  at frequencies greater than 5kHz. For the CS5016 with a 4.5V reference (69 $\mu$ V/LSB), better than 1/4 LSB accuracy can be insured with an output impedance of less than 2 $\Omega$  (maximum error of 20  $\mu$ V). A 20  $\mu$ F capacitor exhibits an impedance of less than 2 $\Omega$  at frequencies greater than 16 kHz. A high-quality tantalum capacitor in parallel with a smaller ceramic capacitor is recommended.

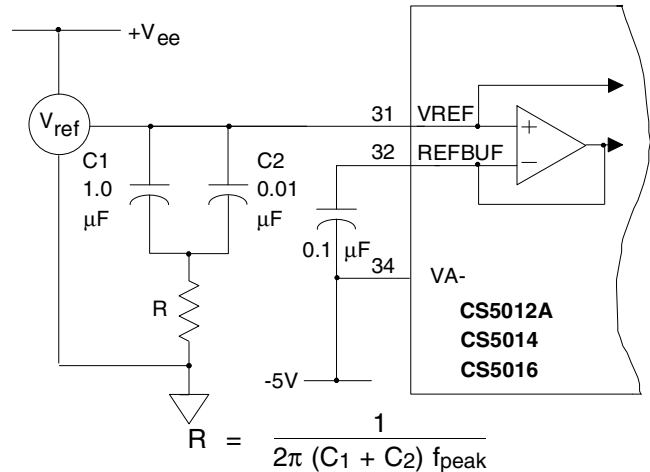


- Notes:
1. Synchronous (loopback) mode is illustrated. After  $\overline{EOC}$  falls the converter goes into coarse charge mode for 6 CLKIN cycles, then to fine charge mode for 9 cycles, then  $\overline{EOT}$  falls. In loopback mode,  $\overline{EOT}$  trips  $\overline{HOLD}$  which captures the analog sample. Conversion begins on the next rising edge of CLKIN. If operated asynchronously,  $\overline{EOT}$  will remain low until after  $\overline{HOLD}$  is taken low. When  $\overline{HOLD}$  occurs the analog sample is captured immediately, but conversion may not begin until four CLKIN cycles later.  $\overline{EOT}$  will return high when conversion begins.
  2. Timing delay  $t_d$  (relative to CLKIN) can vary between 135 ns to 235 ns over the military temperature range and over  $\pm 10\%$  supply variation
  3.  $\overline{EOC}$  returns high in 4 CLKIN cycles if  $A0 = 1$  and  $\overline{CS} = \overline{RD} = 0$  (Microprocessor Independent Mode); within 4 CLKIN cycles after a data read (Microprocessor Mode); or 4 CLKIN cycles after  $\overline{HOLD} = 0$  is recognized on a rising edge of CLKIN/4.

**Figure 9. Serial Output Timing**

Peaking in the reference's output impedance can occur because of capacitive loading at its output. Any peaking that might occur can be reduced by placing a small resistor in series with the capacitors (Figure 10). The equation in Figure 10 can be used to help calculate the optimum value of R for a particular reference. The term "f<sub>peak</sub>" is the frequency of the peak in the output impedance of the reference before the resistor is added.

The CS5012A/14/16 can operate with a wide range of reference voltages, but signal-to-noise performance is maximized by using as wide a signal range as possible. The recommended reference voltage is between 2.5 and 4.5 V for the CS5012A and 4.5 V for the CS5014/16. The CS5012A/14/16 can actually accept reference voltages up to the positive analog supply. However, the buffer's offset may increase as the reference voltage approaches VA+ thereby increasing external drive requirements at VREF. A 4.5V reference is the maximum reference voltage recommended. This allows 0.5V headroom for the internal reference buffer. Also, the buffer enlists the aid of an external 0.1 μF ceramic capacitor which must be tied between its output, REFBUF, and the negative analog supply, VA-. For more information on references, consult the applica-

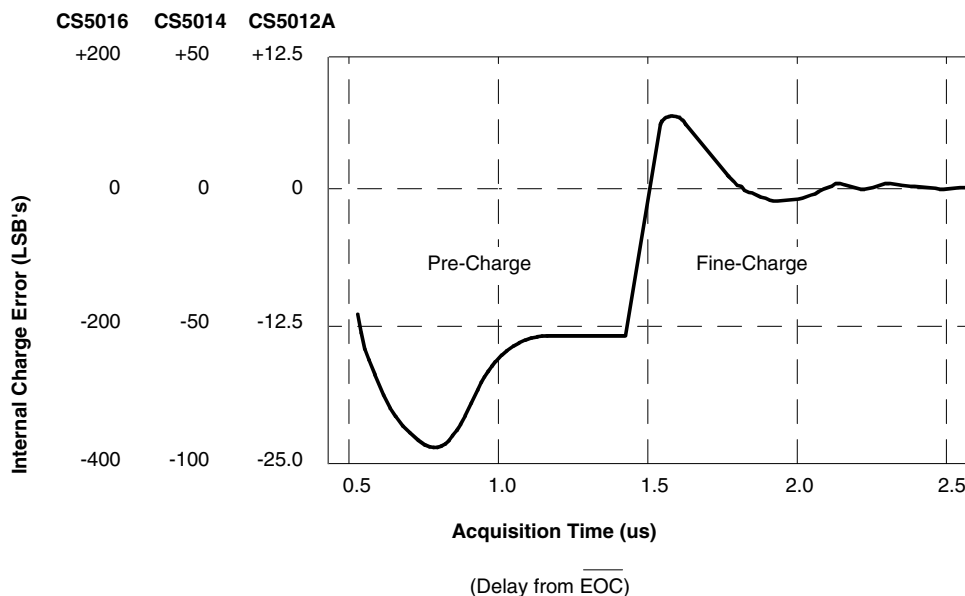


**Figure 10. Reference Connections**

tion note: Voltage References for the CS501X Series of A/D Converters. For an example of using the CS5012A/14/16 with a 5 volt reference, see the application note: A Collection of Application Hints for the CS501X Series of A/D Converters.

### Analog Input Connection

The analog input terminal functions similarly to the VREF input after each conversion when switching into the track mode. During the first six CLKIN cycles in the track mode, the buffered version of the analog input is used for pre-charging the capacitor array. An additional period is required for fine-charging directly from AIN to



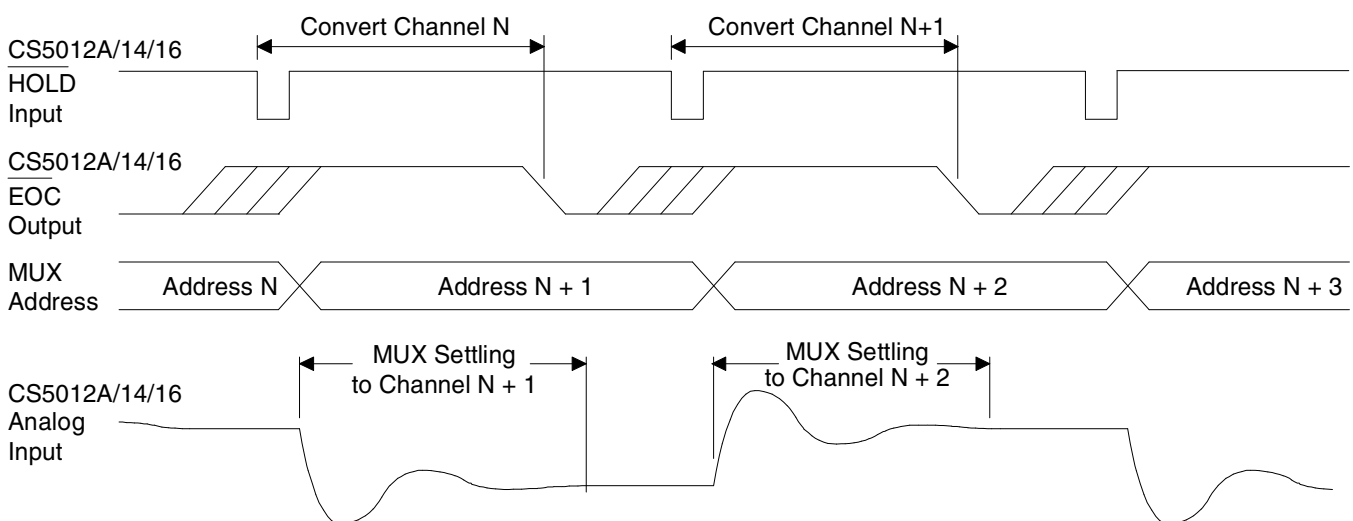
**Figure 11. Internal Acquisition Time**

obtain the specified accuracy. Figure 11 illustrates this operation. During pre-charge the charge on the capacitor array first settles to the buffered version of the analog input. This voltage is offset from the actual input voltage. During fine-charge, the charge then settles to the accurate unbuffered version.

The acquisition time of the CS5012A/14/16 depends on the CLKIN frequency. This is due to a fixed pre-charge period. For instance, operating the CS5012A, CS5014, or CS5016 version with an external 4 MHz CLKIN results in a 3.75  $\mu\text{s}$  acquisition time: 1.5  $\mu\text{s}$  for pre-charging (6 clock cycles) and 2.25  $\mu\text{s}$  for fine-charging. Fine-charge settling is specified as a maximum of 2.25  $\mu\text{s}$  for an analog source impedance of less than 200  $\Omega$ . (For the CS5012A version it is specified as 1.32  $\mu\text{s}$ .) In addition, the comparator requires a source impedance of less than 400  $\Omega$  around 2 MHz for stability, which is met by practically all bipolar op amps. Large dc source impedances can be accommodated by adding capacitance from AIN to ground (typically 200 pF) to decrease source impedance at high frequencies. However, high dc source resistances will increase the input's RC time constant and extend the nec-

essary acquisition time. For more information on input applications, consult the application note: *Input Buffer Amplifiers for the CS501X Family of A/D Converters*.

During the first six clock cycles following a conversion (pre-charge) in unipolar mode, the CS5012A is capable of slewing at 20V/ $\mu\text{s}$  and the CS5014/16 can slew at 5V/ $\mu\text{s}$ . In bipolar mode, only half the capacitor array is connected to the analog input so the CS5012A can slew at 40V/ $\mu\text{s}$ , and the CS5014/16 can slew at 10V/ $\mu\text{s}$ . After the first six CLKIN cycles, the CS5012A will slew at 1.25V/ $\mu\text{s}$  in unipolar mode and 3.0V/ $\mu\text{s}$  in bipolar mode, and the CS5014/16 will slew at 0.25V/ $\mu\text{s}$  in unipolar mode and 0.5V/ $\mu\text{s}$  in bipolar mode. Acquisition of fast slewing signals (step functions) can be hastened if the step occurs during or immediately following the conversion cycle. For instance, channel selection in multiplexed applications should occur while the CS5012A/14/16 is converting (see Figure 12). Multiplexer settling is thereby removed from the overall throughput equation, and the CS5012A/14/16 can convert at full speed.



**Figure 12. Pipelined MUX Input Channels**

### **Analog Input Range/Coding Format**

The reference voltage directly defines the input voltage range in both the unipolar and bipolar configurations. In the unipolar configuration (BP/ $\overline{\text{UP}}$  low), the first code transition occurs 0.5 LSB above AGND, and the final code transition occurs 1.5 LSB's below VREF. Coding is in straight binary format. In the bipolar configuration (BP/ $\overline{\text{UP}}$  high), the first code transition occurs 0.5 LSB above -VREF and the last transition occurs 1.5 LSB's below +VREF. Coding is in an offset-binary format. Positive full scale gives a digital output of all ones, and negative full scale gives a digital output of all zeros.

The BP/ $\overline{\text{UP}}$  mode pin may be switched after calibration without having to recalibrate the converter. However, the BP/ $\overline{\text{UP}}$  mode should be changed during the previous conversion cycle, that is, between  $\overline{\text{HOLD}}$  falling and  $\overline{\text{EOC}}$  falling. If BP/ $\overline{\text{UP}}$  is changed at any other time, one dummy conversion cycle must be allowed for proper acquisition of the input.

### **Grounding and Power Supply Decoupling**

The CS5012A/14/16 use the analog ground connection, AGND, only as a reference voltage. No dc power currents flow through the AGND connection, and it is completely independent of DGND. However, any noise riding on the AGND input relative to the system's analog ground will induce conversion errors. Therefore, both the analog input and reference voltage should be referred to the AGND pin, which should be used as the entire system's analog ground reference point.

The digital and analog supplies to the CS5012A/14/16 are pinned out separately to minimize coupling between the analog and digital sections of the chip. All four supplies should be decoupled to their respective grounds using 0.1  $\mu\text{F}$  ceramic capacitors. If significant low-frequency noise is present on the supplies, 1  $\mu\text{F}$  tantalum capacitors are recommended in parallel with the 0.1  $\mu\text{F}$  capacitors.

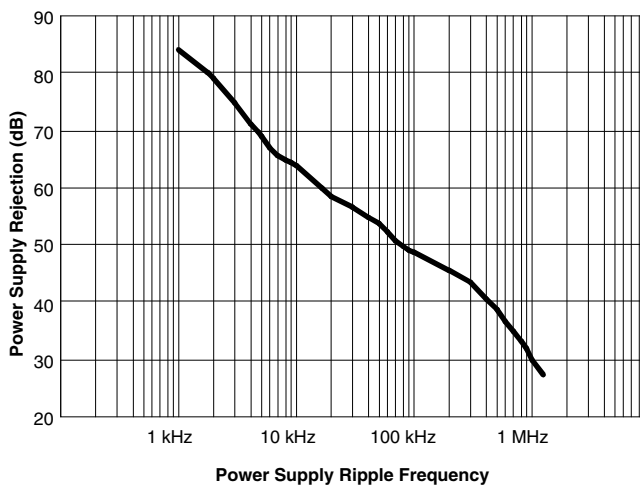
*The positive digital power supply of the CS5012A/14/16 must never exceed the positive analog supply by more than a diode drop or the device could experience permanent damage.* If the two supplies are derived from separate sources, care must be taken that the analog supply comes up first at power-up. The system connection diagram in Figure 36 shows a decoupling scheme which allows the CS5012A/14/16 to be powered from a single set of  $\pm 5\text{V}$  rails.

As with any high-precision A/D converter, the CS5012A/14/16 require careful attention to grounding and layout arrangements. However, no unique layout issues must be addressed to properly apply the device.

### Power Supply Rejection

The CS5012A/14/16's power supply rejection performance is enhanced by the on-chip self-calibration and an "auto-zero" process. Drifts in power supply voltages at frequencies less than the calibration rate have negligible effect on the CS5012A/14/16's accuracy. This is because the CS5012A/14/16 adjust their offset to within a small fraction of an LSB during calibration. Above the calibration frequency the excellent power supply rejection of the internal amplifiers is augmented by an auto-zero process. Any offsets are stored on the capacitor array and are effectively subtracted once conversion is initiated. Figure 13 shows power supply rejection of the CS5012A/14/16 in the bipolar mode with the analog input grounded and a 300 mVp-p ripple applied to each supply. Power supply rejection improves by 6 dB in the unipolar mode.

The plot in Figure 13 shows worst-case rejection for all combinations of conversion rates and input conditions in the bipolar mode.



**Figure 13. Power Supply Rejection**

### CS5012A/14/16 PERFORMANCE

#### Differential Nonlinearity

One source of nonlinearity in A/D converters is bit weight errors. These errors arise from the deviation of bits from their ideal binary-weighted ratios, and lead to nonideal widths for each code. If DNL errors are large, and code widths shrink to zero, it is possible for one or more codes to be entirely missing. The CS5012A/14/16 calibrate all bits in the capacitor array to a small fraction of an LSB resulting in nearly ideal DNL. Histogram plots of typical DNL of the CS5012A/14/16 can be seen in Figures 14, 15, 16.

A histogram test is a statistical method of deriving an A/D converter's differential nonlinearity. A ramp is input to the A/D and a large number of samples are taken to insure a high confidence level in the test's result. The number of occurrences for each code is monitored and stored. A perfect A/D converter would have all codes of equal size and therefore equal numbers of occurrences. In the histogram test a code with the average number of occurrences will be considered ideal (DNL = 0). A code with more or less occurrences than average will appear as a DNL of greater or less than zero LSB. A missing code has zero occurrences, and will appear as a DNL of -1 LSB.

#### Integral Nonlinearity

Integral Nonlinearity (INL; also termed Relative Accuracy or just Nonlinearity) is defined as the deviation of the transfer function from an ideal straight line. Bows in the transfer curve generate harmonic distortion. The worst-case condition of bit-weight errors (DNL) has traditionally also defined the point of maximum INL.

Bit-weight errors have a drastic effect on a converter's ac performance. They can be analyzed as step functions superimposed on the input signal.

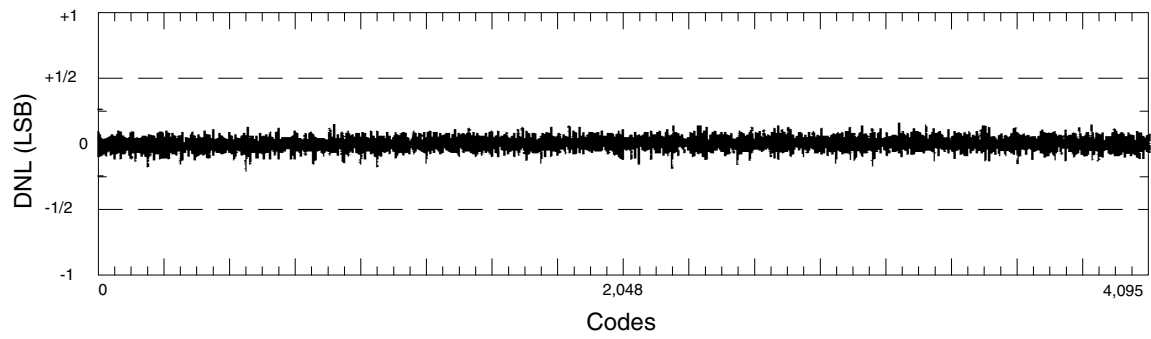


Figure 14. CS5012A Differential Nonlinearity Plot

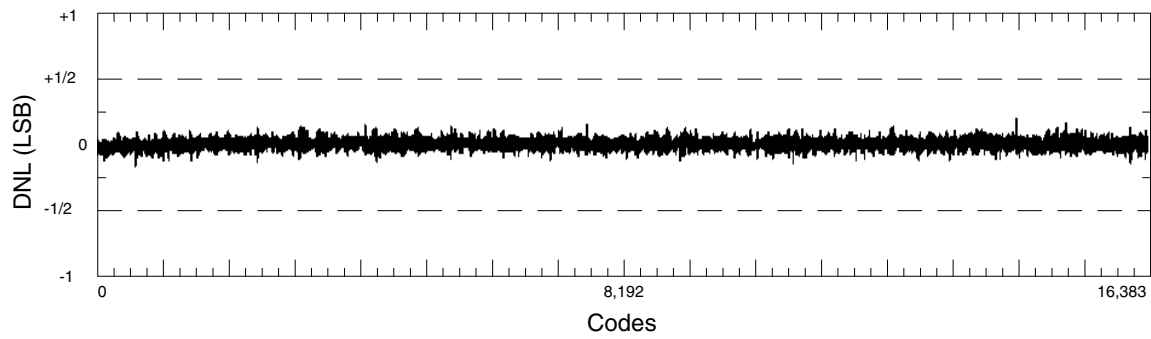


Figure 15. CS5014 Differential Nonlinearity Plot

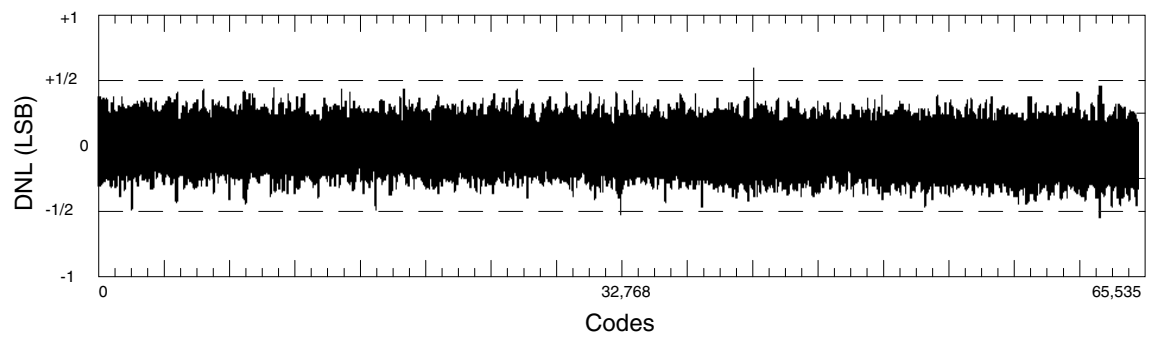


Figure 16. CS5016 Differential Nonlinearity Plot



Since bits (and their errors) switch in and out throughout the transfer curve, their effect is signal dependent. That is, harmonic and intermodulation distortion, as well as noise, can vary with different input conditions. Designing a system around characterization data is risky since transfer curves can differ drastically unit-to-unit and lot-to-lot.

The CS5012A/14/16 achieves repeatable signal-to-noise and harmonic distortion performance using an on-chip self-calibration scheme. The CS5012A calibrates its bit weight errors to a small fraction of an LSB at 12-bits yielding peak distortion below the noise floor (see Figure 18). The CS5014 calibrates its bit weights to within  $\pm 1/16$  LSB at 14-bits ( $\pm 0.0004\%$  FS) yielding peak distortion as low as -105 dB (see Figure 21). The CS5016 calibrates its bit weights to within  $\pm 1/4$  LSB at 16-bits ( $\pm 0.0004\%$  FS) yielding peak distortion as low as -105 dB (see Figure 23). Unlike traditional ADC's, the linearity of the CS5012A/14/16 are not limited by bit-weight errors; their performance is therefore extremely repeatable and independent of input signal conditions.

### *Quantization Noise*

The error due to quantization of the analog input ultimately dictates the accuracy of any A/D converter. The continuous analog input must be represented by one of a finite number of digital codes, so the best accuracy to which an analog input can be known from its digital code is  $\pm 1/2$  LSB. Under circumstances commonly encountered in signal processing applications, this quantization error can be treated as a random variable. The magnitude of the error is limited to  $\pm 1/2$  LSB, but any value within this range has equal probability of occurrence. Such a probability distribution leads to an error "signal" with an rms value of  $1 \text{ LSB}/\sqrt{12}$ . Using an rms signal value of  $\text{FS}/\sqrt{8}$  (amplitude =  $\text{FS}/2$ ), this relates to ideal 12-, 14-, and 16-bit signal-to-noise ratios of 74, 86, and 98 dB respectively.

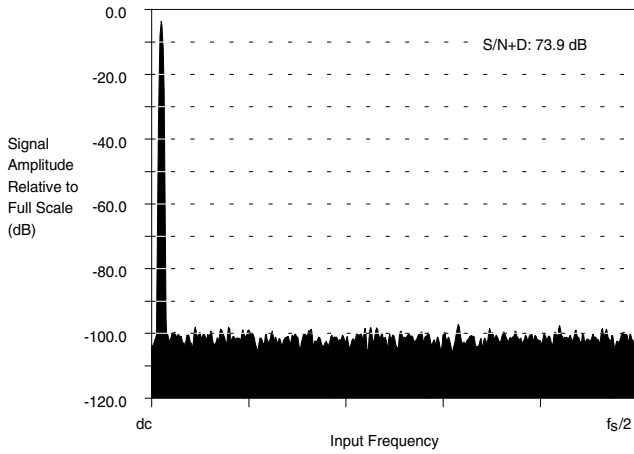
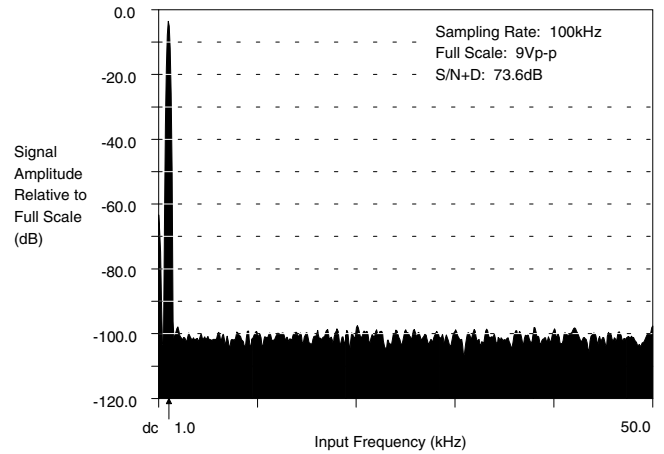
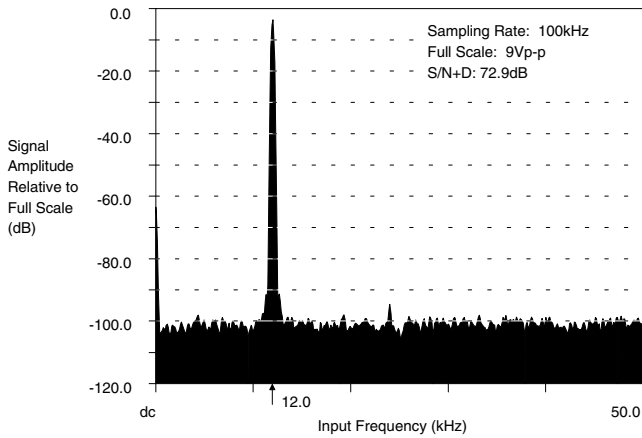
Equally important is the spectral content of this error signal. It can be shown to be approximately white, with its energy spread uniformly over the band from dc to one-half the sampling rate. Advantage of this characteristic can be made by judicious use of filtering. If the signal is band-limited, much of the quantization error can be filtered out, and improved system performance can be attained.

### *FFT Tests and Windowing*

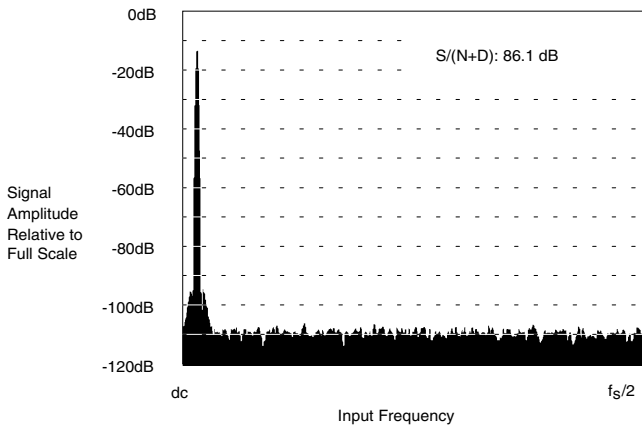
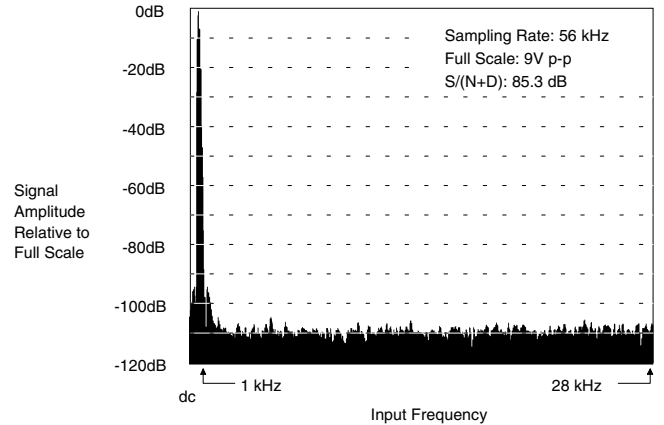
In the factory, the CS5012A/14/16 are tested using Fast Fourier Transform (FFT) techniques to analyze the converter's dynamic performance. A pure sine wave is applied to the CS5012A/14/16, and a "time record" of 1024 samples is captured and processed. The FFT algorithm analyzes the spectral content of the digital waveform and distributes its energy among 512 "frequency bins." Assuming an ideal sine wave, distribution of energy in bins outside of the fundamental and dc can only be due to quantization effects and errors in the CS5012A/14/16.

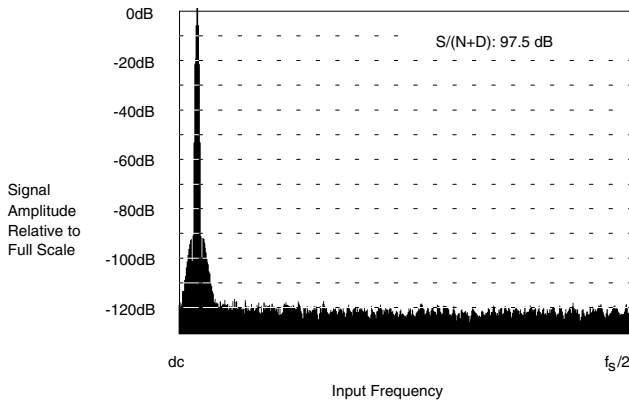
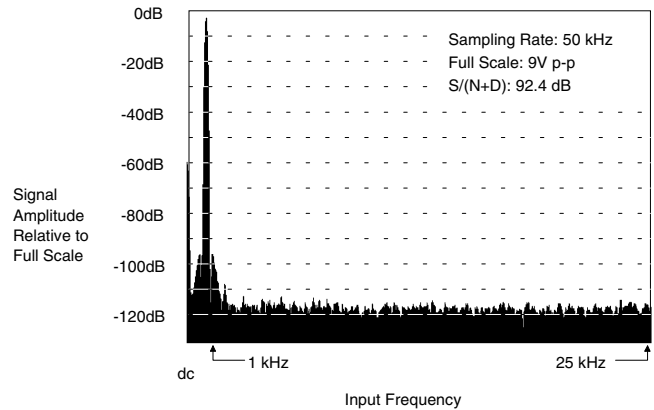
If sampling is not synchronized to the input sine wave, it is highly unlikely that the time record will contain an integer number of periods of the input signal. However, the FFT assumes that the signal is periodic, and will calculate the spectrum of a signal that appears to have large discontinuities, thereby yielding a severely distorted spectrum. To avoid this problem, the time record is multiplied by a window function prior to performing the FFT. The window function smoothly forces the endpoints of the time record to zero, thereby removing the discontinuities. The effect of the window in the frequency-domain is to convolute the spectrum of the window with that of the actual input.

Figure 17 shows an FFT computed from an ideal 12-bit sine wave. The quality of the window used for harmonic analysis is typically judged by its highest side-lobe level. The Blackman-Harris window used for testing the CS5014 and CS5016 has a maximum side-lobe level of -92 dB. Fig-


**Figure 17. Plot of Ideal 12-bit ADC**

**Figure 18. Plot of CS5012A with 1 kHz Full Scale Input**

**Figure 19. FFT Plot of CS5012A with 12 kHz Full-Scale Input**

ures 20 and 22 show FFT plots computed from an ideal 14 and 16-bit sinewave multiplied by a Blackman-Harris window. Artifacts of windowing are discarded from the signal-to-noise calculation using the assumption that quantization noise is white. All FFT plots in this data sheet were derived by averaging the FFT results from ten 1024 point time records. This filters the spectral variability that can arise from capturing finite time records without disturbing the total energy outside the fundamental. All harmonics which exist above the noise floor and the -92 dB side-lobes from the Blackman-Harris window are therefore clearly visible in the plots. For more information on FFT's and windowing refer to: F.J. HARRIS, "On the use of windows for harmonic


**Figure 20. Plot of Ideal 14-bit ADC**

**Figure 21. CS5014 FFT plot with 1 kHz Full Scale Input**

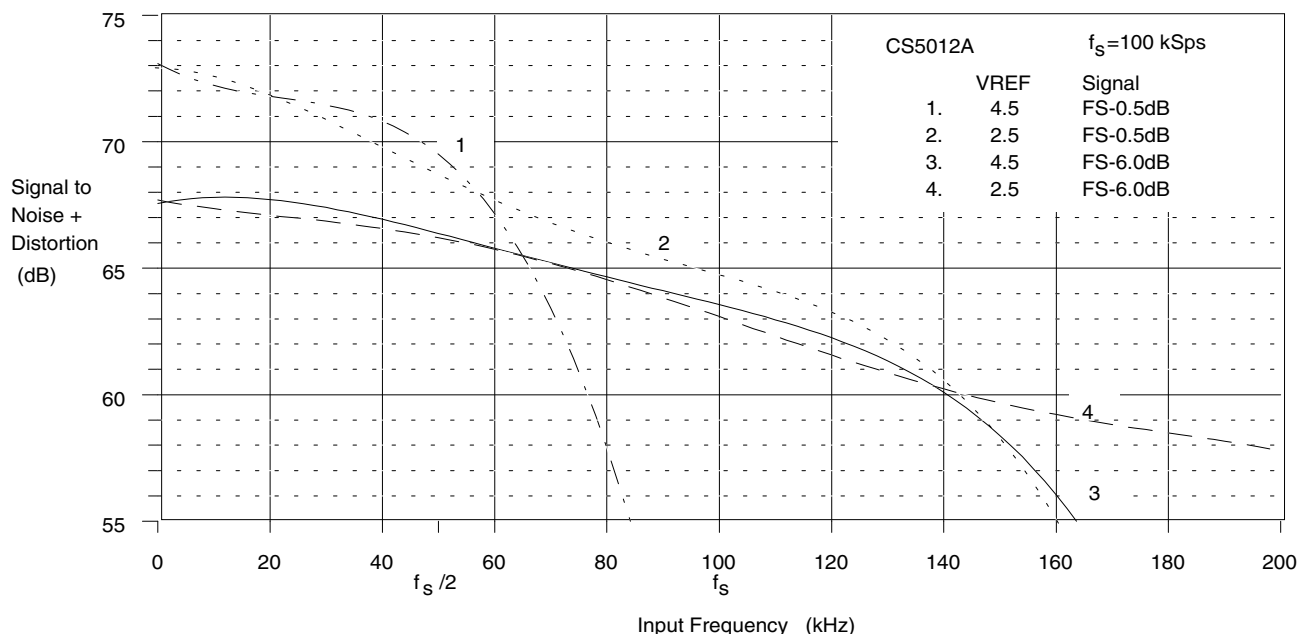

**Figure 22. Plot of Ideal 16-bit ADC**

**Figure 23. CS5016 FFT plot with 1 kHz Full Scale Input**

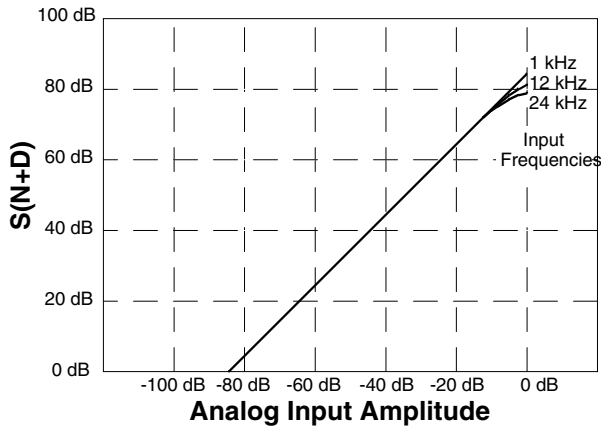
analysis with the Discrete Fourier Transform", Proc. IEEE, Vol. 66, No. 1, Jan 1978, pp.51-83. This is available on request from Crystal Semiconductor.

Figures 18, 21, and 23 show the performance of the CS5012A/14/16 with 1kHz full-scale inputs. Figure 19 shows CS5012A performance with 12kHz full-scale inputs. Notice that the performance CS5012A/14/16 closely approaches that of the corresponding ideal ADC.

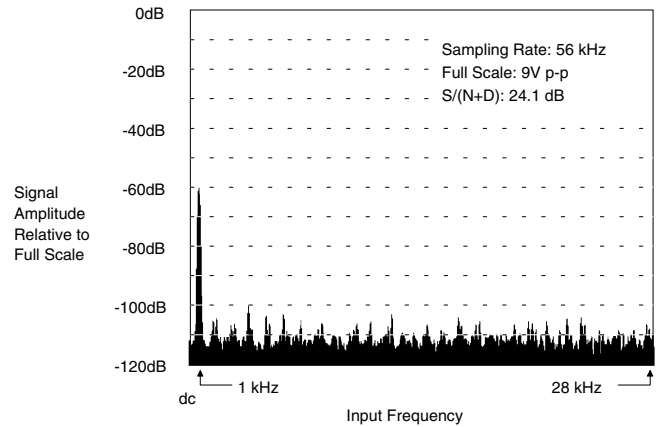
### CS5012A High Frequency Performance

The CS5012A performs very well over a wide range of input frequencies as shown in Figure 24. The figure depicts the CS5012A tested under four different conditions. The conditions include tests with the voltage reference set at 4.5 and at 2.5 volts with input signals at 0.5 dB down from full scale and 6.0 dB down from full scale. The sample rate is at 100 kHz for all cases. The plots indicate that the part performs very well even with input frequencies above the Nyquist rate. Best performance at the higher frequencies is achieved with a 2.5 volt reference.

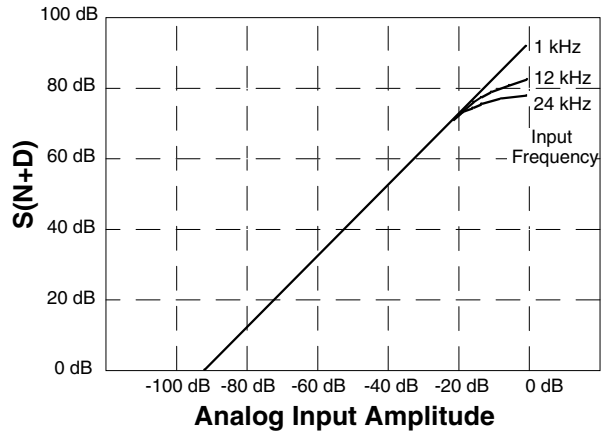

**Figure 24. CS5012A High Frequency Input Performance**



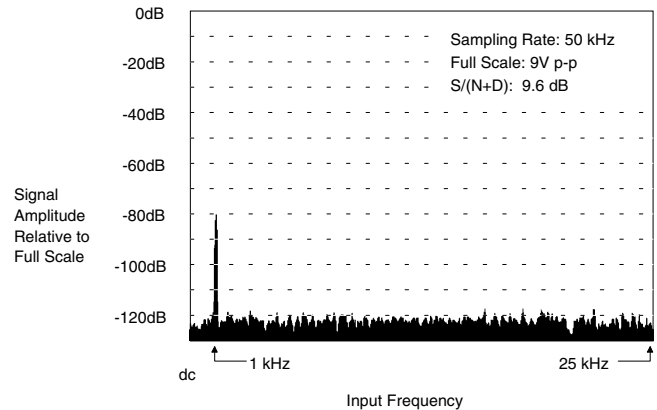
**Figure 25. CS5014 S/(N+D) vs. Input Amplitude (9Vp-p Full-Scale Input)**



**Figure 26. CS5014 FFT plot with 1 kHz -60 dB Input**



**Figure 27. CS5016 S/(N+D) vs. Input Amplitude (9Vp-p Full-Scale Input)**



**Figure 28. CS5016 FFT plot with 1 kHz -80 dB Input**

### **Signal to Noise + Distortion vs Signal Level**

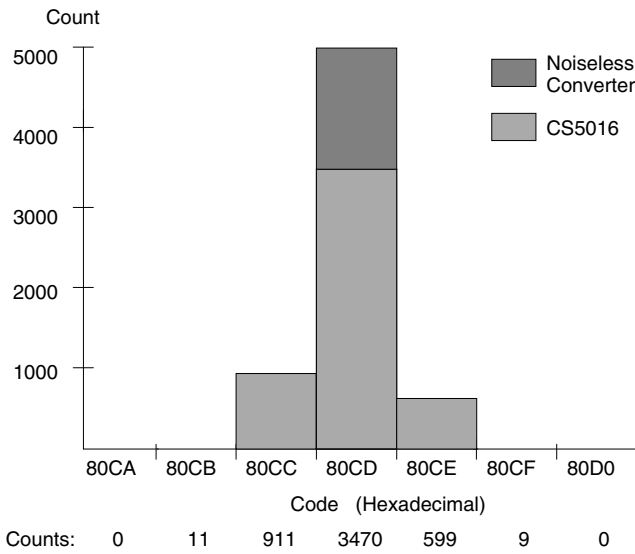
As illustrated in Figures 25 - 28, the CS5014/16's on-chip self-calibration provides very accurate bit weights which yield no degradation in quantization noise with low-level input signals. In fact, quantization noise remains below the noise floor in the CS5016, which dictates the converter's signal-to-noise performance.

### **CS5016 Noise Considerations**

All analog circuitry in the CS5016 is wideband in order to achieve fast conversions and high throughput. Wideband noise in the CS5016 integrates to 35  $\mu$ V rms in unipolar mode (70  $\mu$ V rms in bipolar mode). This is approximately 1/2 LSB

rms with a 4.5V reference in both modes. Figure 29 shows a histogram plot of output code occurrences obtained from 5000 samples taken from a CS5016 in the bipolar mode. Hexadecimal code 80CD was arbitrarily selected and the analog input was set close to code center. With a noiseless converter, code 80CD would always appear. The histogram plot of the CS5016 has a "bell" shape with all codes other than 80CD due to internal noise.

In a sampled data system all information about the analog input applied to the sample/hold appears in the baseband from dc to one-half the sampling rate. This includes high-frequency components which alias into the baseband. Low-pass (anti-alias) filters



**Figure 29. Histogram Plot of 5000 Conversion Inputs from the CS5016**

are therefore used to remove frequency components in the input signal which are above one-half the sample rate. However, all wideband noise introduced by the CS5016 still aliases into the baseband. This "white" noise is evenly spread from dc to one-half the sampling rate and integrates to 35  $\mu$ V rms in unipolar mode.

Noise can be reduced by sampling at higher than the desired word rate and averaging multiple samples for each word. Oversampling spreads the CS5016's noise over a wider band (for lower noise density), and averaging applies a low-pass response which filters noise above the desired signal bandwidth. In general, the CS5016's noise performance can be maximized in any application by always sampling at the maximum specified rate of 50 kHz (for lowest noise density) and digitally filtering to the desired signal bandwidth.

### ***CS5014 and CS5016 Sampling Distortion***

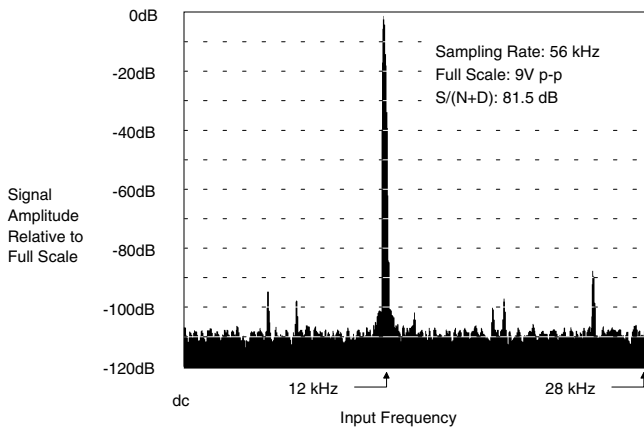
The ultimate limitation on the CS5014/16's linearity (and distortion) arises from nonideal sampling of the analog input voltage. The calibrated capacitor array used during conversions is also used to track and hold the analog input signal. The conversion is not performed on the analog input voltage per se, but is actually per-

formed on the charge trapped on the capacitor array at the moment the HOLD command is given. The charge on the array is ideally related to the analog input voltage by  $Q_{in} = -V_{in} \times C_{tot}$  as shown in Figure 2. Any deviation from this ideal relationship will result in conversion errors even if the conversion process proceeds flawlessly.

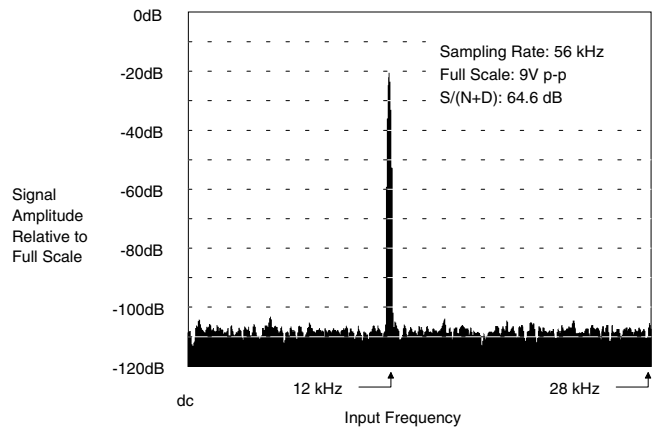
At dc, the DAC capacitor array's voltage coefficient dictates the converter's linearity. This variation in capacitance with respect to applied signal voltage yields a nonlinear relationship between charge  $Q_{in}$  and the analog input voltage  $V_{in}$  and places a bow or wave in the transfer function. This is the dominant source of distortion at low input frequencies (Figures 21 and 23).

The ideal relationship between  $Q_{in}$  and  $V_{in}$  can also be distorted at high signal frequencies due to nonlinearities in the internal MOS switches. Dynamic signals cause ac current to flow through the switches connecting the capacitor array to the analog input pin in the track mode. Nonlinear on-resistance in the switches causes a nonlinear voltage drop. This effect worsens with increased signal frequency as shown in Figures 25 and 27 since the magnitude of the steady state current increases. First noticeable at 1 kHz, this distortion assumes a linear relationship with input frequency. With signals 20 dB or more below full-scale, it no longer dominates the converter's overall  $S/(N+D)$  performance (Figures 30-33).

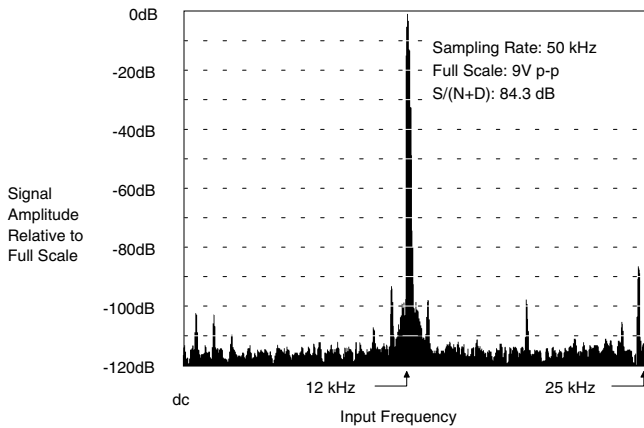
This distortion is strictly an ac sampling phenomenon. If significant energy exists at high frequencies, the effect can be eliminated using an external track-and-hold amplifier to allow the array's charge current to decay, thereby eliminating any voltage drop across the switches. Since the CS5014/16 has a second sampling function on-chip, the external track-and-hold can return to the track mode once the converter's HOLD input falls. It need only acquire the analog input by the time the entire conversion cycle finishes.



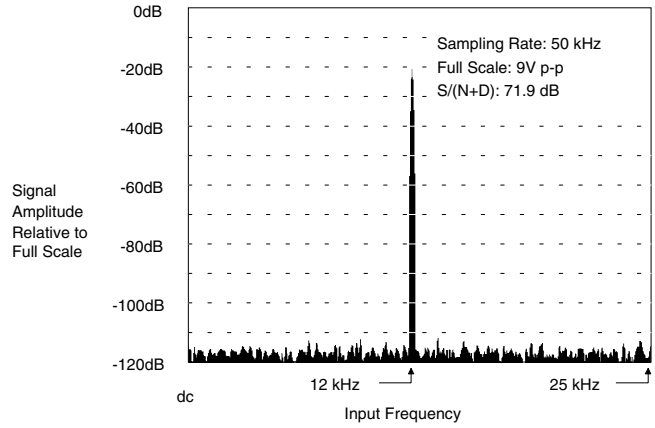
**Figure 30. CS5014 FFT plot with 12 kHz Full-scale Input**



**Figure 31. CS5014 FFT plot with 12 kHz -20 dB Input**



**Figure 32. CS5016 FFT plot with 12 kHz Full-scale Input**



**Figure 33. CS5016 FFT plot with 12 kHz -20 dB Input**

### ***Clock Feedthrough in the CS5014 and CS5016***

Maintaining the integrity of analog signals in the presence of digital switching noise is a difficult problem. The CS5014/16 can be synchronized to the digital system using the CLKIN input to avoid conversion errors due to asynchronous interference. However, digital interference will still affect sampling purity due to coupling between the CS5014/16's analog input and master clock.

The effect of clock feedthrough depends on the sampling conditions. If the sampling signal at the HOLD input is synchronized to the master clock, clock feedthrough will appear as a dc offset at the CS5014/16's output. The offset could theoretically reach the peak coupling magnitude

(Figure 34), but the probability of this occurring is small since the peaks are spikes of short duration.

Master Clock Int/Ext	Freq	Analog Input Source Impedance	Clock Feedthrough RMS	Peak-to-Peak
Internal	2MHz	50 $\Omega$	15uV	70uV
External	2MHz	50 $\Omega$	25uV	110uV
External	4MHz	50 $\Omega$	40uV	150uV
External	4MHz	25 $\Omega$	25uV	110uV
External	4MHz	200 $\Omega$	80uV	325uV

**Figure 35. Examples of Measured Clock Feedthrough**

If sampling is performed asynchronously with the master clock, clock feedthrough will appear as an ac error at the CS5014/16's output. With a fixed

sampling rate, a tone will appear as the clock frequency aliases into the baseband. The tone frequency can be calculated using the equation below and could be selectively filtered in software using DSP techniques.

$$f_{\text{tone}} = (N f_s - f_{\text{clk}})$$

where  $N = f_{\text{clk}}/f_s$  rounded to the nearest integer

The magnitude of clock feedthrough depends on the master clock conditions and the source impedance applied to the analog input. When operating with the CS5014/16's internally generated clock, the CLKIN input is grounded and the dominant source of coupling is through the device's substrate. As shown in Figure 35, a typical CS5014/16 operating with their internal oscillator at 2 MHz and 50  $\Omega$  of analog input source impedance will exhibit only 15  $\mu\text{V}$  rms of clock feedthrough. However, if a 2 MHz external clock is applied to CLKIN under the same conditions, feedthrough increases to 25  $\mu\text{V}$  rms. Feedthrough also increases with clock frequency; a 4 MHz clock yields 40  $\mu\text{V}$  rms.

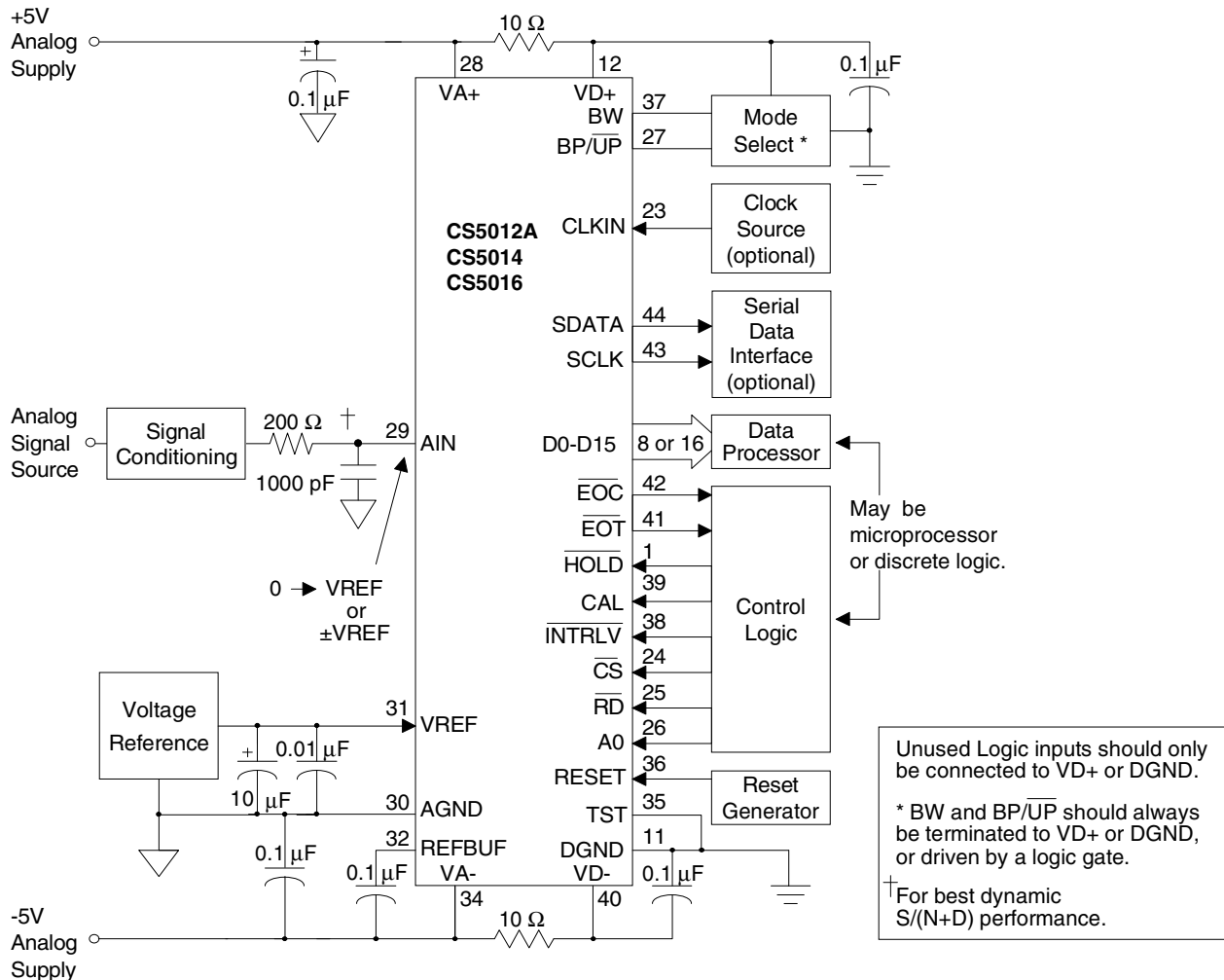
Clock feedthrough can be reduced by limiting the source impedance applied at the analog input. As shown in Figure 35, reducing source impedance from 50  $\Omega$  to 25  $\Omega$  yields a 15  $\mu\text{V}$  rms reduction in feedthrough. Therefore, when operating the CS5014/16 with high-frequency external master clocks, it is important to minimize source impedance applied to the CS5014/16's input.

Also, the overall effect of clock feedthrough can be minimized by maximizing the input range and LSB size. The reference voltage applied to VREF can be maximized, and the CS5014/16 can be operated in bipolar mode which inherently doubles the LSB size over the unipolar mode.

HOLD	CS	CAL	INTRLV	RD	A0	RST	Function
↓	X	X	X	X	*	0	Hold and Start Convert
X	0	1	X	X	*	0	Initiate Burst Calibration
1	0	0	X	X	*	0	Stop Burst Cal and Begin Track
X	0	X	0	X	*	0	Initiate Interleave Calibration
X	0	X	1	X	*	0	Terminate Interleave Cal
X	0	X	X	0	1	0	Read Output Data
1	0	X	X	0	0	0	Read Status Register
X	1	X	X	X	*	X	High Impedance Data Bus
X	X	X	X	1	*	X	High Impedance Data Bus
X	X	X	X	X	X	1	Reset
0	0	X	X	X	0	X	Reset

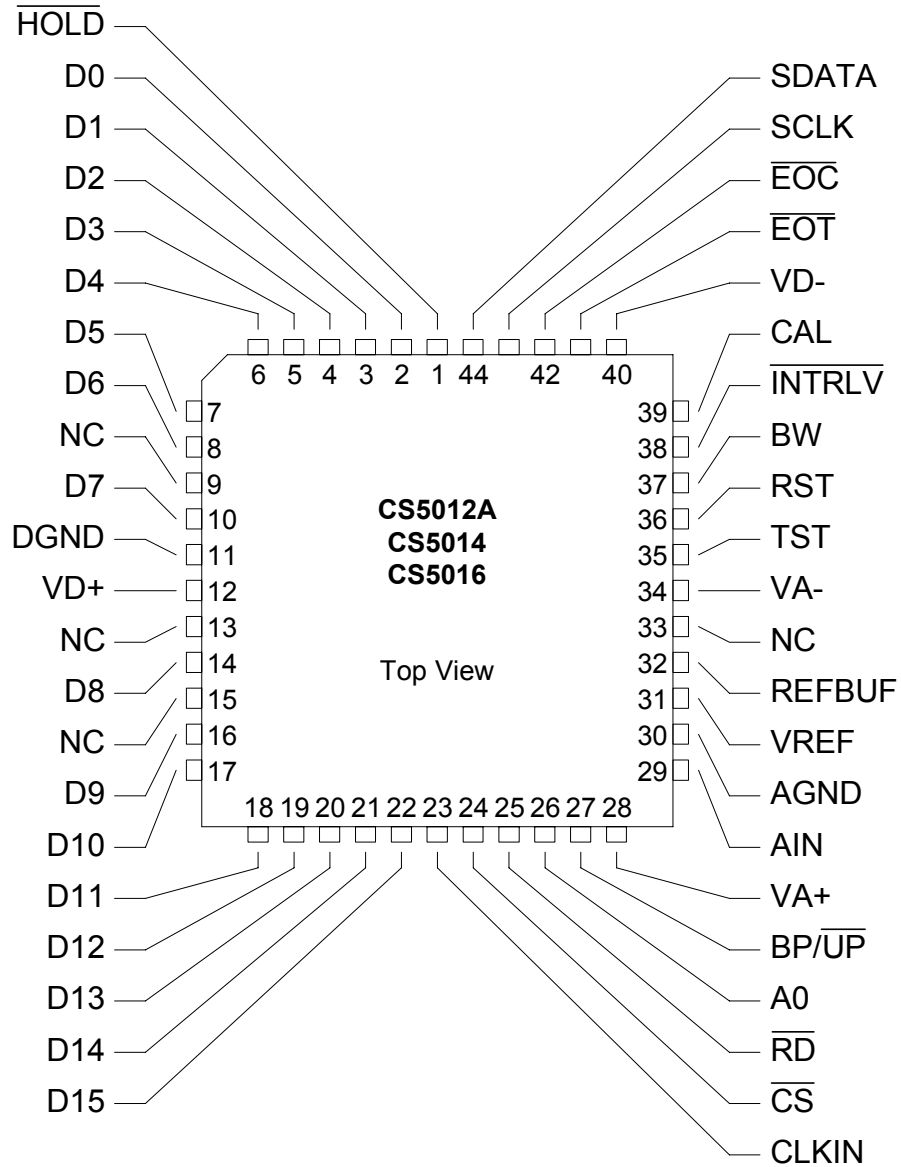
\* The status of A0 is not critical to the operation specified. However, A0 should not be low with CS and HOLD low, or a software reset will result.

**Table 4. CS5012A/14/16 Truth Table**



**Figure 36. CS5012A/14/16 System Connection Diagram**



**DEVICE PINOUT**


## PIN DESCRIPTIONS

### *Power Supply Connections*

**VD+** – Positive Digital Power, PIN 12.

Positive digital power supply. Nominally +5 volts.

**VD-** – Negative Digital Power, PIN 40.

Negative digital power supply. Nominally -5 volts.

**DGND** – Digital Ground, PIN 11.

Digital ground.

**VA+** – Positive Analog Power, PIN 28.

Positive analog power supply. Nominally +5 volts.

**VA-** – Negative Analog Power, PIN 34.

Negative analog power supply. Nominally -5 volts.

**AGND** – Analog Ground, PIN 30.

Analog ground.

### *Oscillator*

**CLKIN** – Clock Input, PIN 23.

All conversions and calibrations are timed from a master clock which can either be supplied by driving this pin with an external clock signal, or can be internally generated by tying this pin to DGND.

### *Digital Inputs*

 **$\overline{\text{HOLD}}$**  – Hold, PIN 1.

A falling transition on this pin sets the CS5012A/14/16 to the hold state and initiates a conversion. This input must remain low at least one CLKIN cycle plus 50 ns.

 **$\overline{\text{CS}}$**  – Chip Select, PIN 24.

When high, the data bus outputs are held in a high impedance state and the input to CAL and  $\overline{\text{INTRLV}}$  are ignored. A falling transition initiates or terminates burst or interleave calibration (depending on the status of CAL and  $\overline{\text{INTRLV}}$ ) and a rising transition latches both the CAL and INTRLV inputs. If RD is low, the data bus is driven as indicated by BW and A0.

 **$\overline{\text{RD}}$**  – Read, PIN 25.

When  $\overline{\text{RD}}$  and  $\overline{\text{CS}}$  are both low, data is driven onto the data bus. If either signal is high, the data bus outputs are held in a high impedance state. The data driven onto the bus is determined by BW and A0.

**A0 – Read Address, PIN 26.**

Determines whether data or status information is placed onto the data bus. When high during the read operation, converted data is placed onto the data bus; when low, the status register is driven onto the bus.

**BP/ $\overline{\text{UP}}$  – Bipolar/Unipolar Input Select, PIN 27.**

When high, the device is configured with a bipolar transfer function ranging from -VREF to +VREF. Encoding is in an offset binary format, with the mid-scale code 100...0000 centered at AGND. When low, the device is configured for a unipolar transfer function from AGND to VREF. Unipolar encoding is in straight binary format. Once calibration has been performed, either bipolar or unipolar mode may be selected without the need to recalibrate.

**RST – Reset, PIN 36.**

When taken high for at least 100 ns, all internal digital logic is reset. Upon being taken low, a full calibration sequence is initiated.

**BW – Bus Width Select, PIN 37.**

When hard-wired high, all 12 data bits are driven onto the bus simultaneously during a data read cycle. When low, the bus is in a byte wide format. On the first read following a conversion, the eight MSB's are driven onto D0-D7. A second read cycle places the four LSB's with four trailing zeros on D0-D7. Subsequent reads will toggle the higher/lower order byte. Regardless of BW's status, a read cycle with A0 low yields the status information on D0-D7.

 **$\overline{\text{INTRLV}}$  – Interleave, PIN 38.**

When latched low using  $\overline{\text{CS}}$ , the device goes into interleave calibration mode. A full calibration will complete every 2,014 conversions in the CS5012A, and every 72,051 conversions in the CS5014/16. The effective conversion time extends by 20 clock cycles.

**CAL – Calibrate, PIN 39.**

When latched high using  $\overline{\text{CS}}$ , burst calibration results. The device cannot perform conversions during the calibration period which will terminate only once CAL is latched low again. Calibration picks up where the previous calibration left off, and calibration cycles complete every 58,280 CLKIN cycles in the CS5012A, and every 1,441,020 CLKIN cycles in the CS5014/16. If the device is converting when a calibration is signaled, it will wait until that conversion completes before beginning.

**Analog Inputs****AIN – Analog Input, PIN 29.**

Input range in the unipolar mode is zero volts to VREF. Input range in bipolar mode is -VREF to +VREF. The output impedance of buffer driving this input should be less than or equal to 200  $\Omega$ .

**VREF – Voltage Reference, PIN 31.**

The analog reference voltage which sets the analog input range. It represents positive full scale for both bipolar and unipolar operation, and its magnitude sets negative full scale in bipolar mode.

***Digital Outputs*****D0 through D15 – Data Bus Outputs, PINS 2 thru 8, 10, 14, 16 thru 22.**

3-state output pins. Enabled by  $\overline{CS}$  and  $\overline{RD}$ , they offer the converter's output in a format consistent with the state of BW if A0 is high. If A0 is low, bits D0-D7 offer status register data.

 **$\overline{EOT}$  – End Of Track, PIN 41.**

If low, indicates that enough time has elapsed since the last conversion for the device to acquire the analog input signal.

 **$\overline{EOC}$  – End Of Conversion, PIN 42.**

This output indicates the end of a conversion or calibration cycle. It is high during a conversion and will fall to a low state upon completion of the conversion cycle indicating valid data is available at the output. Returns high on the first subsequent read or the start of a new conversion cycle.

**SDATA – Serial Output, PIN 44.**

Presents each output data bit after it is determined by the successive approximation algorithm. Valid on the rising edge of SCLK, data appears MSB first, LSB last, and each bit remains valid until the next bit appears.

**SCLK – Serial Clock Output, PIN 43.**

Used to clock converted output data serially from the CS5012A/14/16. Serial data is stable on the rising edge of SCLK.

***Analog Outputs*****REFBUF – Reference Buffer Output, PIN 32.**

Reference buffer output. A 0.1  $\mu$ F ceramic capacitor must be tied between this pin and VA-.

***Miscellaneous*****TST – Test, PIN 35.**

Allows access to the CS5012A/14/16's test functions which are reserved for factory use. Must be tied to DGND.

## PARAMETER DEFINITIONS

### Linearity Error

The deviation of a code from a straight line passing through the endpoints of the transfer function after zero- and full-scale errors have been accounted for. "Zero-scale" is a point 1/2 LSB below the first code transition and "full-scale" is a point 1/2 LSB beyond the code transition to all ones. The deviation is measured from the middle of each particular code. Units in % Full-Scale.

### Differential Linearity

Minimum resolution for which no missing codes is guaranteed. Units in bits.

### Full Scale Error

The deviation of the last code transition from the ideal ( $V_{REF}-3/2$  LSB's).  
Units in LSB's.

### Unipolar Offset

The deviation of the first code transition from the ideal (1/2 LSB above AGND) when in unipolar mode (BP/UP low). Units in LSB's.

### Bipolar Offset

The deviation of the mid-scale transition (011...111 to 100...000) from the ideal (1/2 LSB below AGND) when in bipolar mode (BP/UP high). Units in LSB's.

### Bipolar Negative Full-Scale Error

The deviation of the first code transition from the ideal when in bipolar mode (BP/ $\overline{UP}$  high). The ideal is defined as lying on a straight line which passes through the final and mid-scale code transitions. Units in LSB's.

### Peak Harmonic or Spurious Noise (More accurately, Signal to Peak Harmonic or Spurious Noise)

The ratio of the rms value of the signal to the rms value of the next largest spectral component below the Nyquist rate (excepting dc). This component is often an aliased harmonic when the signal frequency is a significant proportion of the sampling rate. Expressed in decibels.

### Total Harmonic Distortion

The ratio of the rms sum of all harmonics to the rms value of the signal. Units in percent.

### Signal-to-Noise Ratio

The ratio of the rms value of the signal to the rms sum of all other spectral components below the Nyquist rate (excepting dc), including distortion components. Expressed in decibels.

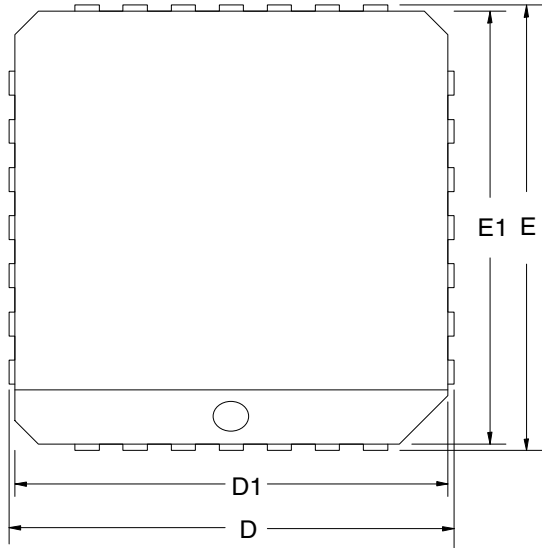
### Aperture Time

The time required after the hold command for the sampling switch to open fully. Effectively a sampling delay which can be nulled by advancing the sampling signal. Units in nanoseconds.

### Aperture Jitter

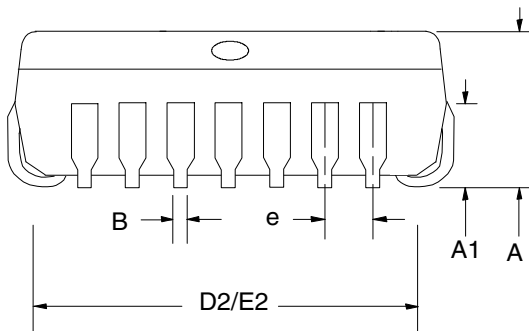
The range of variation in the aperture time. Effectively the "sampling window" which ultimately dictates the maximum input signal slew rate acceptable for a given accuracy. Units in picoseconds.

*NOTE: Temperatures specified define ambient conditions in free-air during test and do not refer to the junction temperature of the device.*

**PACKAGE DIMENSIONS**


**44 pin  
PLCC**

DIM	NO. OF TERMINALS					
	MILLIMETERS			INCHES		
	MIN	NOM	MAX	MIN	NOM	MAX
<b>A</b>	4.20	4.45	4.57	0.165	0.175	0.180
<b>A1</b>	2.29	2.79	3.04	0.090	0.110	0.120
<b>B</b>	0.33	0.41	0.53	0.013	0.016	0.021
<b>D/E</b>	17.40	17.53	17.65	0.685	0.690	0.695
<b>D1/E1</b>	16.51	16.59	16.66	0.650	0.653	0.656
<b>D2/E2</b>	14.99	15.50	16.00	0.590	0.610	0.630
<b>e</b>	1.19	1.27	1.35	0.047	0.050	0.053



**4. ORDERING INFORMATION**

Model	Conversion Time	Throughput	Linearity	Temperature	Package
CS5012A-BL7	7.2 $\mu$ s	100 kSps	$\pm\frac{1}{2}$ LSB	-40 to +85 °C	44-pin PLCC
CS5012A-BL7Z (lead free)					
CS5014-BL14	14.25 $\mu$ s	56 kSps			
CS5014-BL14Z (lead free)					

Model	Conversion Time	S/N Ratio	Linearity	Temperature	Package
CS5016-BL16	16.25 $\mu$ s	90 dB	0.0015%	-40 to +85 °C	44-pin PLCC
CS5016-BL16Z (lead free)					

**5. ENVIRONMENTAL, MANUFACTURING, & HANDLING INFORMATION**

Model	Peak Relfow Temp	MSL Rating*	Maximum Floor Life
CS5012A-BL7	225 °C	2	365 Days
CS5012A-BL7Z (lead free)	260 °C		
CS5014-BL14	225 °C	2	
CS5014-BL14Z (lead free)	260 °C		
CS5016-BL16	225 °C	2	
CS5016-BL16Z (lead free)	260 °C		

\* MSL (Moisture Sensitivity Level) as specified by IPC/JDEC J-STD-020.

---

## Contacting Cirrus Logic Support

For all product questions and inquiries contact a Cirrus Logic Sales Representative.

To find the one nearest to you go to [www.cirrus.com](http://www.cirrus.com)

---

### IMPORTANT NOTICE

Cirrus Logic, Inc. and its subsidiaries ("Cirrus") believe that the information contained in this document is accurate and reliable. However, the information is subject to change without notice and is provided "AS IS" without warranty of any kind (express or implied). Customers are advised to obtain the latest version of relevant information to verify, before placing orders, that information being relied on is current and complete. All products are sold subject to the terms and conditions of sale supplier at the time of order acknowledgment, including those pertaining to warranty, indemnification, and limitation of liability. No responsibility is assumed by Cirrus for the use of this information, including use of this information as the basis for manufacture or sale of any items, or for infringement of patents or other rights of third parties. This document is the property of Cirrus and by furnishing this information, Cirrus grants no license, express or implied under any patents, mask work rights, copyrights, trademarks, trade secrets or other intellectual property rights. Cirrus owns the copyrights associated with the information contained herein and gives consent for copying to be made of the information only for use within your organization with respect to Cirrus integrated circuits or other products of Cirrus. This consent does not extend to other copying such as copying for general distribution, advertising or promotional purposes, or for creating any work for resale.

CERTAIN APPLICATIONS USING SEMICONDUCTOR PRODUCTS MAY INVOLVE POTENTIAL RISKS OF DEATH, PERSONAL INJURY, OR SEVERE PROPERTY OR ENVIRONMENTAL DAMAGE ("CRITICAL APPLICATIONS"). CIRRUS PRODUCTS ARE NOT DESIGNED, AUTHORIZED OR WARRANTED FOR USE IN AIRCRAFT SYSTEMS, MILITARY APPLICATIONS, PRODUCTS SURGICALLY IMPLANTED INTO THE BODY, AUTOMOTIVE SAFETY OR SECURITY DEVICES, LIFE SUPPORT PRODUCTS OR OTHER CRITICAL APPLICATIONS. INCLUSION OF CIRRUS PRODUCTS IN SUCH APPLICATIONS IS UNDERSTOOD TO BE FULLY AT THE CUSTOMER'S RISK AND CIRRUS DISCLAIMS AND MAKES NO WARRANTY, EXPRESS, STATUTORY OR IMPLIED, INCLUDING THE IMPLIED WARRANTIES OF MERCHANTABILITY AND FITNESS FOR PARTICULAR PURPOSE, WITH REGARD TO ANY CIRRUS PRODUCT THAT IS USED IN SUCH A MANNER. IF THE CUSTOMER OR CUSTOMER'S CUSTOMER USES OR PERMITS THE USE OF CIRRUS PRODUCTS IN CRITICAL APPLICATIONS, CUSTOMER AGREES, BY SUCH USE, TO FULLY INDEMNIFY CIRRUS, ITS OFFICERS, DIRECTORS, EMPLOYEES, DISTRIBUTORS AND OTHER AGENTS FROM ANY AND ALL LIABILITY, INCLUDING ATTORNEYS' FEES AND COSTS, THAT MAY RESULT FROM OR ARISE IN CONNECTION WITH THESE USES.

Cirrus Logic, Cirrus, and the Cirrus Logic logo designs are trademarks of Cirrus Logic, Inc. All other brand and product names in this document may be trademarks or service marks of their respective owners.