

# General Accessories

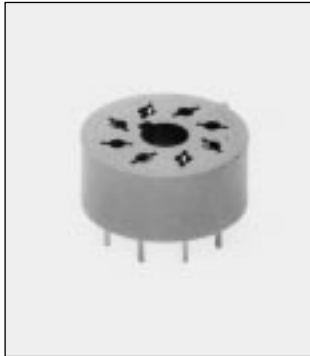
## Sockets

### Types S, D, ZPD, ZVD



**Socket types S 008, S 011**  
For mounting on printed circuits.

**S 008**  
8-pole circular socket.

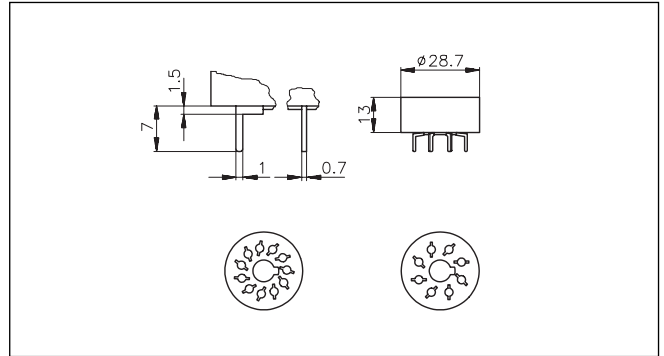


**S 011**  
11-pole circular socket.



**Material**  
**Colour**  
**Material of spring**  
**Printed circuit hole diameter**  
**Approvals**

Glasfilled Noryl SE 1  
Light grey  
Tin-plated brass  
Min. 1.5 mm  
UL, CSA



**Socket types S 108, S 111**  
For mounting on or below a chassis with soldering and plug connections (AMP 187).

**S 108**  
8-pole circular socket.

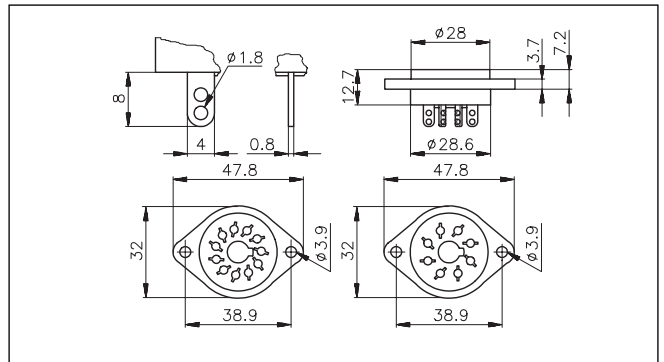


**S 111**  
11-pole circular socket.



**Material**  
**Colour**  
**Material of spring**  
**Approvals**

Glasfilled Noryl SE 1  
Light grey  
Tin-plated brass  
UL, CSA



**Socket types S 108 A, S 111 A**  
For mounting on or below a chassis or printed circuits.

**S 108 A**  
8-pole circular socket.

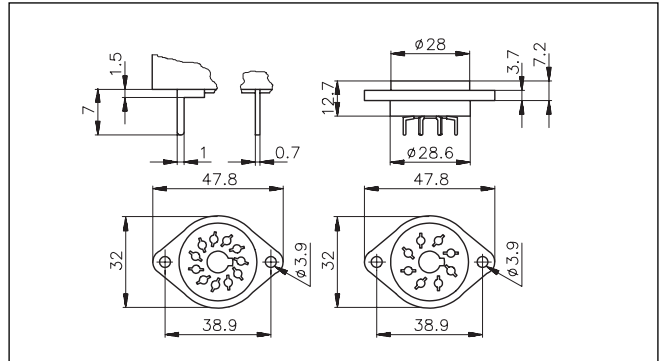


**S 111 A**  
11-pole circular socket.



**Material**  
**Colour**  
**Material of spring**  
**Approvals**

Glasfilled Noryl SE 1  
Light grey  
Tin-plated brass  
UL, CSA



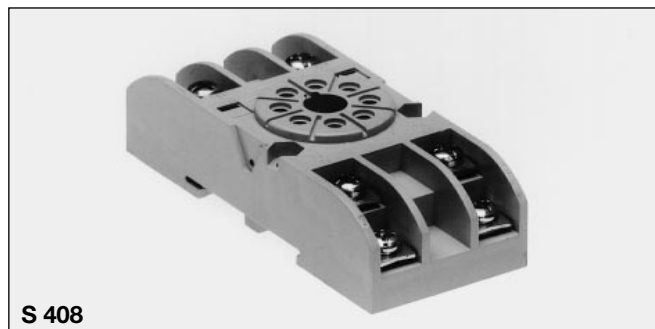
## Sockets (cont.)

### Socket types S 408, S 411

Socket with front screw connections. For mounting by two front screws or for snap-mounting on DIN-rail (DIN EN 50 022). With captive cable clamps and cross-cut terminal screws. For devices with circular plugs.

Text markers, type no. tags: e.g. Weidmüller type SG 10

**S 408** 8-pole circular socket. **S 411** 11-pole circular socket.



S 408

**Rating**  
**Installation/pollution deg.**  
**Degree of protection**

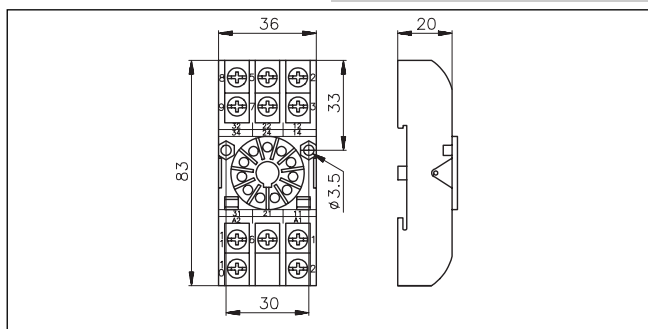
10 A/250 VAC (IEC 60664)  
Cat. III/2  
IP 10 (IEC 60529)

**Material**

Socket  
Contact spring  
DIN-rail retaining spring

Light grey, Noryl SE1  
Tin-plated brass  
Stainless steel wire  
UL, CSA

**Approvals**

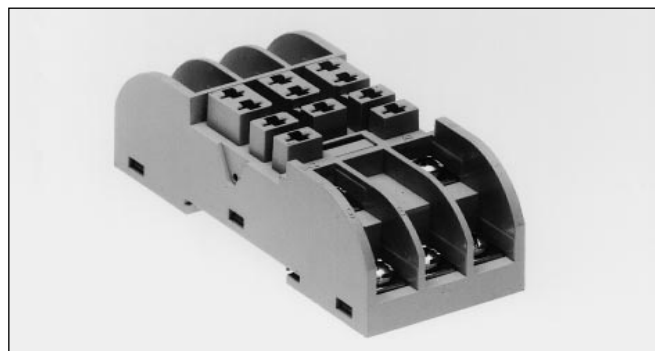


### Socket type D 411 B

Socket with front screw connections. For mounting by two front screws or for snap-mounting on DIN-rail (DIN EN 50 022). With captive cable clamps and cross-cut terminal screws. For devices with spade plugs (4.8 x 0.5 mm).

Text markers, type no. tags: e.g. Weidmüller type SG 10

**D 411 B** 11-pole spade socket.



**Rating**  
**Installation/pollution deg.**  
**Degree of protection**

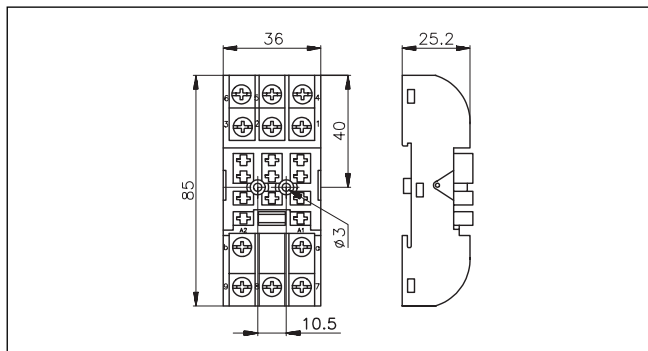
10 A/250 VAC (IEC 60664)  
Cat. III/3  
IP 10 (IEC 60529)

**Material**

Socket  
Contact spring  
DIN-rail retaining spring

Black, Noryl SE1  
Tin-plated brass  
Stainless steel wire  
UL, CSA

**Approvals**



### Socket types ZPD 8, ZPD 11,

Socket for mounting on DIN-rail (DIN EN 50 022).  
Text markers, type no. tags: e.g. Weidmüller type SG 10

**ZPD 8**  
8-pole circular socket.

**ZPD 11**  
11-pole circular socket.



ZPD 11

**Rating**  
**Installation/pollution deg.**  
**Degree of protection**

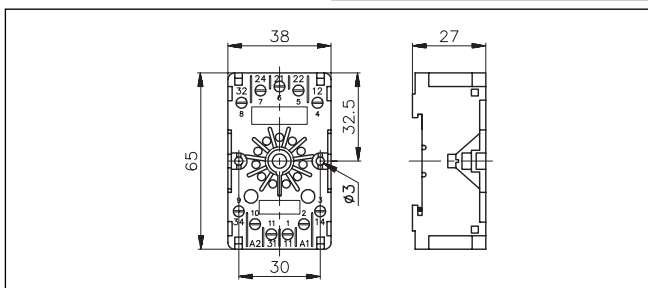
10 A/300 VAC (IEC 60664)  
Cat. III/2  
IP 20 (IEC 60529)

**Material: Socket**

Contact spring  
DIN-rail retaining spring

Black, thermoplast. resin  
(UL 9040 HB)  
Nickel-plated copper alloy  
Stainless steel wire  
UL, CSA

**Approvals**



## Sockets (cont.)

**Socket types ZVD 8, ZVD 11,**  
Socket for mounting on DIN-rail (DIN EN 50 022).

**Rating**  
**Installation/pollution deg.**  
**Degree of protection**  
**Material - Socket**

10 A/300 VAC (IEC 60664)  
Cat. III/2  
IP 10 (IEC 60529)  
Black, thermoplast. resin  
(UL 94 V-1)  
Nickel-plated copper alloy  
Polyester

**ZVD 8**  
**ZVD 11**

8-pole circular socket.  
11-pole circular socket.

Contact spring  
DIN-rail retaining spring

