

# Proximity Sensors Inductive Rectangular, Nickel-plated Brass Housing Types IC, ID, Cable and Plug



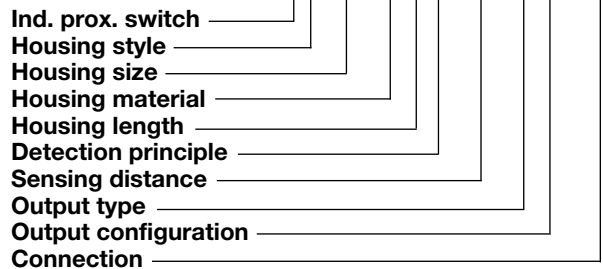
- Nickel-plated brass housings
- Sensing distance: 1.5 or 5 mm
- For flush mounting
- Output: IC 08: Transistor, NPN/PNP, make switching  
ID 25: Transistor, NPN/PNP, make switching or change over
- Power supply: 10 to 30 VDC
- Protection: Short-circuit
- 2 m PVC cable or M8 plug (IC 08)

## Product Description

Inductive proximity sensor in squared nickel-plated brass housing. This series is suitable for the control of axial and rotational movements. Output configured as PNP or

NPN, make switching (IC types), make or break switching (ID types). Connection with 2 m PVC cable or M8 plug (IC types only).

## Ordering Key **IC 08 ANC 15 NO M5-K**



## Type Selection

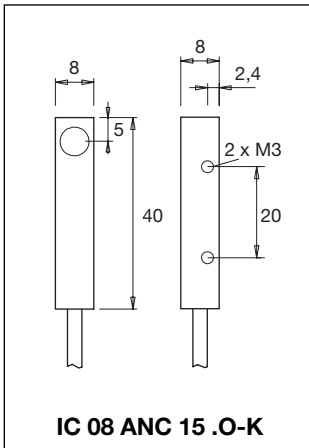
Rated op. dist. (S <sub>n</sub> )	Con- nec- tion	Dimen- sions [mm]	Ordering no. Transistor, NPN Make switching	Ordering no. Transistor, NPN Change over	Ordering no. Transistor, PNP Make switching	Ordering no. Transistor, PNP Change over
1.5 mm	Cable	8 x 8 x 40	<b>IC 08 ANC 15 NO-K</b>		<b>IC 08 ANC 15 PO-K</b>	
1.5 mm	Plug	8 x 8 x 60	<b>IC 08 ANC 15 NO M5-K</b>		<b>IC 08 ANC 15 PO M5-K</b>	
5 mm	Cable	25x10 x 50	<b>ID 25 ANC 05 NO-K</b>	<b>ID 25 ANC 05 NA-K</b>	<b>ID 25 ANC 05 PO-K</b>	<b>ID 25 ANC 05 PA-K</b>

All types for flush mounting in metal

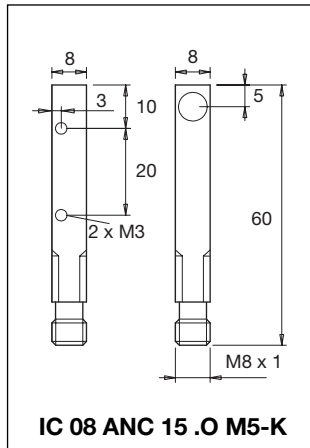
## Specifications

<b>Rated operational volt. (U<sub>B</sub>)</b>	10 to 30 VDC (ripple included)	<b>Sensing distance</b>	IC08: 1.5 mm ID25: 5 mm
<b>Ripple</b>	≤ 10%	<b>Effective operating dist. (S<sub>r</sub>)</b>	0.9 x S <sub>n</sub> ≤ S <sub>r</sub> ≤ 1.1 x S <sub>n</sub>
<b>Rated operational current (I<sub>o</sub>)</b> Continuous	≤ 200 mA @ 25°C	<b>Usable operating dist. (S<sub>u</sub>)</b>	0.85 x S <sub>r</sub> ≤ S <sub>u</sub> ≤ 1.15 x S <sub>r</sub>
<b>No-load supply current (I<sub>o</sub>)</b> IC08 ... .. O-K and ID 25 IC08 ... .. OM5-K	≤ 10 mA (ON) ≤ 9 mA (ON)	<b>Ambient temperature</b> Operating Storage	-25° to +70°C (-13° to +158°F) -30° to +75°C (-22° to +167°F)
<b>Voltage drop (U<sub>d</sub>)</b> IC08 ... .. O-K IC08 ... .. OM5-K and ID 25	< 1.7 V (@ I <sub>max</sub> ) < 1.0 V (@ I <sub>max</sub> )	<b>Degree of protection</b> IC08 ... .. O-K IC08 ... .. OM5-K and ID25	IP 65 IP 67 (Nema 1, 3, 4, 6, 13)
<b>Protection</b>	Short circuit	<b>Housing material</b>	Nickel-plated brass
<b>Frequency of op. cycles (f)</b> IC08 ... .. O-K and ID 25 IC08 ... .. OM5-K	1 kHz 2 kHz	<b>CE-marking</b>	Yes
<b>Indication for output ON</b>	LED, yellow (ID25 only)	<b>Connection</b>	Cable, 2 m, PVC, AWG 26 or Plug M8, CONH5A-xxx serie (plug versions only IC 08)

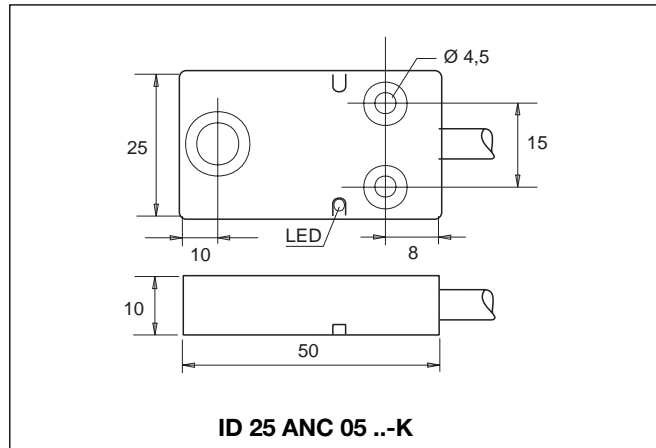
## Dimensions



IC 08 ANC 15 .O-K

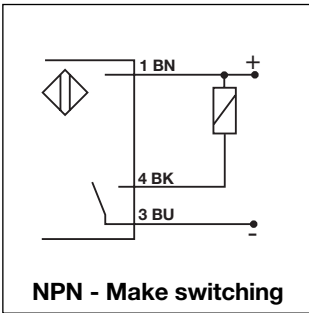


IC 08 ANC 15 .O M5-K

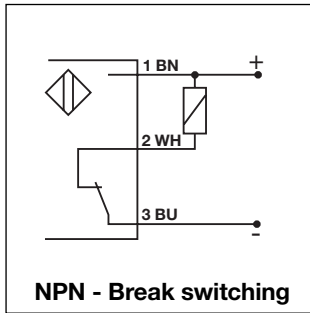


ID 25 ANC 05 ...-K

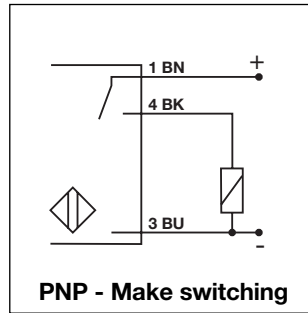
## Wiring Diagrams



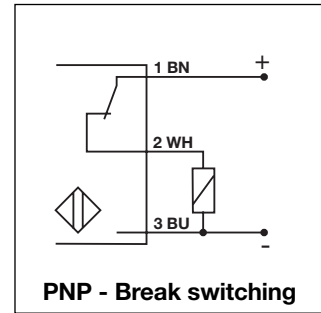
NPN - Make switching



NPN - Break switching



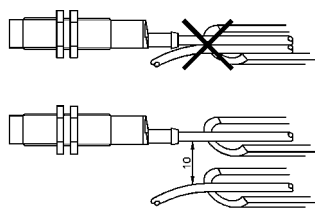
PNP - Make switching



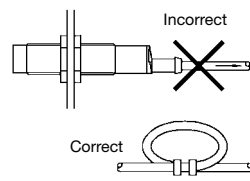
PNP - Break switching

## Installation Hints

To avoid interference from inductive voltage/current peaks, separate the prox. switch power cables from any other power cables, e.g. motor, contactor or solenoid cables

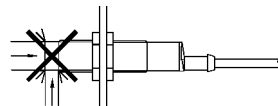


Relief of cable strain



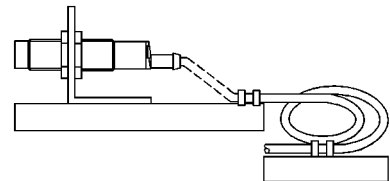
The cable should not be pulled

Protection of the sensing face



A proximity switch should not serve as mechanical stop

Switch mounted on mobile carrier



Any repetitive flexing of the cable should be avoided