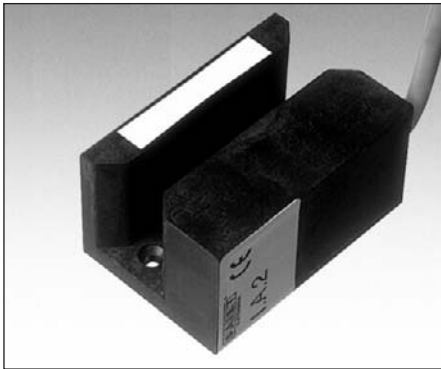


Magnetic Slot Sensors I Series



- Slot case
- Plastic body
- NO, NC or Change-over output function
- Multiple contact versions

Product Description

The I types models are available on request with multiple contacts. Single contact version can have NO, NC and change-over output functions. In multiple contacts versions the maximum number of contacts is three.

The minimum air gap from ferromagnetic parts is 20 mm; the minimum distance between the fixing holes of two contiguous sensors is 15 cm. The optimum dimensions of soft iron actuator are 60 x 80 x 2 mm.

Ordering Key

I.C.8

Type _____
 Output Function _____
 Reed Contact Type _____

Type Selection

Output connection	Reference
NO	I.A.2 I.A.8
NC	I.C.2 I.C.8
Change-over	I.S.2

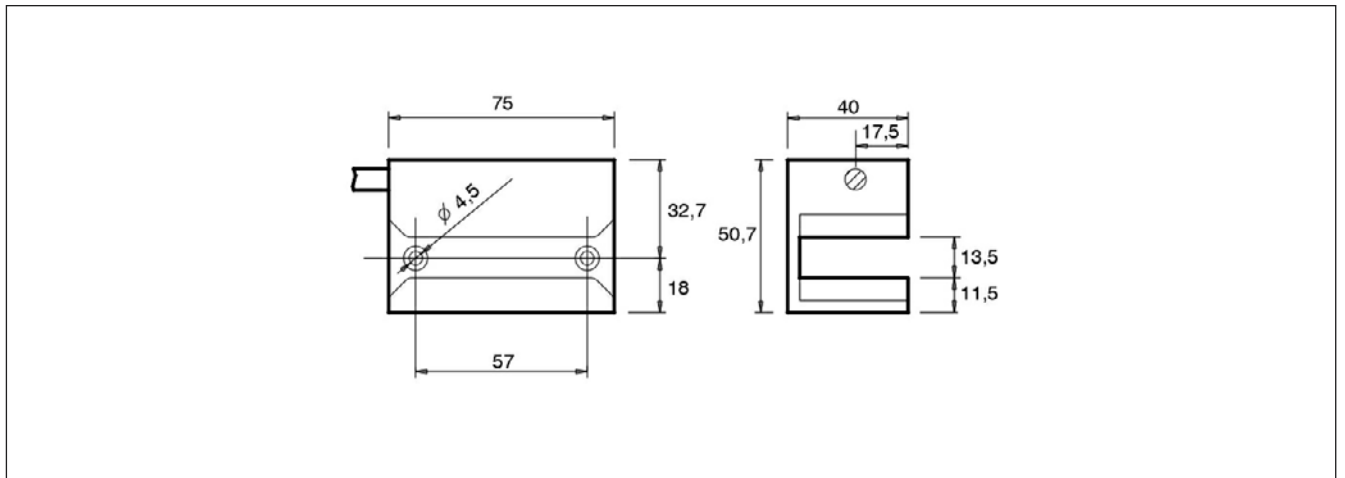
General specification

Case	Plastic
Protection degree	IP67
Operating temperature	-25 to +75 °C
Output connection	PVC Cable

Electrical specifications

Contacts	2	8	S.2
Max switching voltage	250 Vac	1500 Vac	220 Vac
Max switching current	3 A	3 A	1 A
Max switching power	100 VA	120 VA	60 VA

Dimensions



Wiring Diagrams

