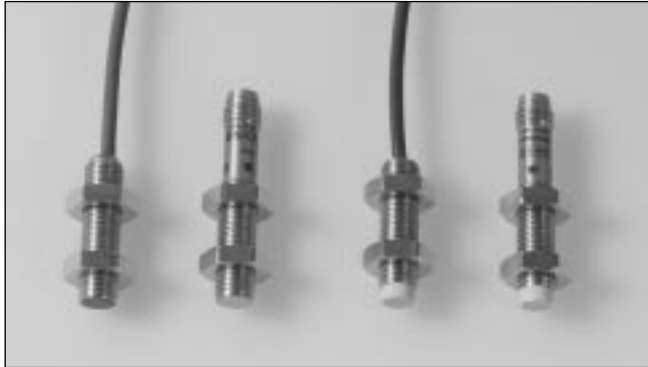


Proximity Sensors Inductive Extended Range, Stainless Steel Housing Type IA, M8

CARLO GAVAZZI



- Sensing distance: 2 to 4 mm
- Flush and non-flush types
- Short body
- Rated operational voltage: 10 - 30 VDC
- Output: DC 200 mA, NPN or PNP, make or break switching
- LED-indication
- Protection: reverse polarity, short-circuit, transients
- Cable and plug versions

5 years warranty

Product Description

A family of extended range inductive proximity switches in industrial stainless steel housings. They are able to handle applications where high sensing range is requested. Outputs are open collector NPN or PNP transistors. Available with cable and M8 plug.

Ordering Key

IA08BSF20NOM5

Type	IA
Housing style	08
Housing size	BSF
Housing material	20
Housing length	N
Detection principle	O
Sensing distance	M
Output type	5
Output configuration	
Connection type	

Type Selection

Rated operating dist. (S _n)	Conn. type	Ordering no. Transistor NPN Make switching	Ordering no. Transistor NPN Break switching	Ordering no. Transistor PNP Make switching	Ordering no. Transistor PNP Break switching
2 mm ¹⁾	Cable	IA 08 BSF 20 NO	IA 08 BSF 20 NC	IA 08 BSF 20 PO	IA 08 BSF 20 PC
2 mm ¹⁾	Plug	IA 08 BSF 20 NO M5	IA 08 BSF 20 NC M5	IA 08 BSF 20 PO M5	IA 08 BSF 20 PC M5
4 mm	Cable	IA 08 BSN 40 NO	IA 08 BSN 40 NC	IA 08 BSN 40 PO	IA 08 BSN 40 PC
4 mm	Plug	IA 08 BSN 40 NO M5	IA 08 BSN 40 NC M5	IA 08 BSN 40 PO M5	IA 08 BSN 40 PC M5

¹⁾ Flush-mountable

Specifications

Rated operational voltage (U_B)	10 to 30 VDC (ripple incl.)	Usable operating distance (S_u)	0.85 x S _r ≤ S _u ≤ 1.15 x S _r
Ripple	≤ 10%	Repeat accuracy (R)	≤ 5%
Output current (I_a)	≤ 200 mA Derating: From +50°C to +70°C, I _c @ 70°C ≤ 150 mA	Differential travel (H) (Hysteresis)	1 to 20% of sensing dist.
No load supply current (I_o)	≤ 10 mA	Ambient temperature	Operating: -25° to +70°C (-13° to +158°F) Storage: -30° to +80°C (-22° to +176°F)
Voltage drop (U_d)	Max. 2.5 VDC @ 200 mA	Housing material	Body: Stainless steel (AISI 304/303) Front: Grey thermoplastic polyester
Protection	Reverse polarity, short-circuit, transients	Backpart: NPN Plug: NPN Nuts: NPN	
Transient voltage	1 kV/0.5 J	Connection	Cable: 2 m, 3 x 0.14 mm ² , Ø 3,2 grey PVC, oil proof Plug: M8 x 1 Cables for plug (-1): CONH1A serie
Power ON delay (t_i)	< 100 ms		
Operating frequency (f)	IA08 BSF ≥ 2000 Hz IA08 BSN ≥ 1000 Hz		
Indication for output ON	LED, yellow		
Assured operating dist. (S_a)	0 ≤ S _a ≤ 0.81 x S _n		
Effective operating dist. (S_r)	0.9 x S _n ≤ S _r ≤ 1.1 x S _n		



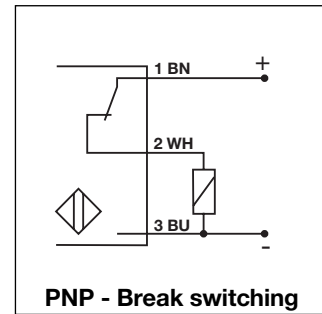
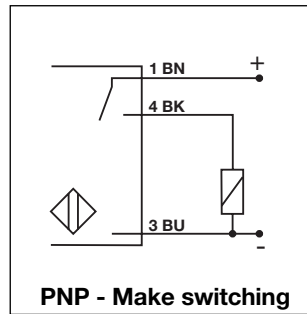
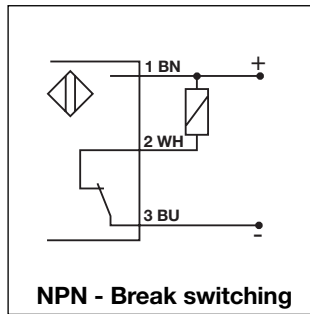
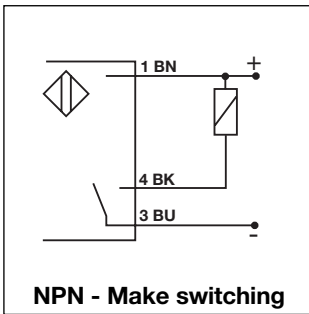
Specifications (cont.)

Degree of protection	IP 67
Weight (cable/nuts included)	IA 08 .. approx. 30 g IA 08 .. M5 approx. 5 g
Tightening torque	5.0 Nm (x) 8.0 Nm (y)
Approvals	UL, CSA
CE-marking	Yes

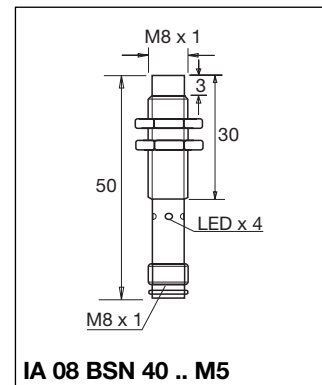
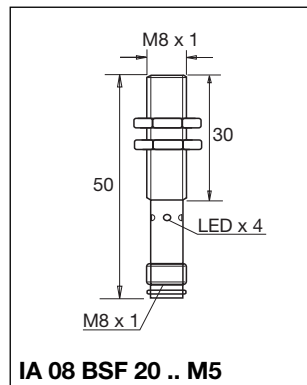
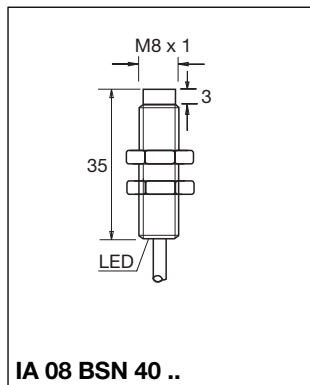
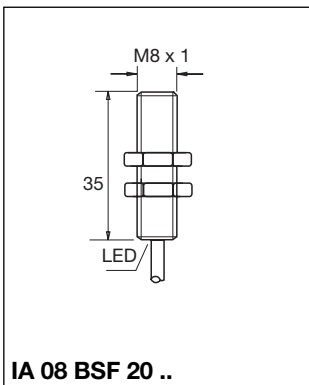
Delivery Contents

- Inductive proximity switch IA..
- 2 nuts NPB
- Packaging: plastic bag

Wiring Diagrams



Dimensions



Installation Hints

To avoid interference from inductive voltage/current peaks, separate the prox. switch power cables from any other power cables, e.g. motor, contactor or solenoid cables

Relief of cable strain

Incorrect

Correct

The cable should not be pulled

Protection of the sensing face

A proximity switch should not serve as mechanical stop

Switch mounted on mobile carrier

Any repetitive flexing of the cable should be avoided