



## 24-Bit Analog-to-Digital Converter with 2-Channel Differential Input Multiplexer

### FEATURES

- 240SPS Data Rate with 4MHz Clock
- 20-Bit Effective Resolution
- Input Multiplexer with Two Differential Channels
- Pin-Selectable, High-Impedance Input Buffer
- $\pm 5V$  Differential Input Range
- 0.0003% INL (typ), 0.0015% INL (max)
- Self-Calibrating
- Simple 2-Wire Serial Interface
- On-Chip Temperature Sensor
- Single Conversions with Standby Mode
- Low Current Consumption: 300 $\mu A$
- Analog Supply: 2.7V to 5.5V

### APPLICATIONS

- Hand-Held Instrumentation
- Portable Medical Equipment
- Industrial Process Control
- Weigh Scales

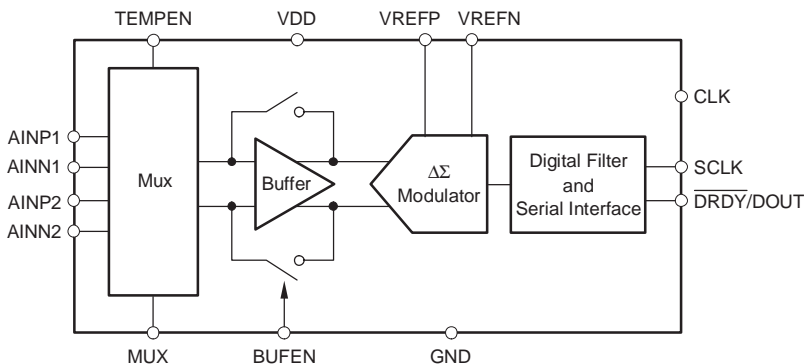
### DESCRIPTION

The ADS1222 is a 2-channel, 24-bit, delta-sigma analog-to-digital (A/D) converter. It offers excellent performance and low power in a TSSOP-14 package. The ADS1222 is well-suited for demanding, high-resolution measurements, especially in portable systems and other space-saving and power-constrained applications.

A delta-sigma modulator and digital filter form the basis of the A/D converter. The analog modulator has a  $\pm 5V$  differential input range. An input multiplexer (mux) is used to select between two separate differential input channels. A buffer can be selected to increase the input impedance of the measurement.

A simple, 2-wire serial interface provides all the necessary control. Data retrieval, self-calibration, and Standby mode are handled with a few simple waveforms. When only single conversions are needed, the ADS1222 can be quickly shut down (Standby mode) while idle between measurements to dramatically reduce the overall power consumption. Multiple ADS1222s can be connected together to create a synchronously sampling multichannel measurement system. The ADS1222 is designed to easily connect to microcontrollers, such as the MSP430.

The ADS1222 supports 2.7V to 5.5V supplies. Power is typically less than 1mW in 3V operation and less than 1 $\mu W$  during Standby mode.



Please be aware that an important notice concerning availability, standard warranty, and use in critical applications of Texas Instruments semiconductor products and disclaimers thereto appears at the end of this data sheet.

All trademarks are the property of their respective owners.

**ORDERING INFORMATION**

PRODUCT	PACKAGE-LEAD	PACKAGE DESIGNATOR(1)	PACKAGE MARKING	ORDERING NUMBER	TRANSPORT MEDIA, QUANTITY
ADS1222	TSSOP-14	PW	ADS1222	ADS1222IPWT	Tape and Reel, 250
				ADS1222IPWR	Tape and Reel, 2000

(1) For the most current specification and package information, refer to our web site at [www.ti.com](http://www.ti.com).

**ABSOLUTE MAXIMUM RATINGS**

over operating free-air temperature range unless otherwise noted(1)

	ADS1222	UNIT
VDD to GND	-0.3 to +6	V
Input current	100, momentary	mA
	10, continuous	mA
Analog input voltage to GND	-0.3 to VDD + 0.3	V
Digital input voltage to GND	-0.3 to VDD + 0.3	V
Maximum Junction Temperature	+150	°C
Operating Temperature Range	-55 to +125	°C
Storage Temperature Range	-60 to +150	°C
Lead Temperature (soldering, 10s)	+300	°C

(1) Stresses above these ratings may cause permanent damage. Exposure to absolute maximum conditions for extended periods may degrade device reliability. These are stress ratings only, and functional operation of the device at these or any other conditions beyond those specified is not implied.



This integrated circuit can be damaged by ESD. Texas Instruments recommends that all integrated circuits be handled with appropriate precautions. Failure to observe proper handling and installation procedures can cause damage.

ESD damage can range from subtle performance degradation to complete device failure. Precision integrated circuits may be more susceptible to damage because very small parametric changes could cause the device not to meet its published specifications.

## ELECTRICAL CHARACTERISTICS

All specifications at  $T_A = -40^\circ\text{C}$  to  $+85^\circ\text{C}$ ,  $V_{DD} = +5\text{V}$ ,  $f_{CLK} = 2\text{MHz}$ , and  $V_{REF} = +2.5\text{V}$ , unless otherwise noted.

PARAMETER	TEST CONDITIONS	MIN	TYP	MAX	UNIT
<b>Analog Input</b>					
Full-scale input voltage	AINP – AINN	$\pm 2V_{REF}$			V
Absolute input voltage	Buffer off; AINP, AINN with respect to GND	GND – 0.1	VDD + 0.1		V
	Buffer on; AINP, AINN with respect to GND	GND + 0.05	VDD – 1.5		V
Differential input impedance	Buffer off; $f_{CLK} = 2\text{MHz}$	2.7			$\text{M}\Omega$
	Buffer on; $f_{CLK} = 2\text{MHz}$	1.2			$\text{G}\Omega$
Common-mode input impedance	Buffer off; $f_{CLK} = 2\text{MHz}$	5.4			$\text{M}\Omega$
<b>System Performance</b>					
Resolution	No missing codes	24			Bits
Data rate		120 ( $f_{CLK}/2\text{MHz}$ )			SPS <sup>(1)</sup>
Integral nonlinearity (INL)	Buffer off; Differential input signal, end point fit	0.0003		0.0015	% of FSR <sup>(2)</sup>
	Buffer on; Differential input signal, end point fit	0.0006			% of FSR
Offset error	Buffer off	50		150	$\mu\text{V}$
	Buffer on	50			$\mu\text{V}$
Offset error drift	Buffer off	0.2			$\mu\text{V}/^\circ\text{C}$
	Buffer on	0.2			$\mu\text{V}/^\circ\text{C}$
Offset error match	Between channels	20		100	$\mu\text{V}$
Gain error	Buffer off	0.004		0.025	%
	Buffer on	0.008			%
Gain error drift	Buffer off	0.00003			% of FSR/ $^\circ\text{C}$
	Buffer on	0.00006			% of FSR/ $^\circ\text{C}$
Gain error match	Between channels	0.0005			%
Common-mode rejection	Buffer off; at DC	95			dB
	Buffer on; at DC	90	100		dB
Power-supply rejection	Buffer off; at DC, VDD = 2.7V to 5.5V	90			dB
	Buffer on; at DC, VDD = 2.7V to 5.5V	90			dB
Noise		0.8			ppm of FSR, rms
<b>Temperature Sensor</b>					
Temperature sensor voltage	$T_A = 25^\circ\text{C}$	106			mV
Temperature sensor coefficient		360			$\mu\text{V}/^\circ\text{C}$
<b>Voltage Reference Input</b>					
Reference input voltage	$V_{REF} = V_{REFP} - V_{REFN}$	0.5	2.5	VDD <sup>(3)</sup>	V
Negative reference input	Buffer off	GND – 0.1	VREFP – 0.5		V
Positive reference input	Buffer off	VREFN + 0.5	VDD + 0.1		V
Negative reference input	Buffer on	GND + 0.05	VREFP – 0.5		V
Positive reference input	Buffer on	VREFN + 0.5	VDD – 1.5		V
Voltage reference impedance	$f_{CLK} = 2\text{MHz}$	500			$\text{k}\Omega$

(1) SPS = samples per second.

(2) FSR = full-scale range =  $4V_{REF}$ .

(3) It will not be possible to reach the digital output full-scale code when  $V_{REF} > V_{DD}/2$ .

**ELECTRICAL CHARACTERISTICS (continued)**

All specifications at  $T_A = -40^{\circ}\text{C}$  to  $+85^{\circ}\text{C}$ ,  $V_{DD} = +5\text{V}$ ,  $f_{CLK} = 2\text{MHz}$ , and  $V_{REF} = +2.5\text{V}$ , unless otherwise noted.

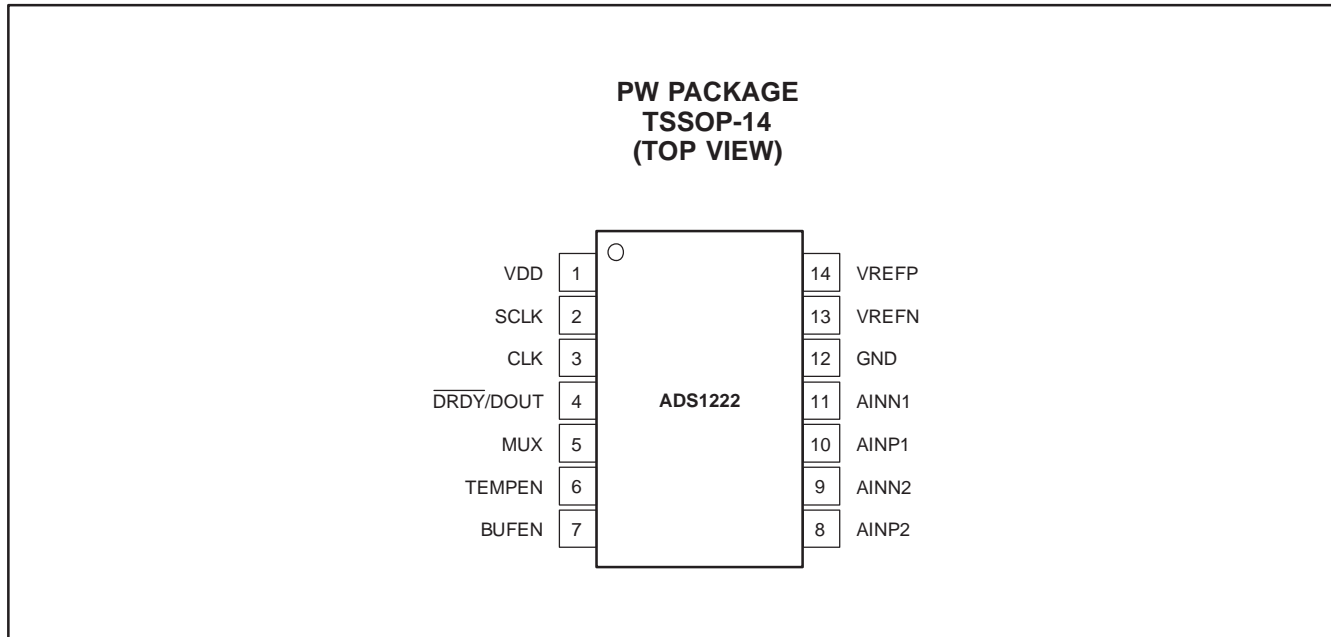
PARAMETER		TEST CONDITIONS	MIN	TYP	MAX	UNIT
<b>Digital Input/Output</b>						
Logic levels	$V_{IH}$		0.8 VDD		VDD + 0.1	V
	$V_{IL}$		GND – 0.1		0.2 VDD	V
	$V_{OH}$	$I_{OH} = 1\text{mA}$	0.8 VDD			V
	$V_{OL}$	$I_{OL} = 1\text{mA}$			0.2 VDD	V
Input leakage					±10	μA
CLK frequency ( $f_{CLK}$ )					8	MHz
CLK duty cycle			30		70	%
<b>Power Supply</b>						
VDD			2.7		5.5	V
VDD current	Standby mode			< 1		μA
	VDD = 5V, normal mode, buffer off			300		μA
	VDD = 5V, normal mode, buffer on			425		μA
	VDD = 3V, normal mode, buffer off			275		μA
	VDD = 3V, normal mode, buffer on			395		μA
Total power dissipation	VDD = 5V, buffer off			1.5	2.25	mW
	VDD = 3V, buffer off			0.8		mW
<b>Temperature Range</b>						
Specified			–40		+85	°C
Operating			–55		+125	°C
Storage			–60		+150	°C

(1) SPS = samples per second.

(2) FSR = full-scale range =  $4V_{REF}$ .

(3) It will not be possible to reach the digital output full-scale code when  $V_{REF} > V_{DD}/2$ .

**PIN ASSIGNMENTS**

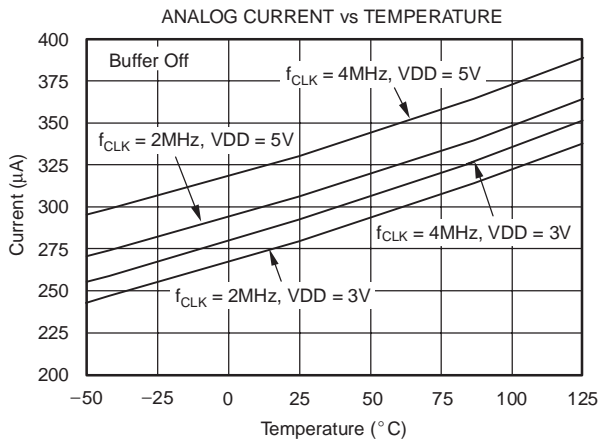


**Terminal Functions**

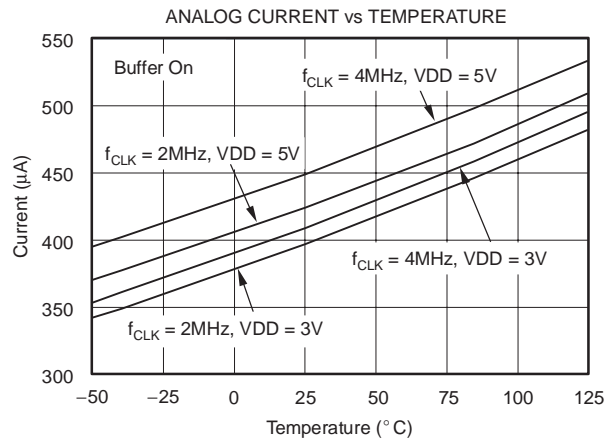
TERMINAL		I/O	DESCRIPTION
NAME	NO.		
VDD	1	Analog/Digital	Analog and digital power supply
SCLK	2	Digital input	Serial clock input
CLK	3	Digital input	System clock input
$\overline{\text{DRDY}}/\text{DOUT}$	4	Digital Output	Dual-purpose output: Data ready: indicates valid data by going low. Data output: outputs data, MSB first, on the rising edge of SCLK.
MUX	5	Digital input	Selects analog input of mux
TEMPEN	6	Digital input	Selects temperature sensor input from mux
BUFEN	7	Digital input	Enables input buffer
AINP2	8	Analog input	Analog channel 2 positive input
AINN2	9	Analog input	Analog channel 2 negative input
AINP1	10	Analog input	Analog channel 1 positive input
AINN1	11	Analog input	Analog channel 1 negative input
GND	12	Analog/Digital	Analog and digital ground
VREFN	13	Analog input	Negative reference input
VREFP	14	Analog input	Positive reference input

**TYPICAL CHARACTERISTICS**

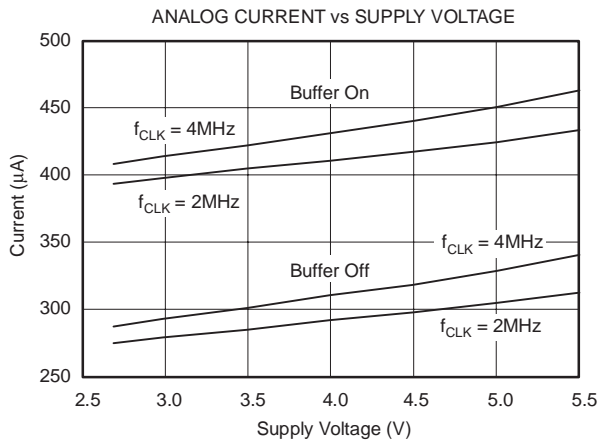
At  $T_A = -40^\circ\text{C}$  to  $+85^\circ\text{C}$ ,  $V_{DD} = +5\text{V}$ ,  $f_{CLK} = 2\text{MHz}$ , and  $V_{REF} = +2.5\text{V}$ , unless otherwise noted.



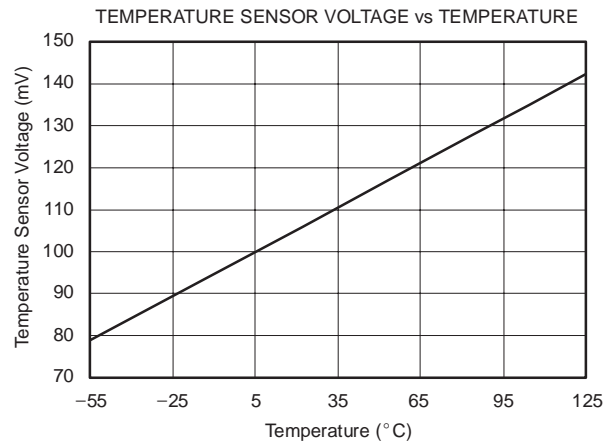
**Figure 1**



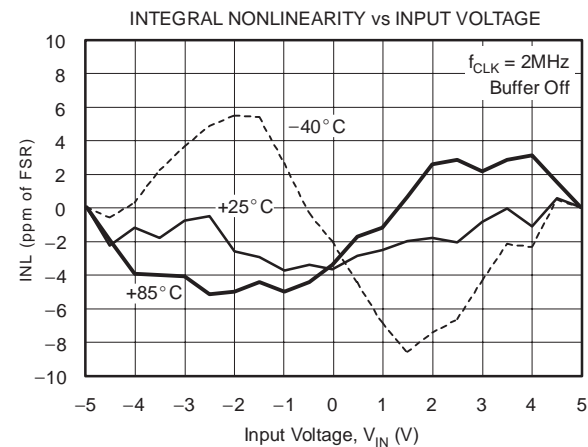
**Figure 2**



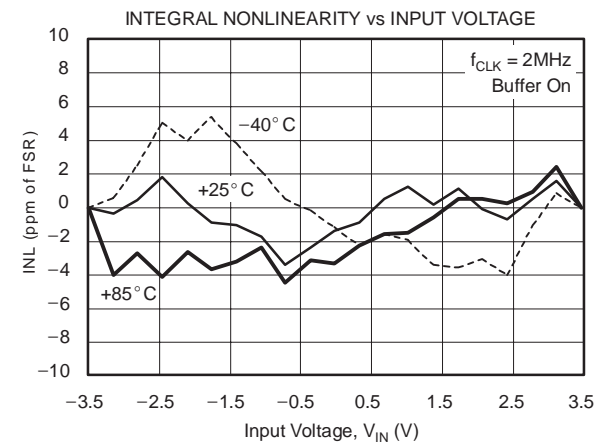
**Figure 3**



**Figure 4**



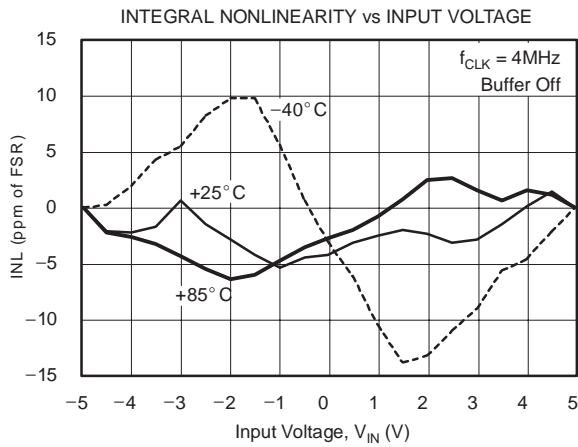
**Figure 5**



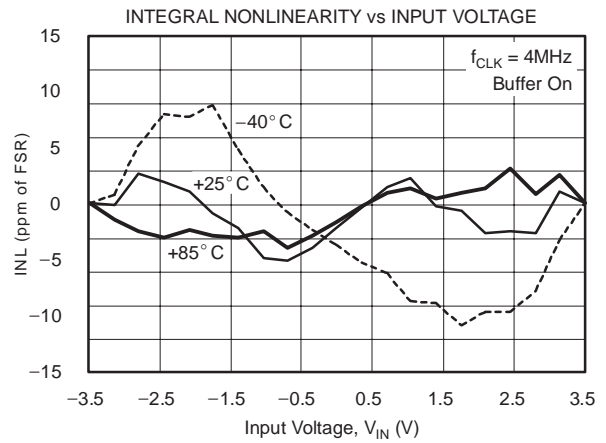
**Figure 6**

**TYPICAL CHARACTERISTICS (continued)**

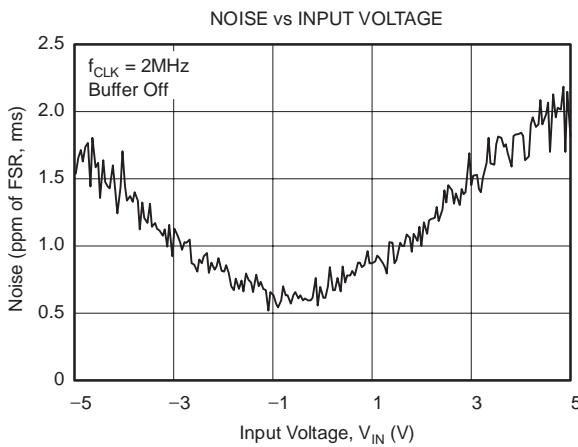
At  $T_A = -40^\circ\text{C}$  to  $+85^\circ\text{C}$ ,  $V_{DD} = +5\text{V}$ ,  $f_{CLK} = 2\text{MHz}$ , and  $V_{REF} = +2.5\text{V}$ , unless otherwise noted.



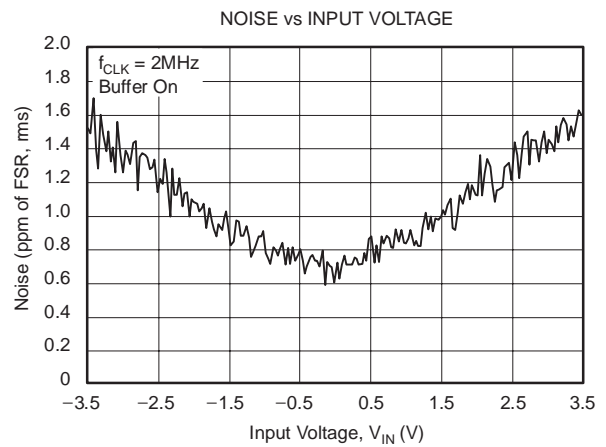
**Figure 7**



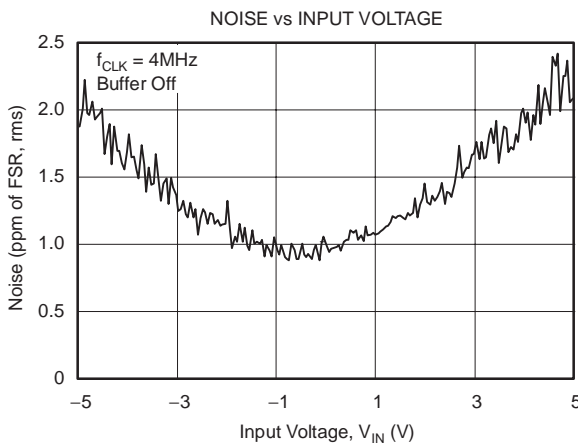
**Figure 8**



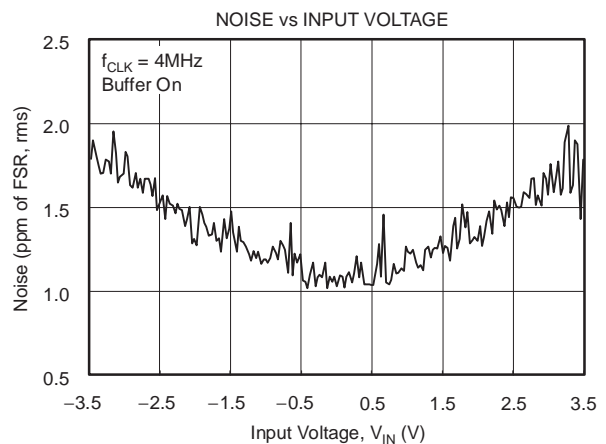
**Figure 9**



**Figure 10**



**Figure 11**



**Figure 12**

**OVERVIEW**

The ADS1222 is an A/D converter comprised of a delta-sigma modulator followed by a digital filter. A mux allows for one of two input channels to be selected. A buffer can also be selected to increase the input impedance. The modulator measures the differential input signal  $V_{IN} = (AINP - AINN)$  against the differential reference  $V_{REF} = (VREFP - VREFN)$ . Figure 13 shows a conceptual diagram of the device. The differential reference is scaled internally so that the full-scale input range is  $\pm 2V_{REF}$ . The digital filter receives the modulator signal and provides a low-noise digital output. A 2-wire serial interface indicates conversion completion and provides the user with the output data.

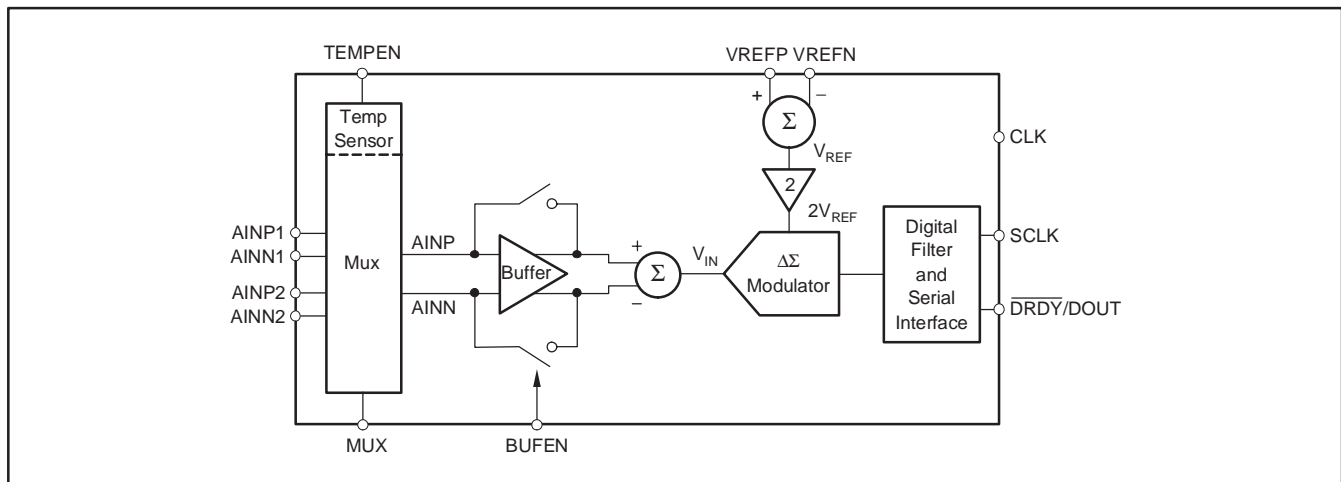
generalized as AINN. The signal is selected though the input mux, which is controlled by MUX, as shown in Table 1. The ADS1222 accepts differential input signals, but can also measure unipolar signals. When measuring unipolar (or single-ended signals) with respect to ground, connect the negative input (AINNx) to ground and connect the input signal to the positive input (AINPx). Note that when the ADS1222 is configured in this way, only half of the converter full-scale range is used since only positive digital output codes are produced. An input buffer can be selected to increase the input impedance of the A/D converter with the BUFEN pin.

**ANALOG INPUTS (AINPx, AINNx)**

The input signal to be measured is applied to the input pins AINPx and AINNx. The positive internal input is generalized as AINP, and the negative internal input is

**Table 1. Input Channel Selection with MUX**

DIGITAL PIN	SELECTED ANALOG INPUTS	
MUX	POSITIVE INPUT	NEGATIVE INPUT
0	AINP1	AINN1
1	AINP2	AINN2



**Figure 13. Conceptual Diagram of the ADS1222**



### Analog Input Measurement without the Input Buffer

With the buffer disabled by setting the BUFEN pin low, the ADS1222 measures the input signal using internal capacitors that are continuously charged and discharged. Figure 14 shows a simplified schematic of the ADS1222 input circuitry, with Figure 15 showing the on/off timings of the switches. The  $S_1$  switches close during the input sampling phase. With  $S_1$  closed,  $C_{A1}$  charges to AINP,  $C_{A2}$  charges to AINN, and  $C_B$  charges to (AINP – AINN). For the discharge phase,  $S_1$  opens first and then  $S_2$  closes.  $C_{A1}$  and  $C_{A2}$  discharge to approximately  $V_{DD}/2$  and  $C_B$  discharges to 0V. This two-phase sample/discharge cycle repeats with a frequency of  $f_{CLK}/32$  (62.5kHz for  $f_{CLK} = 2\text{MHz}$ ).

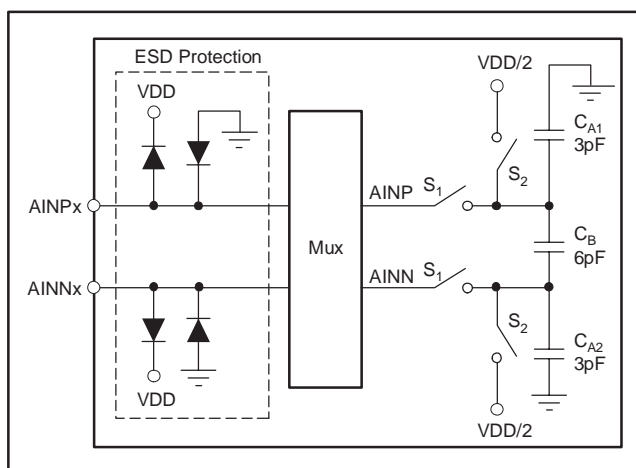


Figure 14. Simplified Input Structure with the Buffer Turned Off

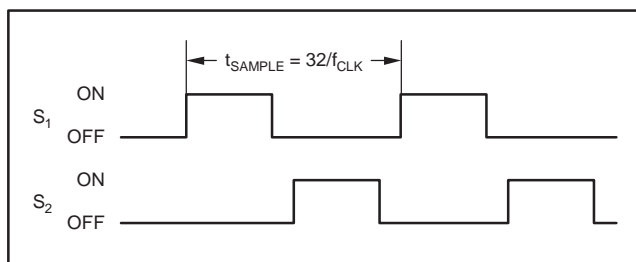


Figure 15.  $S_1$  and  $S_2$  Switch Timing for Figure 14

The constant charging of the input capacitors presents a load on the inputs that can be represented by effective impedances. Figure 16 shows the input circuitry with the capacitors and switches of Figure 14 replaced by their effective impedances. These impedances scale inversely with  $f_{CLK}$  frequency. For example, if  $f_{CLK}$  frequency is reduced by a factor of 2, the impedances will double.

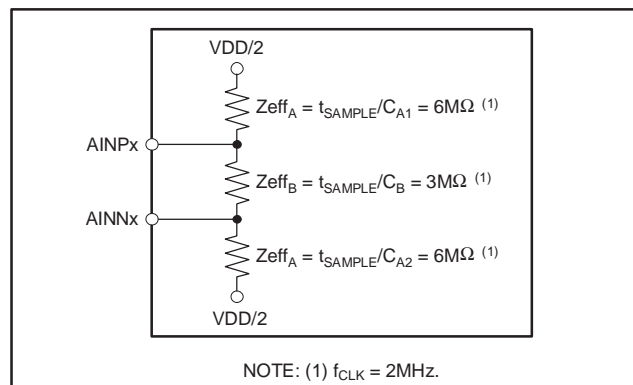


Figure 16. Effective Analog Input Impedances with the Buffer Off

ESD diodes protect the inputs. To keep these diodes from turning on, make sure the voltages on the input pins do not go below GND by more than 100mV, and likewise do not exceed VDD by 100mV:

$$\text{GND} - 100\text{mV} < (\text{AINP}, \text{AINN}) < \text{VDD} + 100\text{mV}$$

### Analog Input Measurement with the Input Buffer

When the buffer is enabled by setting the BUFEN pin high, a low-drift, chopper-stabilized input buffer is used to achieve very high input impedance. The buffer charges the input sampling capacitors, thus removing the load from the measurement. Because the input buffer is chopper-stabilized, the charging of parasitic capacitances causes the charge to be carried away, as if by resistance. The input impedance can be modeled by a single resistor, as shown in Figure 17. The impedance scales inversely with  $f_{CLK}$  frequency, as in the nonbuffered case.

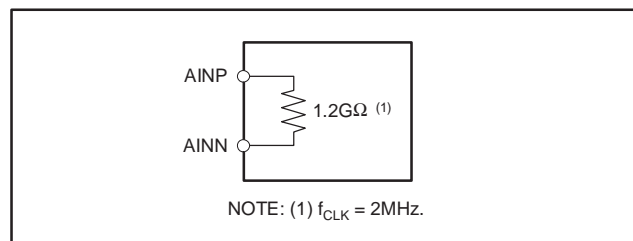
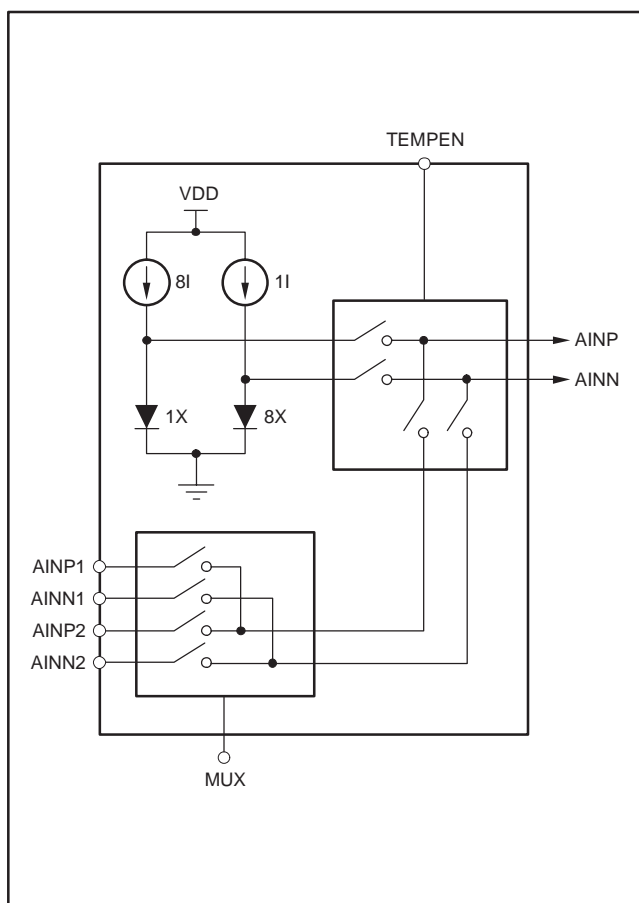


Figure 17. Effective Analog Input Impedances with the Buffer On

Note that the analog inputs (listed in the Electrical Characteristics table as *Absolute Input Range*) must remain between  $\text{GND} + 0.05\text{V}$  to  $\text{VDD} - 1.5\text{V}$ . Exceeding this range degrades linearity and results in performance outside the specified limits.

### TEMPERATURE SENSOR

On-chip diodes provide temperature-sensing capability. By setting the TEMPEN pin high, the selected analog inputs are disconnected and the inputs to the A/D converter are connected to the anodes of two diodes scaled to 1x and 64x in current and size inside the mux, as shown in Figure 18. By measuring the difference in voltage of these diodes, temperature changes can be inferred from a baseline temperature. Typically, the difference in diode voltages is 106mV at 25°C, with a temperature coefficient of 360μV/°C. A similar structure is used in the MSC1210 for temperature measurement. For more information, see TI application report SBAA100, *Using the MSC121x as a High-Precision Intelligent Temperature Sensor*, available for download at www.ti.com.



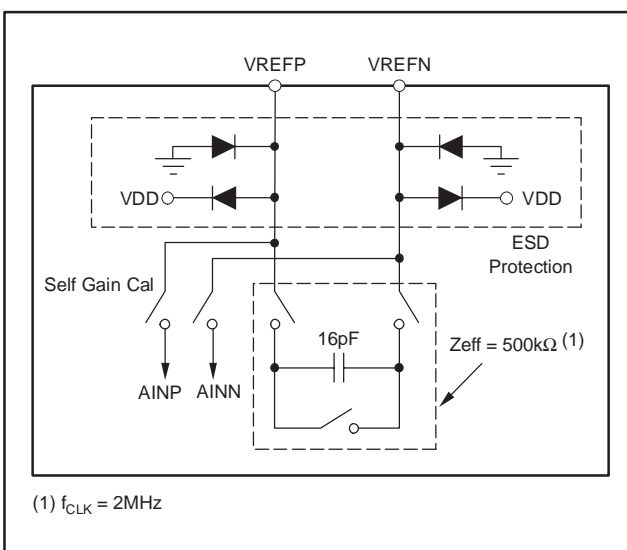
**Figure 18. Measurement of the Temperature Sensor in the Input Multiplexer**

### VOLTAGE REFERENCE INPUTS (VREFP, VREFN)

The voltage reference used by the modulator is generated from the voltage difference between VREFP and VREFN:  $V_{REF} = V_{REFP} - V_{REFN}$ . The reference inputs use a structure similar to that of the analog inputs. A simplified diagram of the circuitry on the reference inputs is shown in Figure 19. The switches and capacitors can be modeled with an effective impedance of:

$$\left(\frac{t_{sample}}{2}\right) / 16pF = 500k\Omega$$

where  $f_{CLK} = 2MHz$ .



(1)  $f_{CLK} = 2MHz$

**Figure 19. Simplified Reference input Circuitry**

ESD diodes protect the reference inputs. To prevent these diodes from turning on, make sure the voltages on the reference pins do not go below GND by more than 100mV, and likewise, do not exceed VDD by 100mV:

$$GND - 100mV < (V_{REFP}, V_{REFN}) < VDD + 100mV$$

During self gain calibration, all the switches in the input multiplexer are opened, VREFN is internally connected to AINN, and VREFP is connected to AINP. The input buffer may be disabled or enabled during calibration. When the buffer is disabled, the reference pins will be driving the circuitry shown in Figure 9 during self gain calibration, resulting in increased loading. To prevent this additional loading from introducing gain errors, make sure the circuitry driving the reference pins has adequate drive capability. When the buffer is enabled, the loading on the reference pins will be much less, but

the buffer will limit the allowable voltage range on VREFP and VREFN during self or self gain calibration as the reference pins must remain within the specified input range of the buffer in order to establish proper gain calibration.

For best performance,  $V_{REF}$  should be  $V_{DD}/2$ , but it can be raised as high as  $V_{DD}$ . When  $V_{REF}$  exceeds  $V_{DD}/2$ , it is not possible to reach the full-scale digital output value corresponding to  $\pm 2V_{REF}$ , since this requires the analog inputs to exceed the power supplies. For example, if  $V_{REF} = V_{DD} = 5V$ , the positive full-scale signal is 10V. The maximum positive input signal that can be supplied before the ESD diodes turn on is when  $A_{INP} = 5.1V$  and  $A_{INN} = -0.1V$ , resulting in  $V_{IN} = 5.2V$ . Therefore, it is not possible to reach the positive (or negative) full-scale readings in this configuration. The digital output codes are limited to approximately one half of the entire range. For best performance, bypass the voltage reference inputs with a  $0.1\mu F$  capacitor between VREFP and VREFN. Place the capacitor as close as possible to the pins.

### CLOCK INPUT (CLK)

This digital input supplies the system clock to the ADS1222. The CLK frequency can be increased to speed up the data rate. CLK must be left running during normal operation. It may be turned off during Standby mode to save power, but this is not required. The CLK input may be driven with 5V logic, regardless of the VDD voltage.

Minimize the overshoot and undershoot on CLK for the best analog performance. A small resistor in series with CLK ( $10\Omega$  to  $100\Omega$ ) can often help. CLK can be generated from a number of sources including standalone crystal oscillators and microcontrollers.

### DATA READY/DATA OUTPUT ( $\overline{DRDY}/DOUT$ )

This digital output pin serves two purposes. First, it indicates when new data is ready by going LOW. Afterwards, on the first rising edge of SCLK, the  $\overline{DRDY}/DOUT$  pin changes function and begins to output the conversion data, most significant bit (MSB) first. Data is shifted out on each subsequent SCLK rising edge. After all 24 bits have been retrieved, the pin

can be forced high with an additional SCLK. It will then stay high until new data is ready. This is useful when polling on the status of  $\overline{DRDY}/DOUT$  to determine when to begin data retrieval.

### SERIAL CLOCK INPUT (SCLK)

This digital input shifts serial data out with each rising edge. As with CLK, this input may be driven with 5V logic regardless of the VDD voltage. There is hysteresis built into this input, but care should still be taken to ensure a clean signal. Glitches or slow-rising signals can cause unwanted additional shifting. For this reason, it is best to make sure the rise-and-fall times of SCLK are less than 50ns.

### FREQUENCY RESPONSE

The ADS1222 frequency response for  $f_{CLK} = 2MHz$  is shown in Figure 20. The frequency response repeats at multiples of the modulator sampling frequency of 62.5kHz. The overall response is that of a low-pass filter with a  $-3db$  cutoff frequency of 31.5Hz. As shown, the ADS1222 does a good job attenuating out to 60kHz. For the best resolution, limit the input bandwidth to less than this value to keep higher frequency noise from affecting performance. Often, a simple RC filter on the ADS1222 analog inputs is all that is needed.

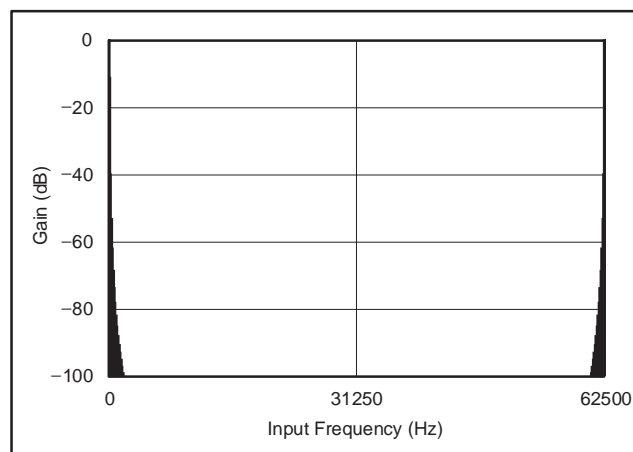


Figure 20. Frequency Response

To help see the response at lower frequencies, Figure 21 illustrates the response out to 1kHz. Notice that signals at multiples of 120Hz are rejected. The ADS1222 data rate and frequency response scale directly with CLK frequency. For example, if  $f_{CLK}$  increases from 2MHz to 4MHz, the data rate increases from 120SPS to 240SPS, while the notches increase from 120Hz to 240Hz.

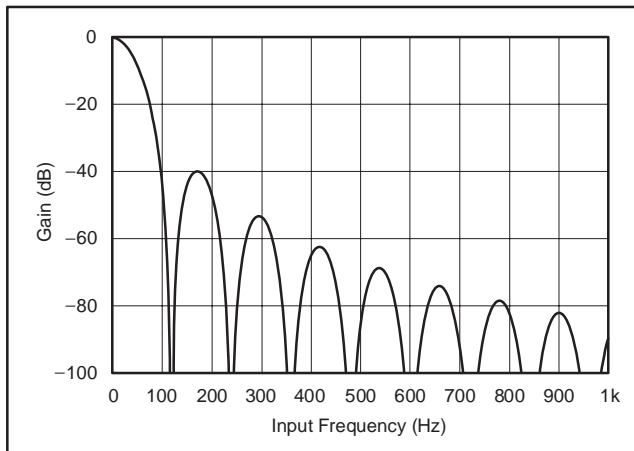


Figure 21. Frequency Response to 1kHz

Rejecting 50Hz or 60Hz noise is as simple as choosing the clock frequency. If simultaneous rejection of 50Hz and 60Hz noise is desired,  $f_{CLK} = 910kHz$  can be chosen. The data rate becomes 54.7SPS and the frequency response of the ADS1222 rejects the 50Hz and 60Hz noise to below 60dB. The frequency response of the ADS1222 near 50Hz and 60Hz with  $f_{CLK} = 910kHz$  is shown in Figure 22.

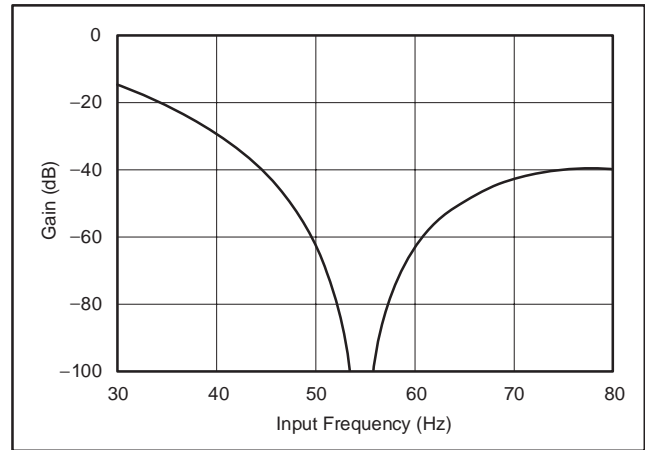


Figure 22. Frequency Response Near 50Hz and 60Hz with  $f_{CLK} = 910kHz$

**SETTLING TIME**

After changing the input multiplexer, selecting the input buffer, or using temperature sensor, the first data is fully settled. In the ADS1222, the digital filter is allowed to settle after toggling any of the MUX, BUFEN, or TEMPEN pins. Toggling of any of these digital pins will cause the input to switch to the proper channel, start conversions, and hold the  $\overline{DRDY}/DOUT$  line high until the digital filter is fully settled. For example, if MUX changes from low to high, selecting a different input channel,  $\overline{DRDY}/DOUT$  immediately goes high and the conversion process restarts.  $\overline{DRDY}/DOUT$  goes low when fully settled data is ready for retrieval. There is no need to discard any data. Figure 23 shows the timing of the  $\overline{DRDY}/DOUT$  line as the input multiplexer changes.

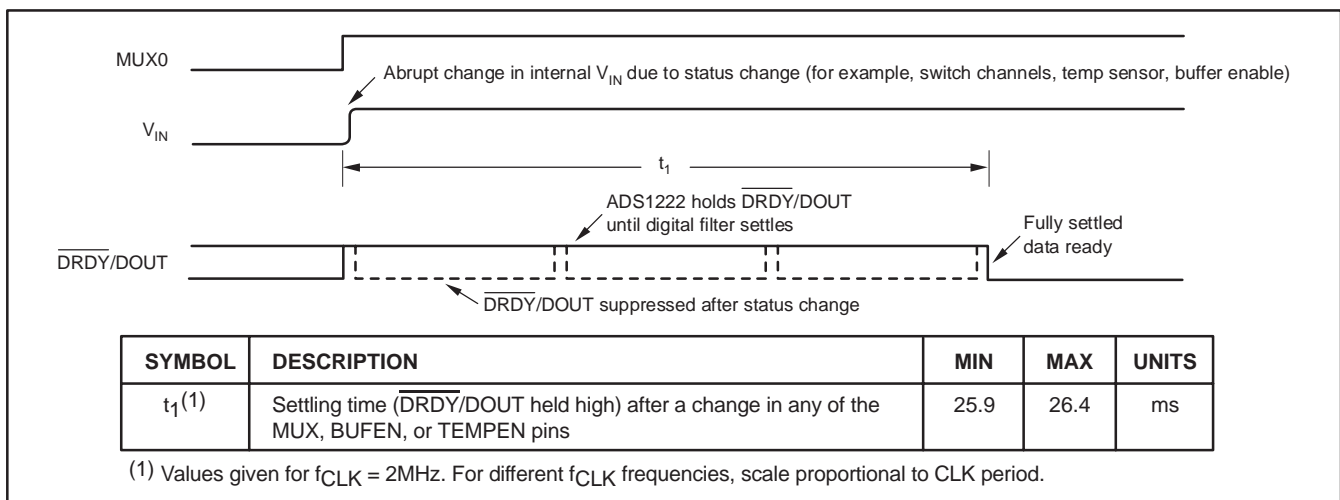


Figure 23. Example of Settling Time After Changing the Input Multiplexer

The ADS1222 uses a Sinc<sup>3</sup> digital filter to improve noise performance. Therefore, in certain instances, large changes in input will require settling time. For example, an external multiplexer in front of the ADS1222 can put large changes in input voltage by simply switching input channels. Abrupt changes in the input will require three data cycles to settle. When continuously converting, four readings may be necessary to settle the data. If the change in input occurs in the middle of the first conversion, three more full conversions of the fully settled input will be required to get fully settled data. Discard the first three readings because they will contain only partially-settled data. Figure 24 illustrates the settling time for the ADS1222 in Continuous Conversion mode.

If the input is known to change abruptly, the mux can be quickly switched to an alternate channel and quickly switched back to the original channel. By toggling the mux, the ADS1222 resets the digital filter and initiates a new conversion. During this time, the  $\overline{\text{DRDY}}/\text{DOUT}$  line is held high until fully-settled data is available.

### DATA FORMAT

The ADS1222 outputs 24 bits of data in binary two's complement format. The least significant bit (LSB) has a weight of  $(2V_{\text{REF}})/(2^{23} - 1)$ . The positive full-scale input produces an output code of 7FFFFFFh and the negative full-scale input produces an output code of 800000h. The output clips at these codes for signals exceeding full-scale. Table 2 summarizes the ideal output codes for different input signals.

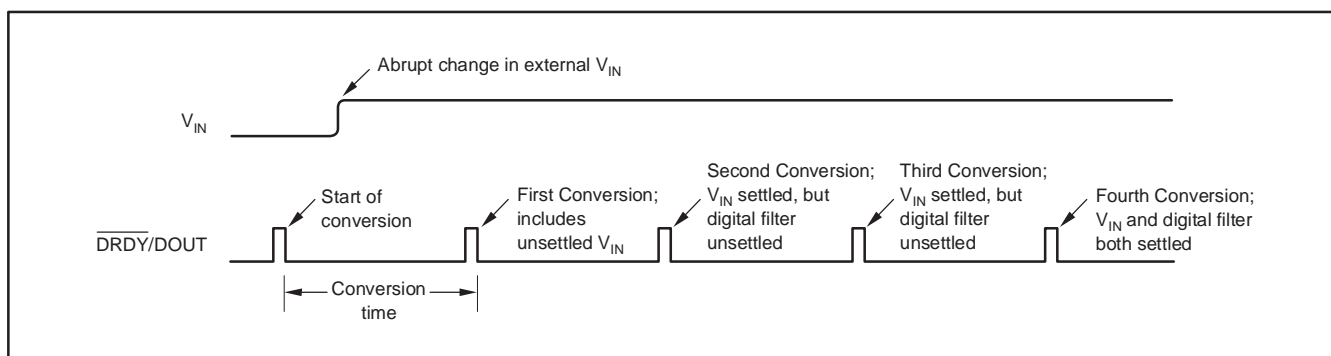
**Table 2. Ideal Output Code vs Input Signal**

INPUT SIGNAL $V_{\text{IN}}$ ( $\text{AINP} - \text{AINN}$ )	IDEAL OUTPUT CODE <sup>(1)</sup>
$\geq +2V_{\text{REF}}$	7FFFFFFh
$\frac{+2V_{\text{REF}}}{2^{23} - 1}$	000001h
0	000000h
$\frac{-2V_{\text{REF}}}{2^{23} - 1}$	FFFFFFh
$\leq -2V_{\text{REF}} \left( \frac{2^{23}}{2^{23} - 1} \right)$	800000h

<sup>(1)</sup> Excludes effects of noise, INL, offset, and gain errors.

### DATA RETRIEVAL

The ADS1222 continuously converts the analog input signal. To retrieve data, wait until  $\overline{\text{DRDY}}/\text{DOUT}$  goes low, as shown in Figure 25. After this occurs, begin shifting out the data by applying SCLKs. Data is shifted out MSB first. It is not required to shift out all 24 bits of data, but the data must be retrieved before the new data is updated (see  $t_2$ ) or else it will be overwritten. Avoid data retrieval during the update period.  $\overline{\text{DRDY}}/\text{DOUT}$  remain at the state of the last bit shifted out until it is taken high (see  $t_6$ ), indicating that new data is being updated. To avoid having  $\overline{\text{DRDY}}/\text{DOUT}$  remain in the state of the last bit, shift a 25th SCLK to force  $\overline{\text{DRDY}}/\text{DOUT}$  high (see Figure 26). This technique is useful when a host controlling the ADS1222 is polling  $\overline{\text{DRDY}}/\text{DOUT}$  to determine when data is ready.



**Figure 24. Settling Time in Continuous Conversion Mode**

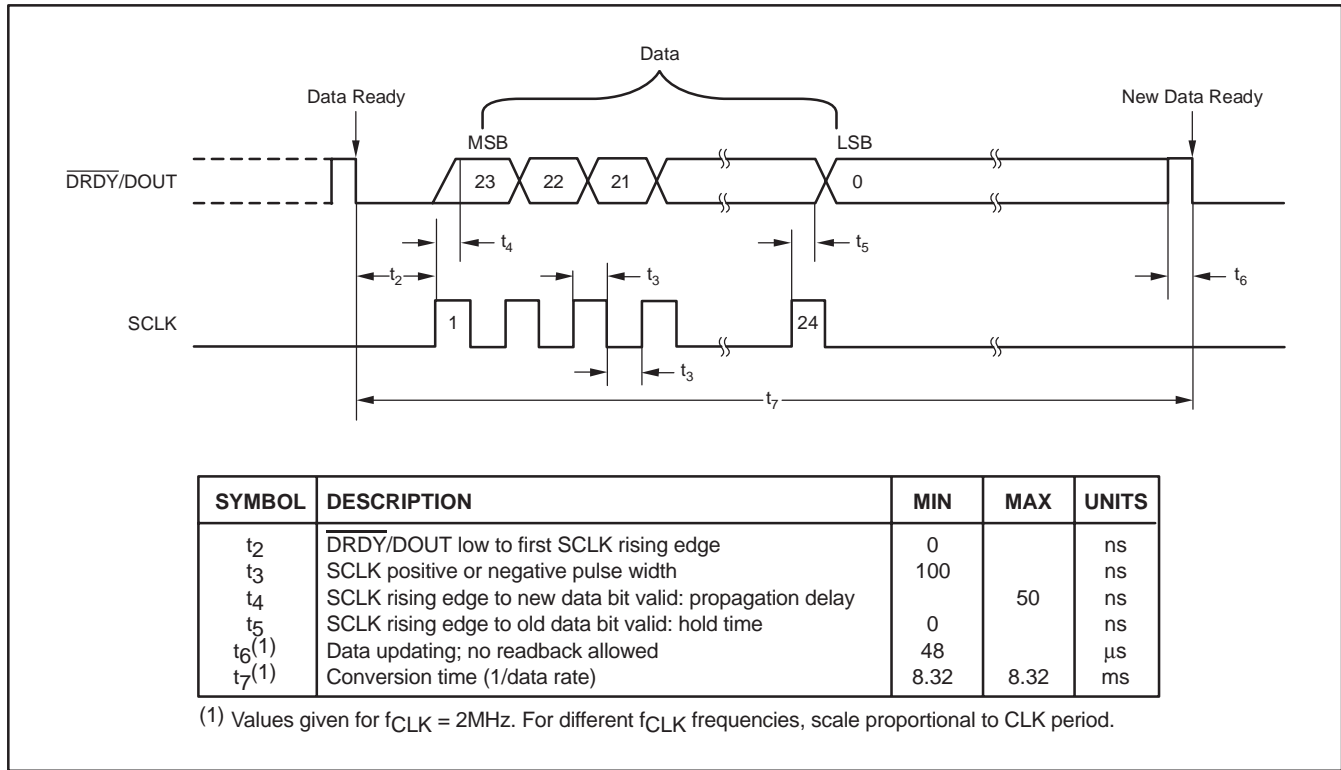


Figure 25. Data Retrieval Timing

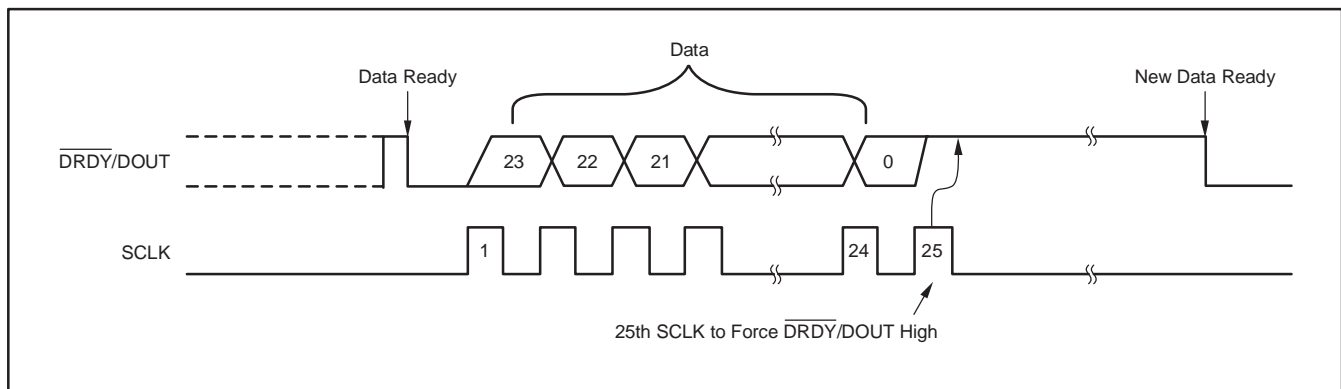


Figure 26. Data Retrieval with  $\overline{\text{DRDY}}/\text{DOUT}$  Forced High Afterwards

## SELF-CALIBRATION

Self-calibration can be initiated at any time, although in many applications the ADS1222 drift performance is so good that the self-calibration performed automatically at power-up is all that is needed. To initiate self-calibration, apply at least two additional SCLKs after retrieving 24 bits of data. Figure 27 shows the timing pattern. The 25th SCLK will send  $\overline{\text{DRDY}}/\text{DOUT}$  high. The falling edge of the 26th SCLK will begin the calibration cycle. Additional SCLK pulses may be sent after the 26th SCLK; however, activity on SCLK should be minimized during calibration for best results.

When the calibration is complete,  $\overline{\text{DRDY}}/\text{DOUT}$  goes low, indicating that new data is ready. There is no need to alter the analog input signal applied to the ADS1222 during calibration; the input pins are disconnected within the A/D converter and the appropriate signals are applied internally and automatically. The first conversion after a calibration is fully settled and valid for use. The time required for a calibration depends on two independent signals: the falling edge of SCLK and an internal clock derived from CLK. Variations in the internal calibration values will change the time required for calibration ( $t_g$ ) within the range given by the min/max specs.  $t_{11}$  and  $t_{12}$  described in the next section are affected likewise.

## STANDBY MODE

Standby mode dramatically reduces power consumption (typically  $< 1\mu\text{W}$  with CLK stopped) by shutting down all of the active circuitry. To enter Standby mode, simply hold SCLK high after  $\overline{\text{DRDY}}/\text{DOUT}$  goes low, as shown in Figure 28. Standby mode can be initiated at any time during readback; it is not necessary to retrieve all 24 bits of data beforehand.

When  $t_{11}$  has passed with SCLK held high, Standby mode will activate.  $\overline{\text{DRDY}}/\text{DOUT}$  stays high when Standby mode begins. SCLK must remain high to stay in Standby mode. To exit Standby mode (wakeup), set SCLK low. The first data after exiting Standby mode is valid. It is not necessary to stop CLK during Standby mode, but doing so will further reduce the digital supply current.

### Standby Mode With Self-Calibration

Self-calibration can be set to run immediately after exiting Standby mode. This is useful when the ADS1222 is put in Standby mode for long periods of time and self-calibration is desired afterwards to compensate for temperature or supply voltage changes.

To force a self-calibration with Standby mode, shift 25 bits out before taking SCLK high to enter Standby mode. Self-calibration then begins after wakeup. Figure 29 shows the appropriate timing. Note the extra time needed after wakeup for calibration before data is ready. The first data after Standby mode with self-calibration is fully settled and can be used.

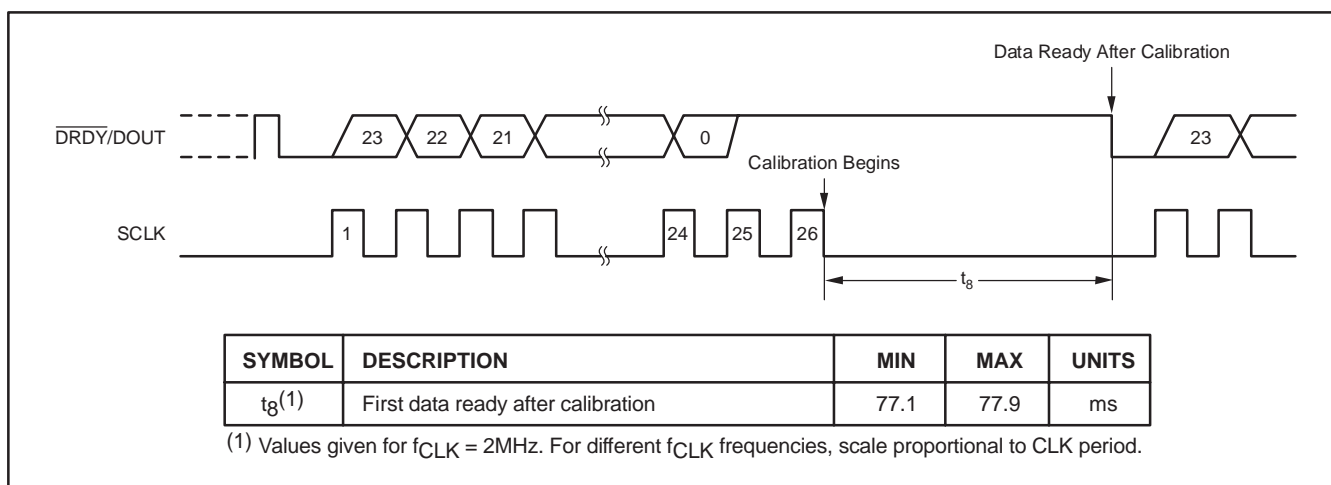


Figure 27. Self-Calibration Timing

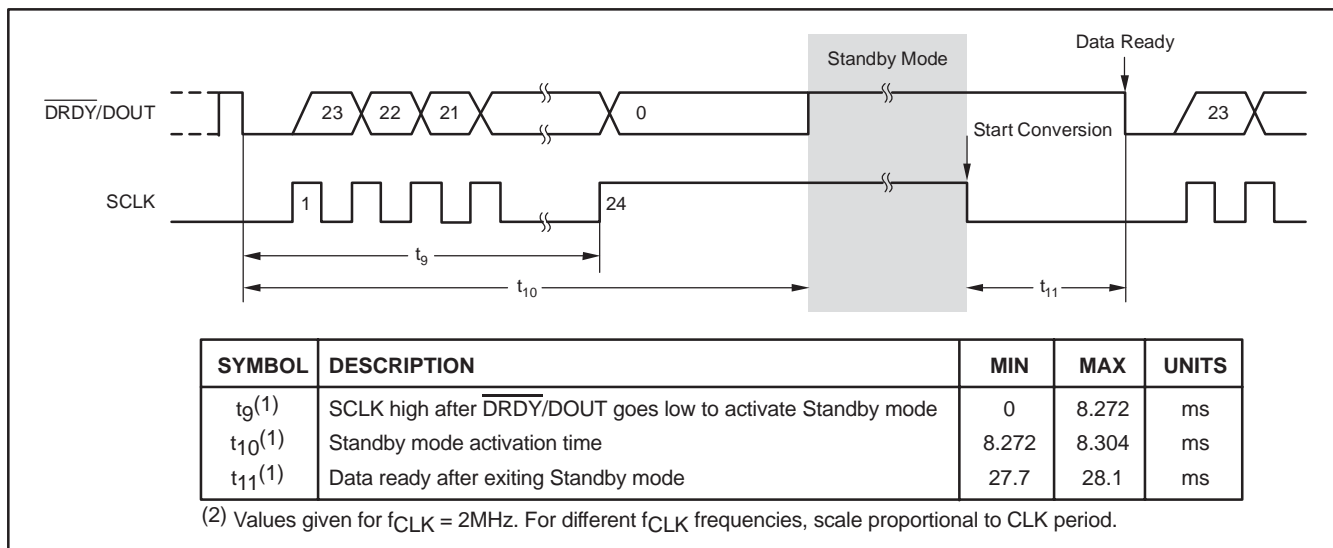


Figure 28. Standby Mode Timing (can be used for single conversions)

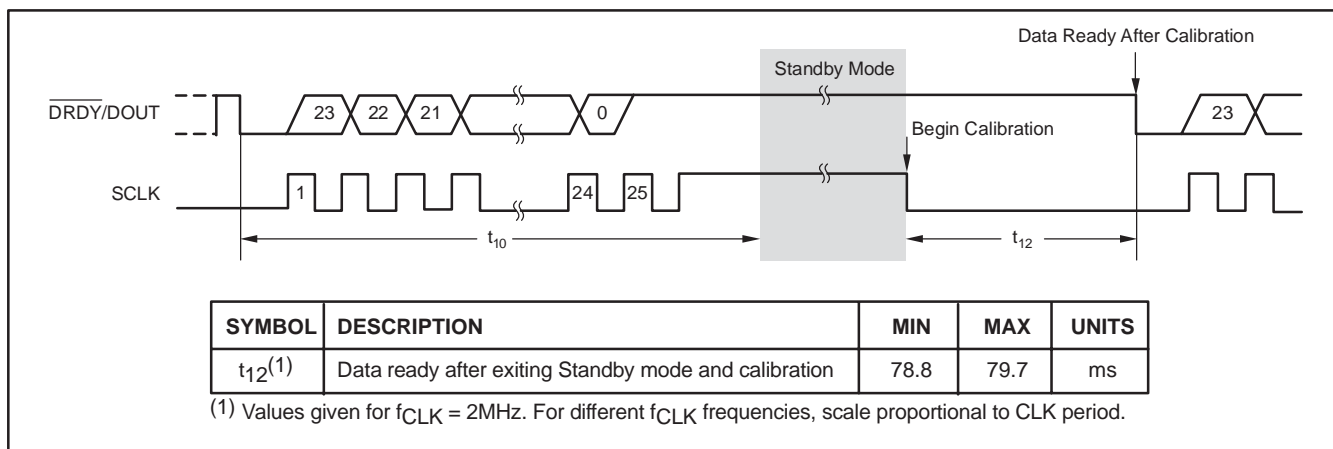


Figure 29. Standby Mode with Self-Calibration Timing (can be used for single conversions)

**SINGLE CONVERSIONS**

When only single conversions are needed, Standby mode can be used to start and stop the ADS1222. To make a single conversion, first enter the Standby mode holding SCLK high. Now, when ready to start the conversion, take SCLK low. The ADS1222 wakes up and begins the conversion. Wait for  $\overline{\text{DRDY/DOUT}}$  to go low, and then retrieve the data. Afterwards, take SCLK

high to stop the ADS1222 from converting and re-enter Standby mode. Continue to hold SCLK high until ready to start the next conversion. Operating in this fashion greatly reduces power consumption since the ADS1222 is shut down while idle between conversions. Self-calibrations can be performed prior to the start of the single conversions by using the waveform shown in Figure 29.



## APPLICATIONS INFORMATION

### GENERAL RECOMMENDATIONS

The ADS1222 is a high-resolution A/D converter. Achieving optimal device performance requires careful attention to the support circuitry and printed circuit board (PCB) design. Figure 30 shows the basic connections for the ADS1222. As with any precision circuit, be sure to use good supply bypassing capacitor techniques. A smaller value ceramic capacitor in parallel with a larger value tantalum capacitor works well. Place the capacitors, in particular the ceramic ones, close to the supply pins. Use a ground plane and tie the ADS1222 GND pin and bypass capacitors directly to it. Avoid ringing on the digital inputs. Small resistors ( $\approx 100\Omega$ ) in series with the digital pins can help by controlling the trace impedance. Place these resistors at the source end.

Pay special attention to the reference and analog inputs. These are the most critical circuits. Bypass the voltage reference using similar techniques to the supply voltages. The quality of the reference directly affects the overall accuracy of the device. Make sure to use a low noise and low drift reference such as the REF1004.

Often, only a simple RC filter is needed on the inputs. This circuit limits the higher frequency noise. Avoid low-grade dielectrics for the capacitors and place them as close as possible to the input pins. Keep the traces to the input pins short, and carefully watch how they are routed on the PCB.

After the power supplies and reference voltage have stabilized, issue a self-calibration command to minimize offset and gain errors.

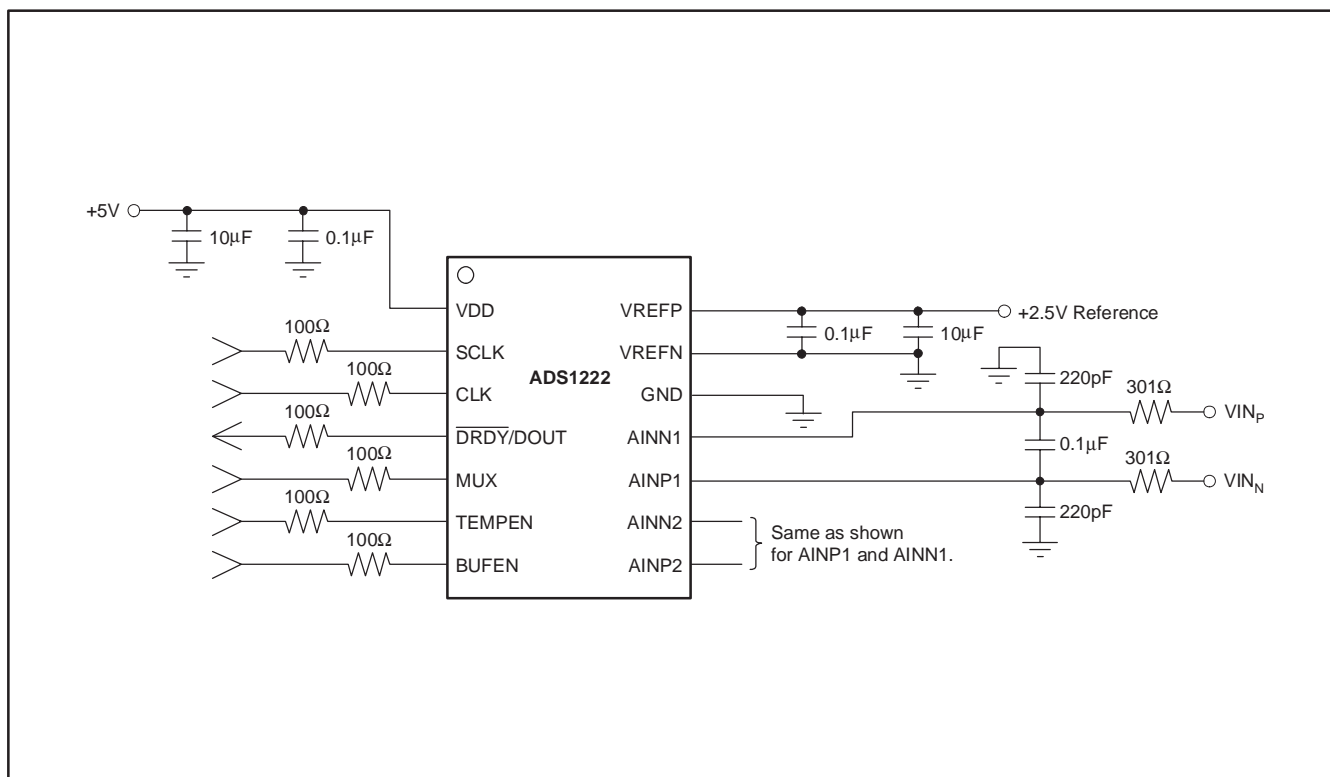


Figure 30. Basic Connections

### MULTICHANNEL SYSTEMS

Multiple ADS1222s can be operated in parallel to measure multiple input signals. Figure 31 shows an example of a four-channel system. For simplicity, the supplies and reference circuitry are not shown. The same CLK signal should be applied to all devices. To synchronize the ADS1222s, connect the same SCLK signal to all devices. Then place all the devices in Standby mode. Afterwards, starting a conversion will synchronize all the ADS1222s; that is, they will sample the input signals simultaneously. The  $\overline{\text{DRDY}}/\text{DOUT}$  outputs will go low at approximately the same time after synchronization. When reading data from the devices, the data appears in parallel on  $\overline{\text{DRDY}}/\text{DOUT}$  as a result of the common SCLK connection.

The falling edges of  $\overline{\text{DRDY}}/\text{DOUT}$ , indicating that new data is ready, will vary with respect to each other no more than time  $t_{13}$ . This variation is due to possible differences in the ADS1222 internal calibration settings. To account for this, when using multiple devices, either wait for  $t_{13}$  to pass after seeing one  $\overline{\text{DRDY}}/\text{DOUT}$  go low, or wait until all  $\overline{\text{DRDY}}/\text{DOUT}$ s have gone low before retrieving data.

Note that changing channels (using the MUX pin), or using the input buffer (BUFEN) or the temperature sensor (TEMPEN), may require more care to settle the digital filter. For example, if the MUX pin is toggled on one device and not the other, the  $\overline{\text{DRDY}}/\text{DOUT}$  line will be held high until the conversion settles on the first device. The latter device will continue conversions through this time. See the *Settling Time* section of this datasheet for further details.

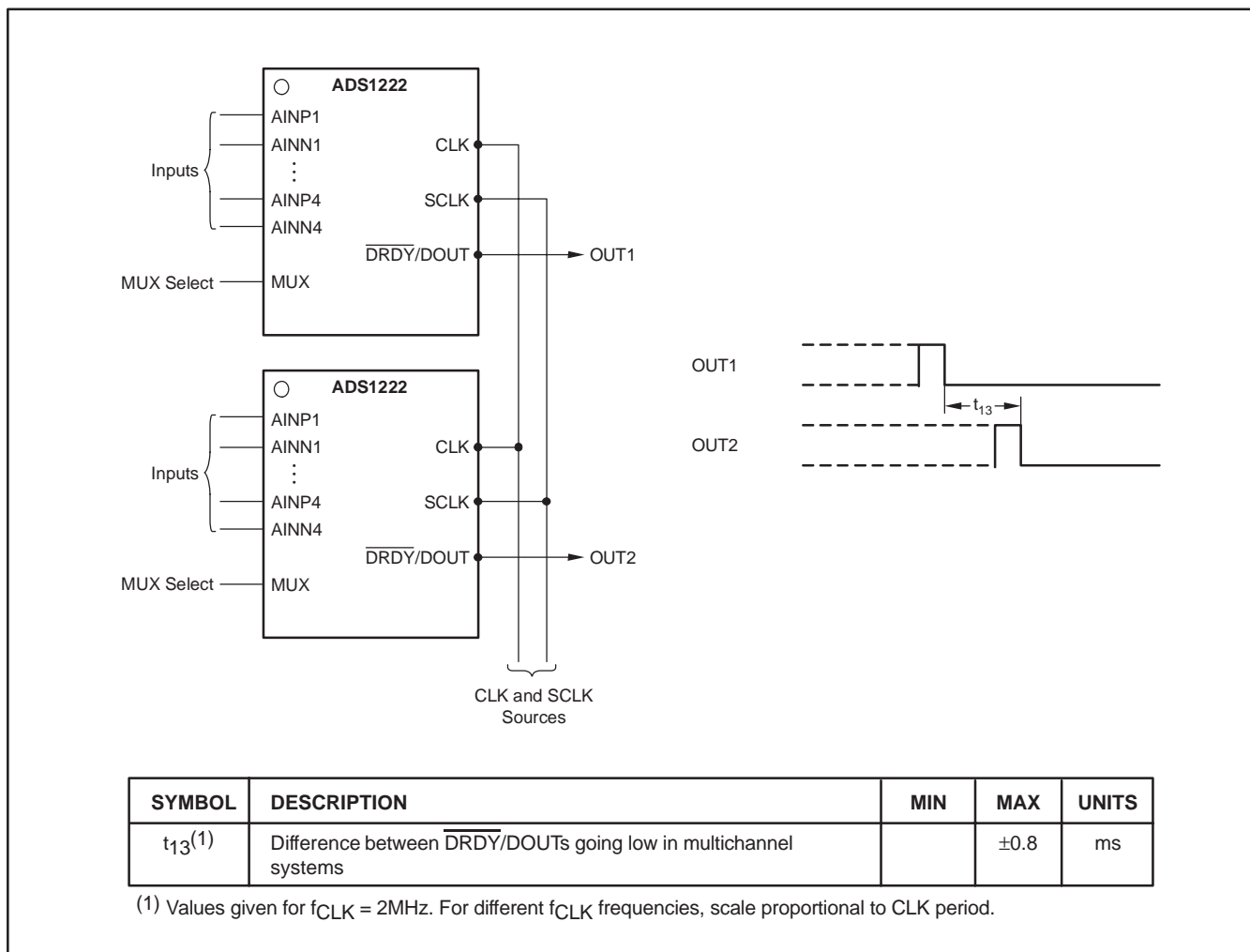
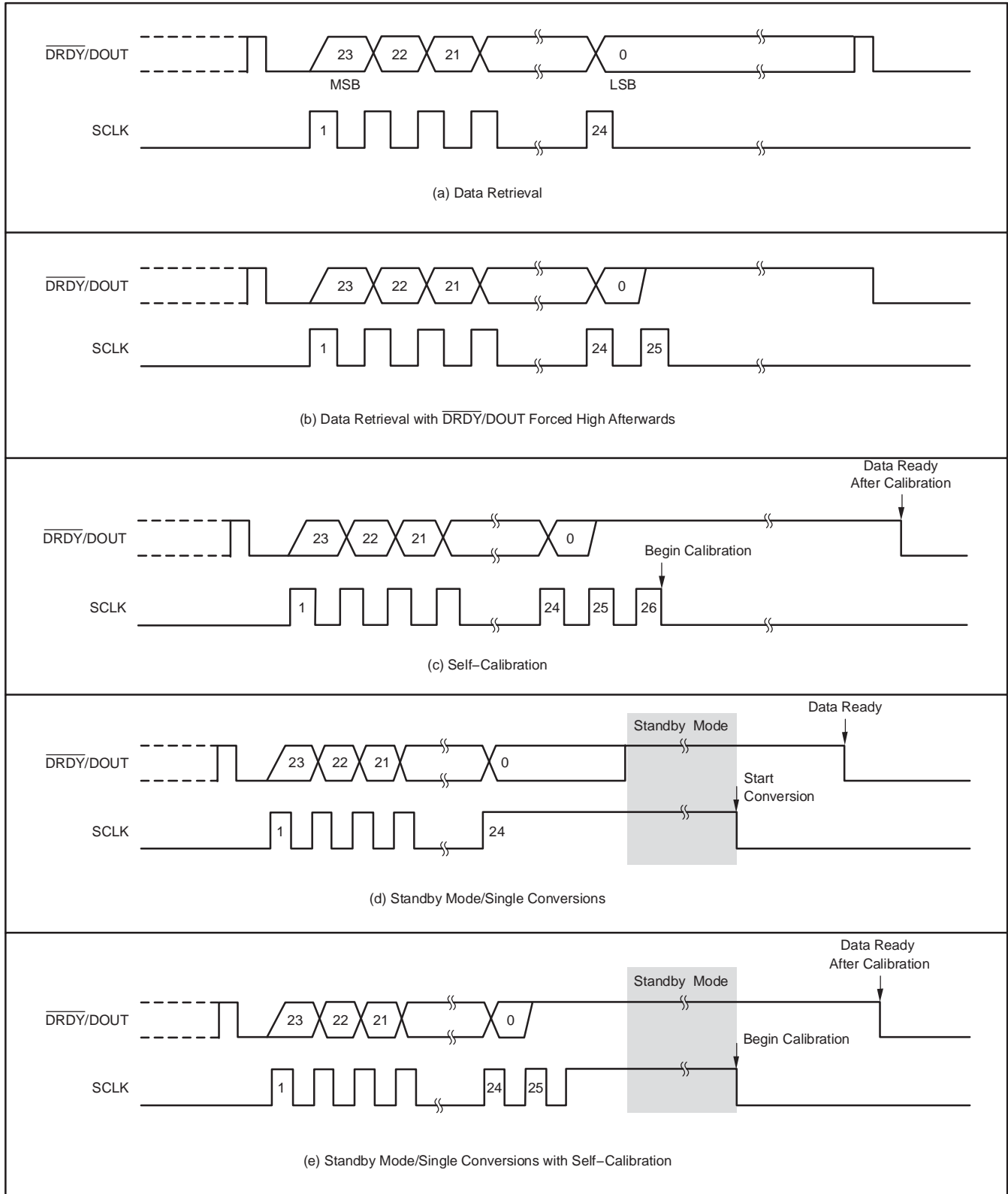


Figure 31. Example of Using Multiple ADS1222s in Parallel

**SUMMARY OF SERIAL INTERFACE WAVEFORMS**



**Figure 32. Summary of Serial Interface Waveforms**

PW (R-PDSO-G\*\*)

PLASTIC SMALL-OUTLINE PACKAGE

14 PINS SHOWN



4040064/F 01/97

- NOTES: A. All linear dimensions are in millimeters.  
 B. This drawing is subject to change without notice.  
 C. Body dimensions do not include mold flash or protrusion not to exceed 0,15.  
 D. Falls within JEDEC MO-153

## IMPORTANT NOTICE

Texas Instruments Incorporated and its subsidiaries (TI) reserve the right to make corrections, modifications, enhancements, improvements, and other changes to its products and services at any time and to discontinue any product or service without notice. Customers should obtain the latest relevant information before placing orders and should verify that such information is current and complete. All products are sold subject to TI's terms and conditions of sale supplied at the time of order acknowledgment.

TI warrants performance of its hardware products to the specifications applicable at the time of sale in accordance with TI's standard warranty. Testing and other quality control techniques are used to the extent TI deems necessary to support this warranty. Except where mandated by government requirements, testing of all parameters of each product is not necessarily performed.

TI assumes no liability for applications assistance or customer product design. Customers are responsible for their products and applications using TI components. To minimize the risks associated with customer products and applications, customers should provide adequate design and operating safeguards.

TI does not warrant or represent that any license, either express or implied, is granted under any TI patent right, copyright, mask work right, or other TI intellectual property right relating to any combination, machine, or process in which TI products or services are used. Information published by TI regarding third-party products or services does not constitute a license from TI to use such products or services or a warranty or endorsement thereof. Use of such information may require a license from a third party under the patents or other intellectual property of the third party, or a license from TI under the patents or other intellectual property of TI.

Reproduction of information in TI data books or data sheets is permissible only if reproduction is without alteration and is accompanied by all associated warranties, conditions, limitations, and notices. Reproduction of this information with alteration is an unfair and deceptive business practice. TI is not responsible or liable for such altered documentation.

Resale of TI products or services with statements different from or beyond the parameters stated by TI for that product or service voids all express and any implied warranties for the associated TI product or service and is an unfair and deceptive business practice. TI is not responsible or liable for any such statements.

Following are URLs where you can obtain information on other Texas Instruments products and application solutions:

<b>Products</b>		<b>Applications</b>	
Amplifiers	<a href="http://amplifier.ti.com">amplifier.ti.com</a>	Audio	<a href="http://www.ti.com/audio">www.ti.com/audio</a>
Data Converters	<a href="http://dataconverter.ti.com">dataconverter.ti.com</a>	Automotive	<a href="http://www.ti.com/automotive">www.ti.com/automotive</a>
DSP	<a href="http://dsp.ti.com">dsp.ti.com</a>	Broadband	<a href="http://www.ti.com/broadband">www.ti.com/broadband</a>
Interface	<a href="http://interface.ti.com">interface.ti.com</a>	Digital Control	<a href="http://www.ti.com/digitalcontrol">www.ti.com/digitalcontrol</a>
Logic	<a href="http://logic.ti.com">logic.ti.com</a>	Military	<a href="http://www.ti.com/military">www.ti.com/military</a>
Power Mgmt	<a href="http://power.ti.com">power.ti.com</a>	Optical Networking	<a href="http://www.ti.com/opticalnetwork">www.ti.com/opticalnetwork</a>
Microcontrollers	<a href="http://microcontroller.ti.com">microcontroller.ti.com</a>	Security	<a href="http://www.ti.com/security">www.ti.com/security</a>
		Telephony	<a href="http://www.ti.com/telephony">www.ti.com/telephony</a>
		Video & Imaging	<a href="http://www.ti.com/video">www.ti.com/video</a>
		Wireless	<a href="http://www.ti.com/wireless">www.ti.com/wireless</a>

Mailing Address: Texas Instruments  
Post Office Box 655303 Dallas, Texas 75265