

90° LED ASSEMBLIES

T-1³/₄ (5mm) Assemblies

- Low Cost
- Standard Footprint
- Additional Configurations
- Design Your Own LED Assembly (see page 138)

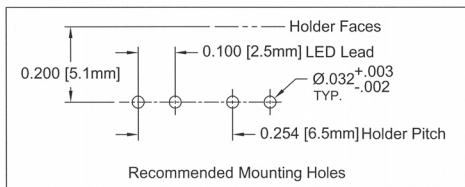
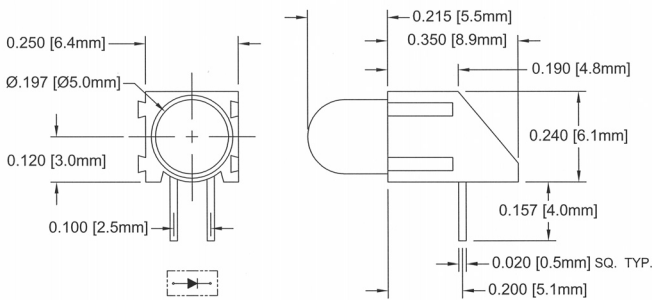
LED Assy. No.	Peak Wave Length	Emitted Color	Lens Appearance	Abs. Max. Rating	Electro-Optical Data @20mA			Viewing Angle 2 θ 1/2 (deg)	LED P/N	
					If (mA)	Vf (V)				Iv (mcd)
						TYP	MAX			
H17XCBWD	430	BLUE	DIFFUSED	20	4.0	4.5	20.0	45	5BWD	
H17XCGD	565	GREEN	DIFFUSED	20	2.2	2.6	30.0	45	5GD	
H17XCVD	585	YELLOW	DIFFUSED	20	2.1	2.6	20.0	45	5VD	
H17XCHD	635	HE RED	DIFFUSED	20	2.0	2.6	30.0	45	5HD	
H17XCRD	655	RED	DIFFUSED	20	1.7	2.0	6.0	45	5RD	
H17XCSR	660	SUPER RED	DIFFUSED	20	1.7	2.6	90.0	45	5SRD	
Low Current				Data @2mA						
H17XCGDL	565	GREEN	DIFFUSED	2	1.8	2.2	3.0	45	5GDL	
H17XCVDL	585	YELLOW	DIFFUSED	2	1.9	2.2	3.0	45	5VDL	
H17XCHDL	635	HE RED	DIFFUSED	2	1.8	2.2	3.0	45	5HDL	
5 Volt				Data @10mA						
H17XCGD5V	565	GREEN	DIFFUSED	10	-	5.0	25.0	45	5GD5V	
H17XCVD5V	585	YELLOW	DIFFUSED	10	-	5.0	20.0	45	5VD5V	
H17XCHD5V	635	HE RED	DIFFUSED	10	-	5.0	50.0	45	5HD5V	

Note:

To order, replace H17XC with either H175C (Interlocking) or H178C (Single Station)

H175C Series

T-1³/₄ (5mm), Interlocking Assembly.



H178C Series

T-1³/₄ (5mm), Single Station Assembly.

