

# ECON-O-GIDE®

## Standard Snap-in Card Guides for 1/16<sup>th</sup> PCBs

- 25 Standard Lengths from 2"-14" in 1/2" increments
- Precision Molded for rigidity, strength and heat resistance from 94V-O UL rated materials
- Stainless Steel Conductive Inserts available for all lengths (see page 13)

ECON-O-GIDE is the industry standard by which all other snap-in card guides are judged. Rigid, strong and economical, ECON-O-GIDES provide the design flexibility and installed reliability that your most demanding products require. Retention is firm and there are no special tools or fixtures required for installation. Locking ejectors can be used for positive PCB retention and insertion/extraction ease (see page 33 for details).

### Mounting Information:

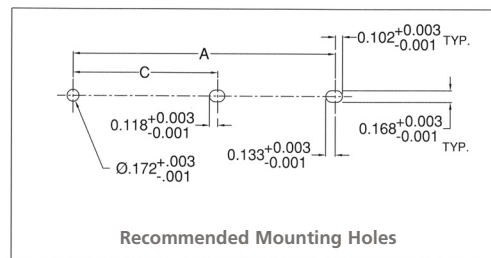
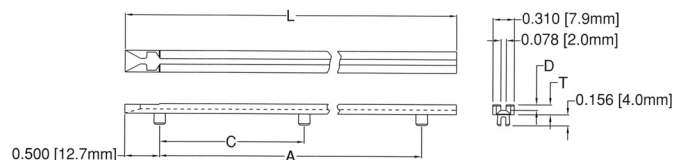
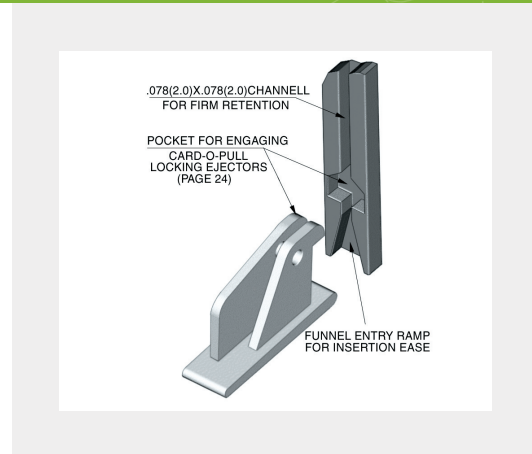
Snap-in metal plates: 0.047" - 0.090" (1.2mm - 2.3mm) thick  
 Hole Size: Front - 0.172" (4.4mm) diameter + 0.003" (0.08mm) - 0.001" (0.03mm) 11/64th drill  
 Center - 0.220" x 0.168" + 0.003" - 0.001"  
 Rear - 0.235" x 0.168" + 0.003" - 0.001"

### Material Specifications:

UL Rated 94V-0, Black, 10% Glass-Filled 6 Nylon per ASTM D4066 PA210G10  
 Oxygen Index: +28%  
 UL File #E84658

### Application Notes:

Slotting or elongating of the second and third mounting hole is recommended to allow for length variations and to provide for easier assembly. Prolonged pre-assembly exposure to high humidity can cause molded Nylon components to "grow" out of tolerance. Storage in a cool dry place is recommended. Open sealed vapor barrier bags at the time of production to assure optimum shelf life.



Econ-O-Gide		2" thru 8" Lengths	
Part No.	L ±.062 (1.6)	A +.016(.41) -.032(.81)	DESC DWG. NO.
E-200	2.0 (50.8)	1.016 (25.8)	-
E-250	2.5 (63.5)		84006-01
E-300	3.0 (76.2)	1.516 (38.5)	84006-02
E-350	3.5 (88.9)		84006-3
E-400	4.0 (101.6)		84006-4
E-450	4.5 (114.3)	3.016 (76.6)	84006-5
E-500	5.0 (127.0)		84006-6
E-550	5.5 (139.7)		84006-7
E-600	6.0 (152.4)	5.016 (127.4)	84006-8
E-650	6.5 (165.1)		84006-9
E-700	7.0 (177.8)		84006-10
E-750	7.5 (190.5)	6.031 (153.2)	84006-11
E-800	8.0 (203.2)		84006-12

Econ-O-Gide		8-1/2" thru 14" Lengths				
Part No.	L ±.062 (1.6)	A +.016 (.41) -.047 (1.2)	C +.016 (.41) -.032 (.81)	D ±.005 (.13)	T ±.007 (.18)	DESC DWG. NO.
E-850	8.5 (215.9)					84006-13
E-900	9.0 (228.6)	7.531 (191.3)	3.766 (95.7)	.078 (2.0)	.141 (3.6)	84006-14
E-950	9.5 (241.3)					84006-15
E-1000	10.0 (254.0)					84006-16
E-1050	10.5 (266.7)	9.031 (229.4)	4.516 (114.7)	.078 (2.0)	.141 (3.6)	84006-17
E-1100	11.0 (279.4)					84006-18
E-1150	11.5 (292.1)					84006-19
E-1200	12.0 (304.8)	10.547 (267.9)	5.274 (134.0)	.093 (2.4)	.156 (4.0)	84006-20
E-1250	12.5 (317.5)					84006-21
E-1300	13.0 (330.2)					84006-22
E-1350	13.5 (342.9)	12.047 (306.0)	6.024 (153.0)	.093 (2.4)	.156 (4.0)	84006-23
E-1400	14.0 (355.6)					84006-24