

LED MOUNTS/SPACERS

Single T-13/4 (5mm) LED Holders

Material Specifications:

Nylon, per ASTM D-4066 PA111, UL Rated as indicated

Oxygen Index: +28%

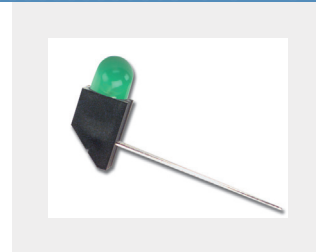
UL File #E135532

Standard Drawing Tolerances:

(unless otherwise indicated)

Fractions: $\pm 1/64$ (.40) .XX = $\pm .010$ (.254)

.X = $\pm 1/64$ (.40) .XXX = $\pm .005$ (.127)



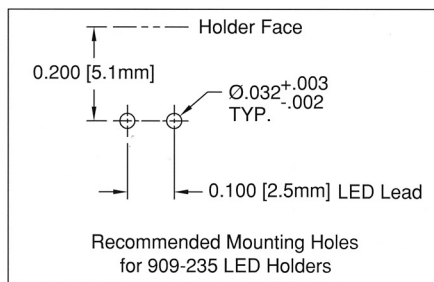
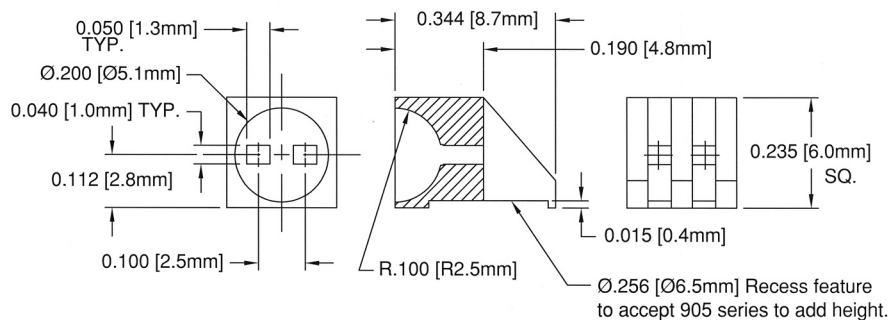
909-235 Series

Color: Black or Natural
Price Code: B

Part No.

909-235 NT

909-235 BK



909-235R Series

Color: Black or Natural
Price Code: B

Part No.

909-235R NT

909-235R BK

