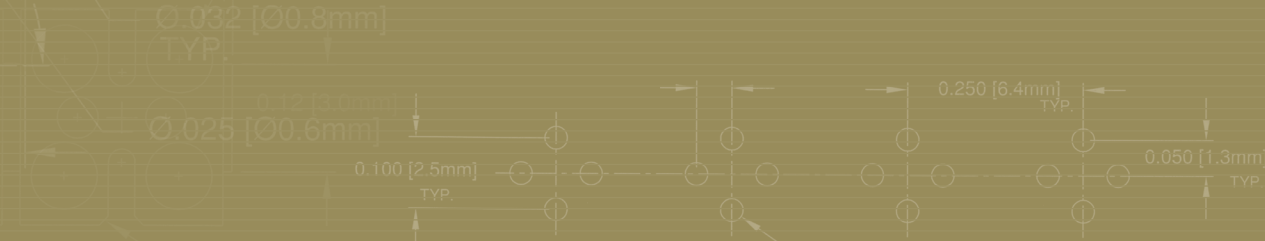


# PERM-O-PADS®

## TO-5 and Integrated Circuit Mounts



### Material Specifications:

White or Natural Nylon, per ASTM D4066 PA111, UL Rated 94V-2.

**Oxygen Rating Index:** Over 28%

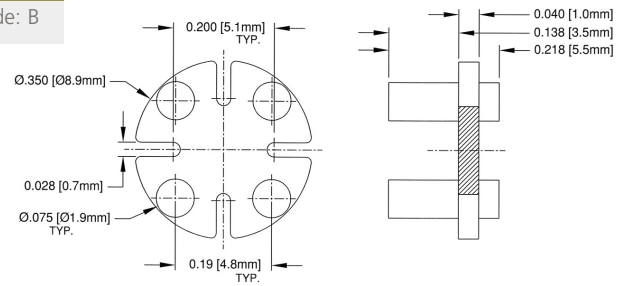
### Standard Drawing Tolerances:

(unless otherwise indicated)

Fractions:  $\pm 1/64$  (0.4) .XX =  $\pm 0.01$  (0.25)  
 .X =  $\pm 0.10$  (2.5) .XXX =  $\pm 0.005$  (0.13)

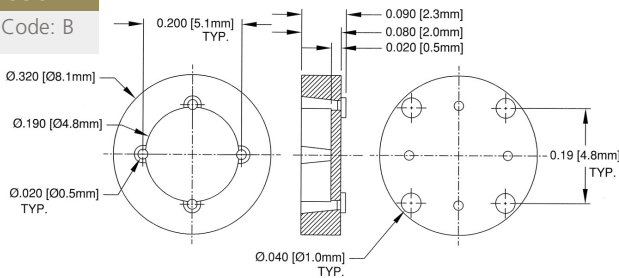
### 531-218

Price Code: B



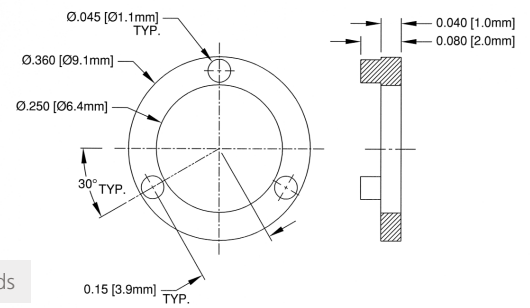
### 535-090

Price Code: B



### 600-080

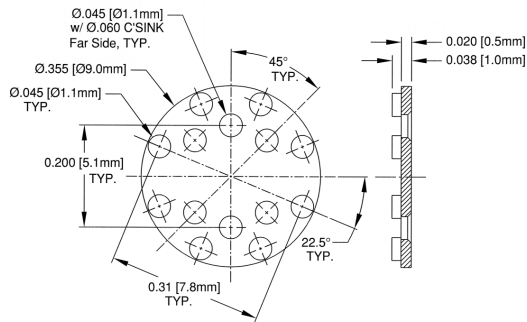
Price Code: A



6, 8, 10 or 12 Leads

### 602-038

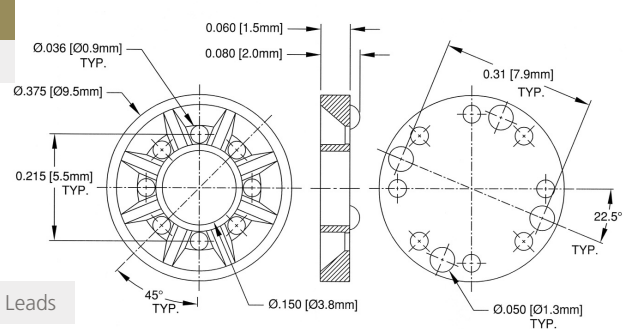
Price Code: B



6 Leads

### 605-085

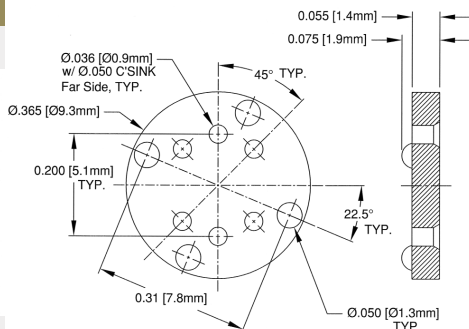
Price Code: B



Color: Blue, 8 Leads

### 609-075

Price Code: B

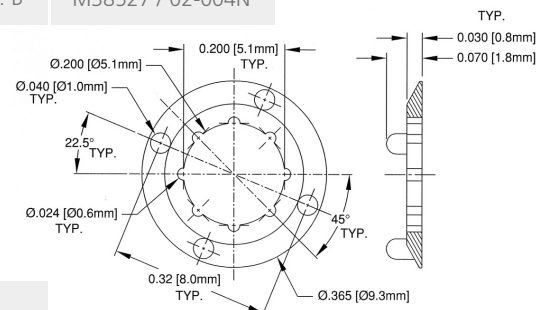


6 Leads

### 616-070

Price Code: B

A55485 / 02-004N  
M38527 / 02-004N



8 Leads