

DSL Magnetics

RM5 Through-Hole Inductors

- Designed with two well balanced and coupled windings for use in ADSL applications where filtering is required
- Withstand 100A surge of 10/700 μ s pulse
- Operating temperature range: -40°C to $+85^{\circ}\text{C}$
- Meets IEC 695, 2-2 flammability requirements
- PWB Process Capability: standard printed wiring board assembly techniques, total-immersion cleaning
- Reliability testing: shock, vibration, temperature cycling, temperature - humidity - bias

ELECTRICAL SPECIFICATIONS AT 25°C

Part Number	Turns Ratio ¹ $\pm 2\%$	Inductance ² mH		DCR Ω		Leakage Inductance ³ μH max	Dielectric Rating Vrms
	(1-3) : (4-2)	(1-3)	(1-3) min	(1-3)	(4-2)	(1-3)	between (1-3) & (4-2) and 1, 2, & cores
1797A	1 : 1	3 - 3.3	2.85 ⁴	2.1 - 2.7	2.1 - 2.7	5	1000
1797B	1 : 1	2.4 - 2.65	2.3 ⁴	3.0 - 3.6	3.0 - 3.6	5	1000
1797C	1 : 1	4.3 - 4.73	4.1 ⁴	4.0 - 5.1	4.0 - 5.1	6	1000
1797D	1 : 1	7.6 - 8.4	7.3 ⁵	4.3 - 5.8	4.3 - 5.8	6	1000

1. measured at 20 kHz, 1 Vrms

2. measured at 10 kHz, 0.1 Vrms

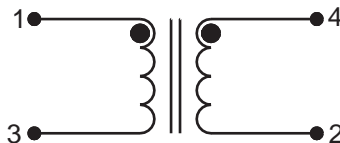
3. measured at 100 kHz, 0.1 Vrms

4. measured at 10 kHz, 0.1 Vrms, 100 mA DC

5. measured at 10 kHz, 0.1 Vrms, 40 mA DC

SCHEMATIC

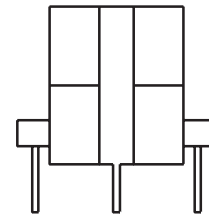
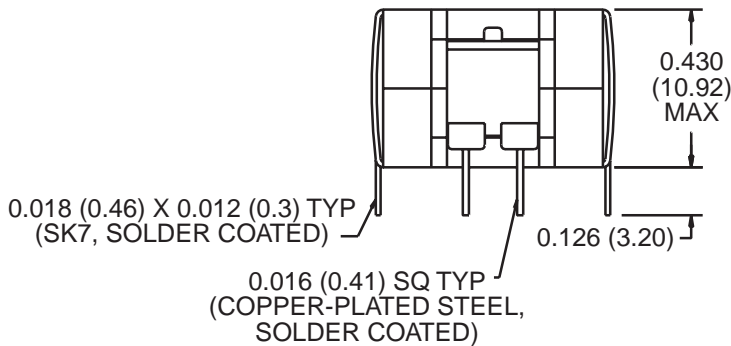
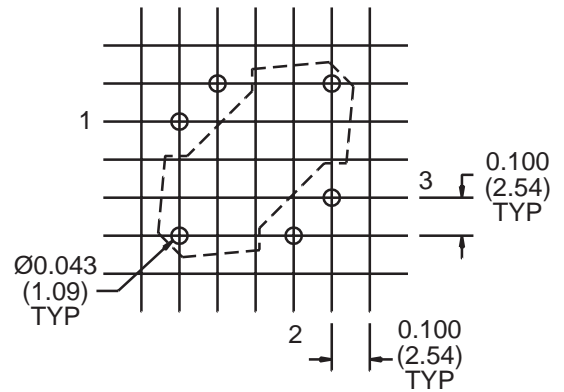
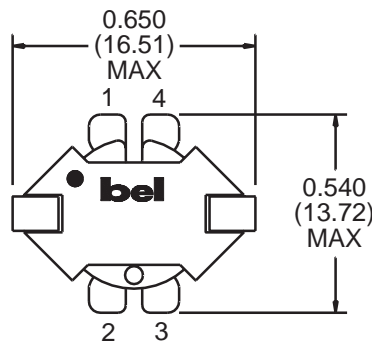
1797A
1797B
1797C
1797D



MECHANICAL

1797A
1797B
1797C
1797D

LAYOUT OF HOLES
VIEWED FROM COMPONENT SIDE OF PWB



©2000 Bel Fuse Inc. Specifications subject to change without notice. 07.00

CORPORATE

Bel Fuse Inc.
198 Van Vorst Street
Jersey City, NJ 07302
Tel 201-432-0463
Fax 201-432-9542
www.belfuse.com

FAR EAST

Bel Fuse Ltd.
8F / 8 Luk Hop Street
San Po Kong
Kowloon, Hong Kong
Tel 852-2328-5515
Fax 852-2352-3706
www.belfuse.com

EUROPE

Bel Fuse Europe Ltd.
Preston Technology Management Centre
Marsh Lane, Suite G7, Preston
Lancashire, PR1 8UD, U.K.
Tel 44-1772-556601
Fax 44-1772-888366
www.belfuse.com