

INTEGRATED CONNECTOR MODULES

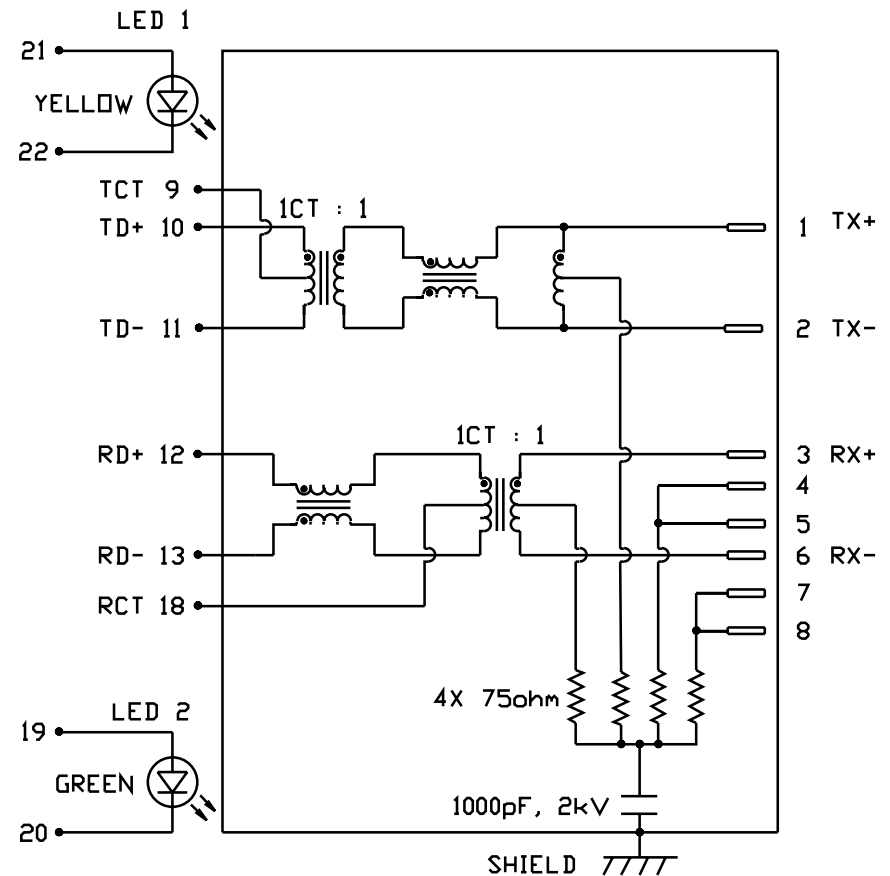
0892-1DX1-60 10/100Base-TX Single Port MagJack® with LEDs

LED1 POLARITY			LED2 POLARITY		
PIN 21	PIN 22	COLOR	PIN 19	PIN 20	COLOR
+	-	YELLOW	+	-	GREEN

ELECTRICAL CHARACTERISTICS @ 25°C

URNS RATIO	
TX	ICT : 1
RX	ICT : 1
DCL @ 100kHz/100mVRMS	
8mA DC BIAS	350µH MIN.
INS. LOSS	
1MHz TO 100MHz	-1.0 dB MAX
RET. LOSS (MIN)	
1MHz-30MHz	-18 dB
30MHz-60MHz	-18+20LOG(F/30MHz) dB
60MHz-80MHz	-12 dB
CROSS TALK (TX - RX)	
100kHz-100MHz	-35 dB MIN
CM TO CM REJ	
100kHz-100MHz	-30 dB MIN
CM TO DM REJ	
100kHz-100MHz	-35 dB MIN
HIPOT (Isolation Voltage):	
	1500 Vrms
LED 1	
V _F (FORWARD VOLTAGE)	IF=20mA YELLOW 2.1V TYP.
λ _D (DOMINANT WAVELENGTH)	IF=20mA YELLOW 590nm TYP.
LED 2	
V _F (FORWARD VOLTAGE)	IF=20mA GREEN 2.2V TYP.
λ _D (DOMINANT WAVELENGTH)	IF=20mA GREEN 565nm TYP.
USB ELECTRICAL:	
INSULATION RESISTANCE: 1000 MEG Ω (MIN)	
CONTACT RESISTANCE: 25 MILLI Ω (MAX)	
DIELECTRIC WITHSTANDING: 750 VAC	

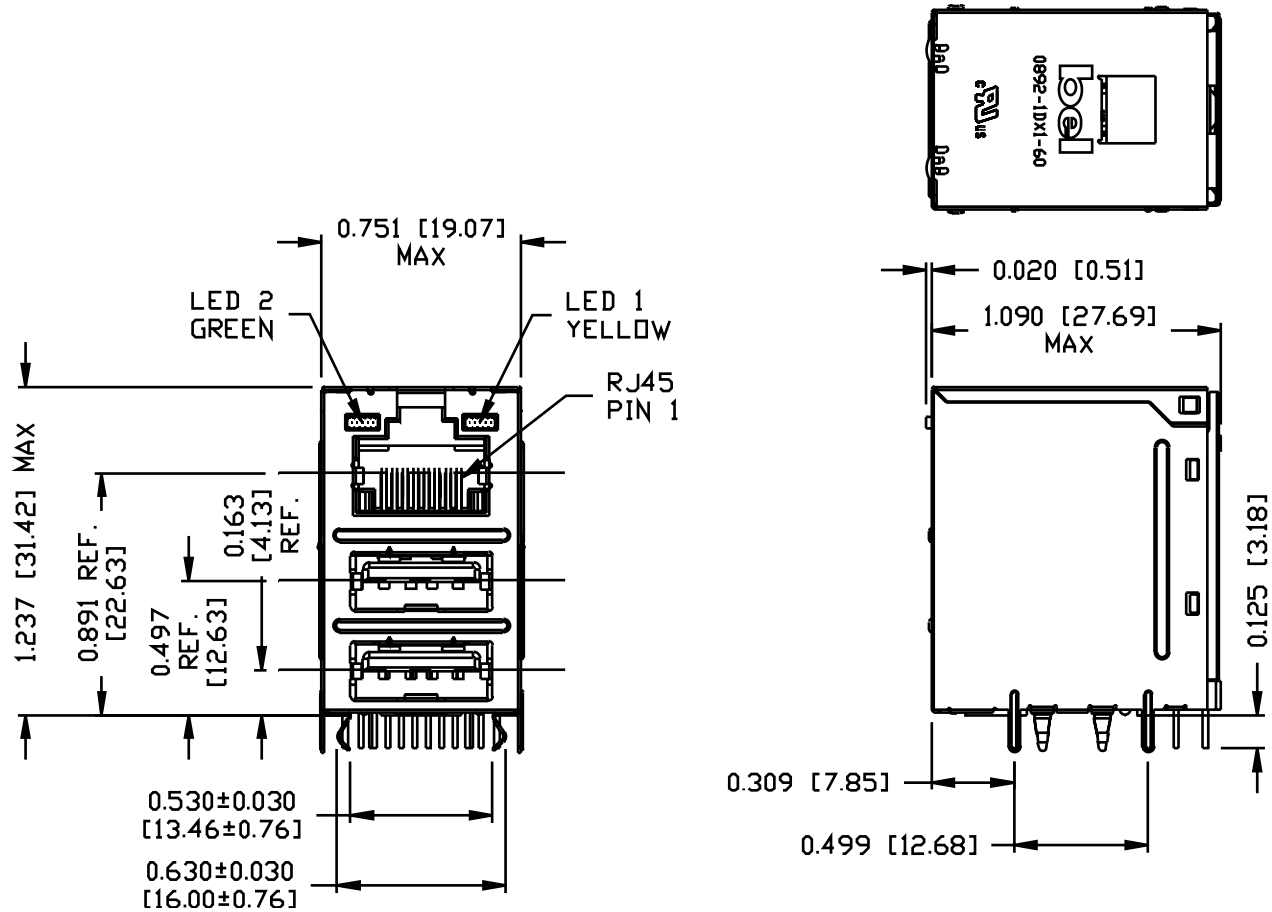
SCHEMATIC



INTEGRATED CONNECTOR MODULES

0892-1DX1-60 10/100Base-TX Single Port MagJack® with LEDs

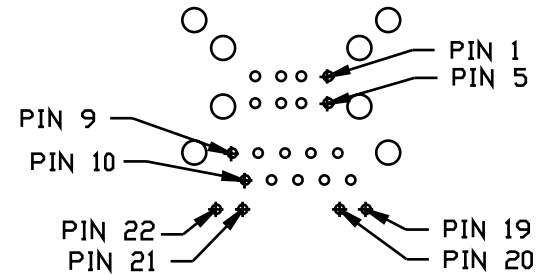
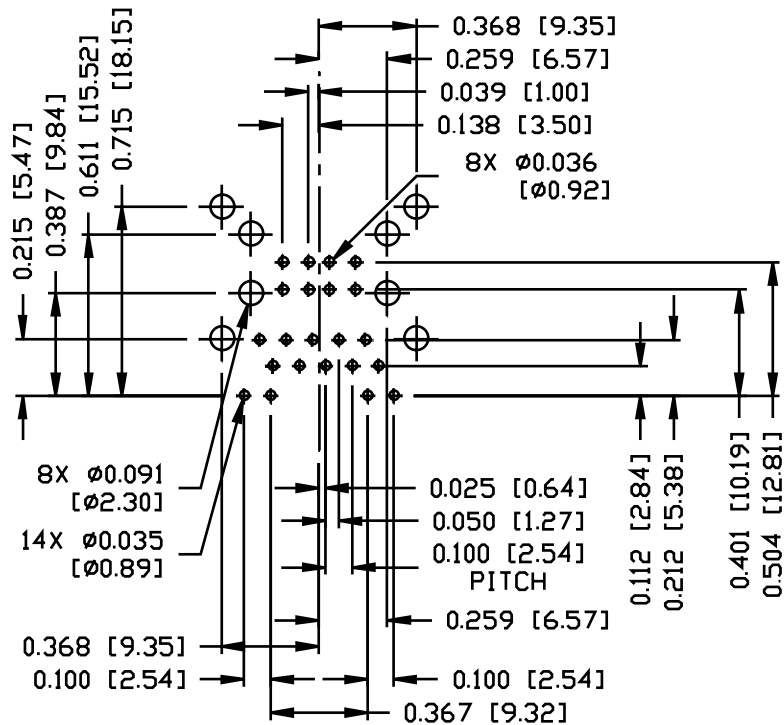
MECHANICAL SPECIFICATION



INTEGRATED CONNECTOR MODULES

0892-1DX1-60 10/100Base-TX Single Port MagJack® with LEDs

Recommended PCB footprint
Component Side



RJ45 MECHANICAL:

PLASTIC HOUSING:

CONTACTS PLATING:

PINS:

SOLDERABILITY:

METAL SHIELD:

USB MECHANICAL:

MATING FORCE:

UNMATING FORCE:

CONTACTS PLATING:

THERMOPLASTIC PBT

FLAMMABILITY RATING UL 94V-0

30 MICRO-INCH HARD GOLD PLATING

TIN-COATED COPPER WIRE, DIA 0.018 INCH.

PER MIL STD. 202, METHOD 208.

TIN/LEAD PLATED ON COPPER ALLOY,

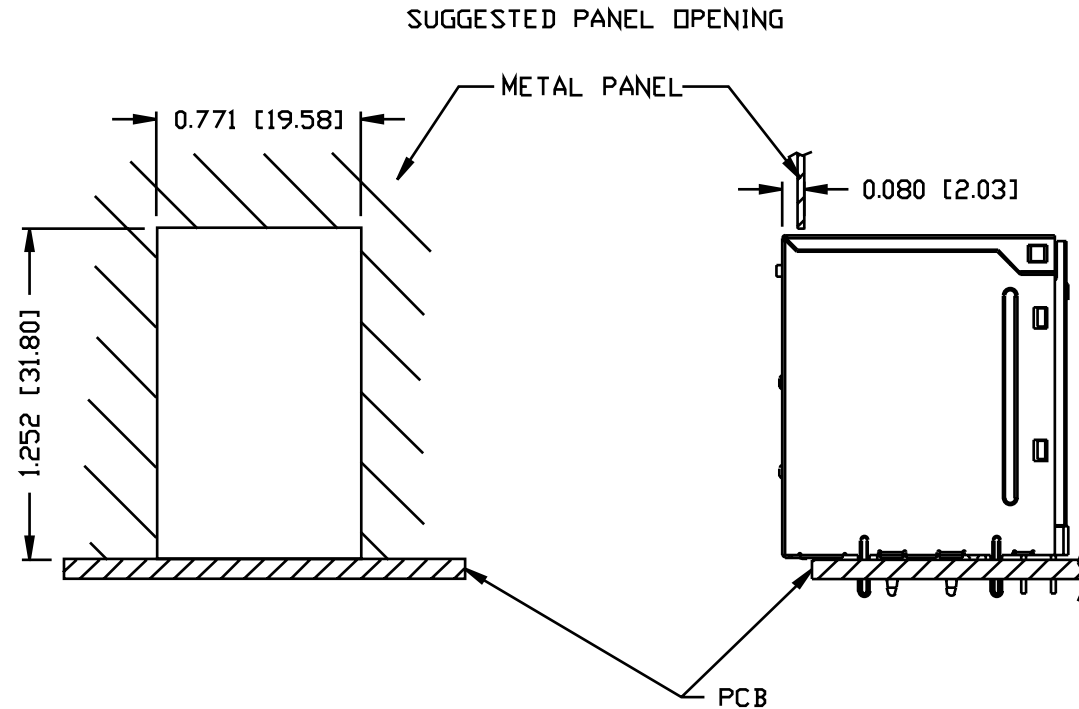
35 NEWTONS MAXIMUM

10 NEWTONS MINIMUM

PROSPER BRONZE, GOLD PLATING ON CONTACT AREA AND TIN ON SOLDER TAIL.

UL RECOGNIZED - FILE #E196366 AND E169987.

INTEGRATED CONNECTOR MODULES
0892-1DX1-60 10/100Base-TX Single Port MagJack® with LEDs



NOTE:

THE DISTANCE OF PANEL INSIDE SURFACE RELATIVE TO FRONT SURFACE OF PART IS ONLY A SUGGESTION. IN CASE THIS DISTANCE IS DIFFERENT, THE REQUIRED PANEL OPENING DIMENSIONS CHANGE ACCORDINGLY.

PACKING INFORMATION

PACKING TRAY : 0200-0148-41 (BOTTOM)
 0200-0148-42 (TOP)

PACKING QUANTITY : 35 PCS FINISHED GOODS PER TRAY
 10 TRAY (350 PCS FINISHED GOODS) PER CARTON BOX

NOTE : CARDBOARDS ARE PLACED BETWEEN LAYERS OF PACKING TRAY INSIDE CARTON BOX
 (INCLUDE THE UPPERMOST AND LOWERMOST TRAY)