

ST1939N

(Previously STN2449)

Pull Type Tubular Solenoid

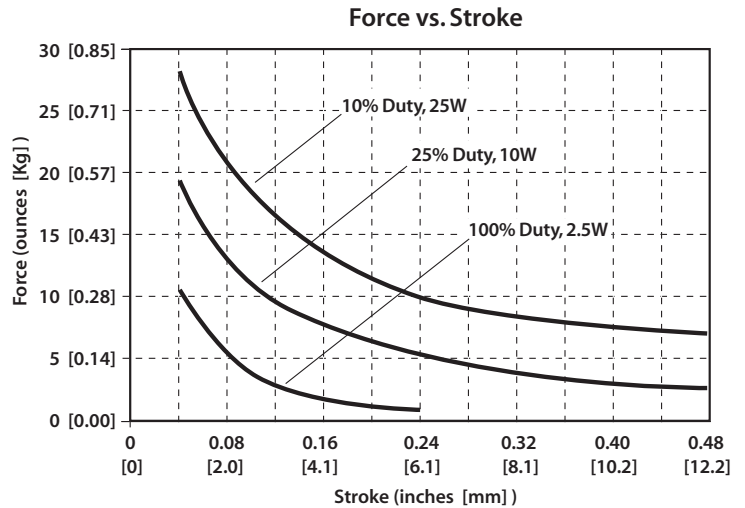
0.75" Dia. × 1.54" L
(19.1mm × 39.1mm)



Specifications:

- Operation: Pull
- Insulation: Class "A" (105°C) standard*
- Coil Termination: 24 AWG flying leads per drawing*
- Plunger linkage: Slot and Cross Drilled*
- Plunger pole face: 60° conical*
- Solenoid weight: 2.2oz [62g]
- Plunger weight: 0.50oz [13g]
- Dielectric Strength: 1000VAC for one minute
- Operating temperature range: -20°C to 40°C

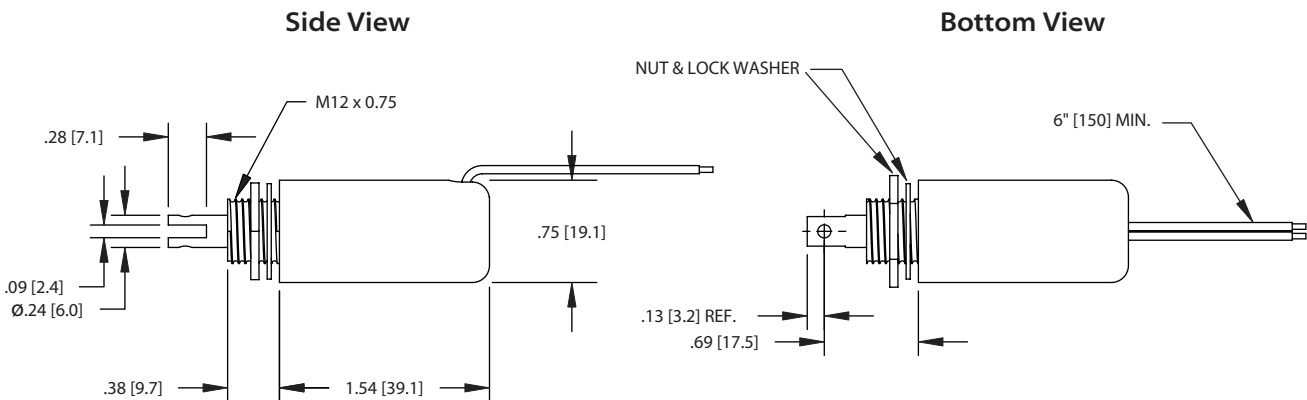
*Other options available upon request



Coil Data:

Voltage (VDC)	100% Duty — 2.5W		25% Duty — 10W		10% Duty — 25W	
	Resistance (Ω)	Part Number	Resistance (Ω)	Part Number	Resistance (Ω)	Part Number
3	3.6	ST1939N0300	0.9	ST1939N0325	0.36	ST1939N0310
6	14.4	ST1939N0600	3.6	ST1939N0625	1.44	ST1939N0610
12	57.6	ST1939N1200	14.4	ST1939N1225	5.8	ST1939N1210
24	230	ST1939N2400	57.6	ST1939N2425	23	ST1939N2410

Typical force @20°C and nominal rated DC voltage. Resistance values ±10% @20°C. All data subject to change. Other voltages and duty cycles available upon request.



Notes: Solenoid shown in energized position. Dimensions listed are for reference only. Dimensions shown in inches and [mm].