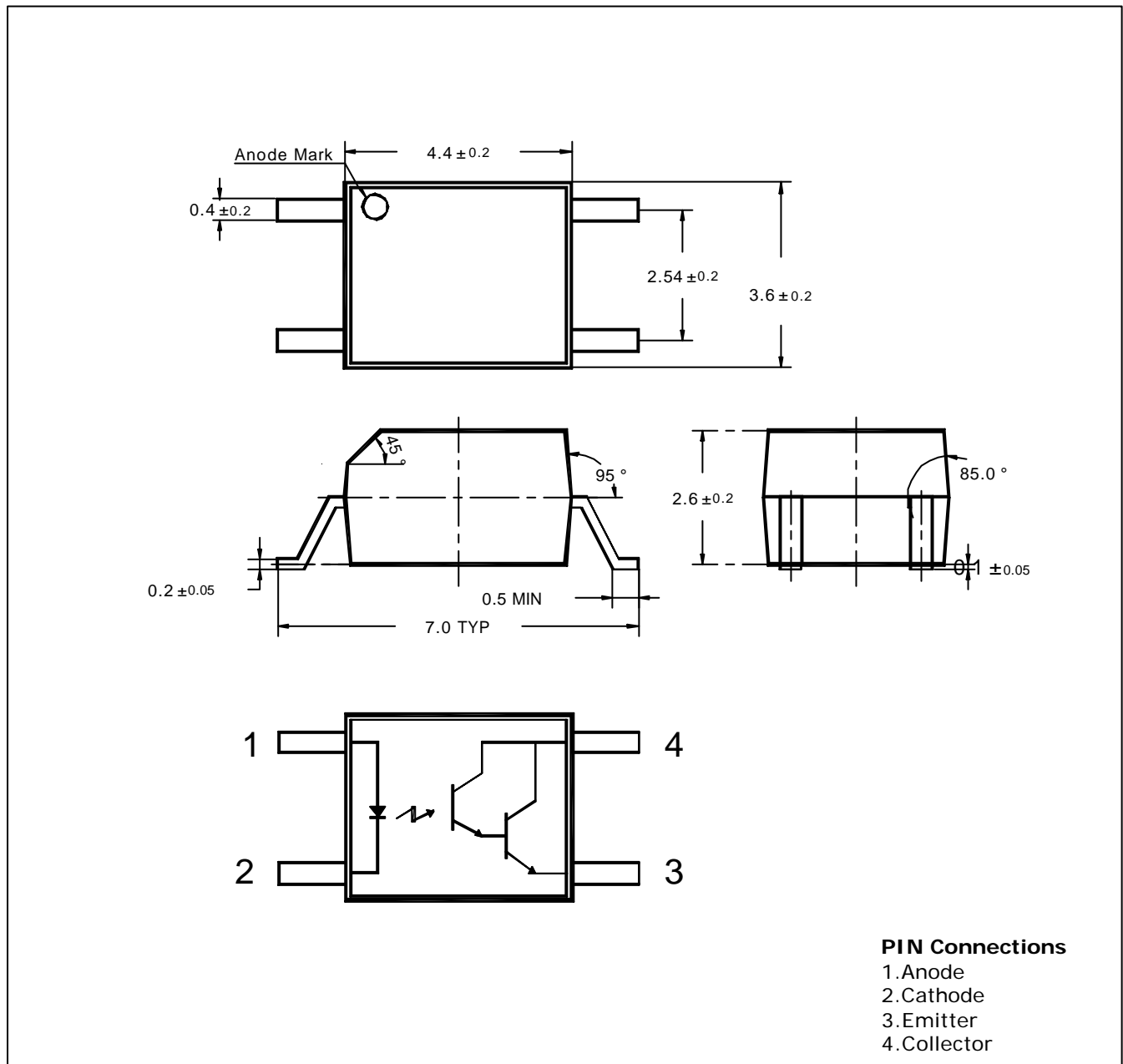


Features

- Office machine
 - AC/DC input module
 - Telecommunication
 - Programmable controller
 - Power supply
-
- UL recognized file No. E192807

Outline Dimensions

unit : mm



PIN Connections
 1. Anode
 2. Cathode
 3. Emitter
 4. Collector

Absolute maximum ratings

(Ta=25)

Characteristic		Symbol	Ratings	Unit
IRED	Continuous Forward Current	I_F	50	mA
	Reverse Voltage	V_R	5	V
	Power Dissipation	P_D	70	mW
Detector	Collector-Emitter Voltage	V_{CEO}	35	V
	Emitter-Collector Voltage	V_{ECO}	6	V
	Collector Current	I_C	50	mA
	Power Dissipation	P_D	150	mW
Coupler	Operating Temperature	T_{opr}	-30~100	
	Storage Temperature	T_{stg}	-55~125	
	Soldering Temperature	T_{sol}	260 within 10 seconds	
	*1Isolation Voltage	V_{iso}	3,750	V_{rms}

*1.Measured at RH = 40 ~60% for 1 min

Electrical Characteristics

Parameter		Symbol	Test Condition	Min.	Typ.	Max.	Unit
IRED	Forward Current	V_F	$I_F=10mA$	-	1.15	1.3	V
	Reverse Current	I_R	$V_R=5V$	-	-	10	uA
	Capacitance	C_T	$V=0V, f=1MHz$	-	30	-	pF
Detector	Collector-Emitter Breakdown Voltage	BV_{CEO}	$I_C=0.5mA$	35	-	-	V
	Emitter-Collector Breakdown Voltage	BV_{ECO}	$I_E=10uA$	6	-	-	V
	Collector Dark Current	I_{CEO}	$I_F=0mA, V_{CE}=10V$	-	-	100	nA
	Capacitance	C_{CE}	$V_{CE}=0, f=1MHz$	-	10	-	pF
Coupler	Current Transfer Ratio	CTR	$I_F=1mA, V_{CE}=2V$	600	1600	-	%
	Collector-Emitter Saturation Voltage	$V_{CE(sat)}$	$I_F=20mA, I_C=5mA$	-	0.6	0.9	V
	Input-Output Capacitance	C_{I-O}	$V=0V, f=1MHz$	-	0.8	-	pF
Switching Time	Rise Time	t_r	$V_{CC}=5V, R_L=100\Omega$ $I_C=2mA$	-	60	300	usec
	Fall Time	t_f		-	60	250	

Characteristic Diagrams

Fig. 1 $I_F - V_F$

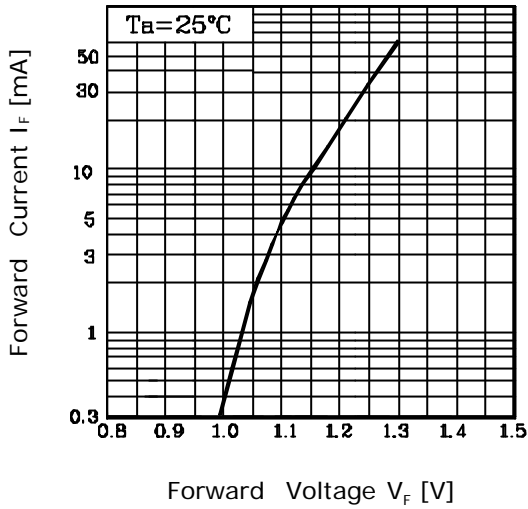


Fig. 2 CTR - I_F

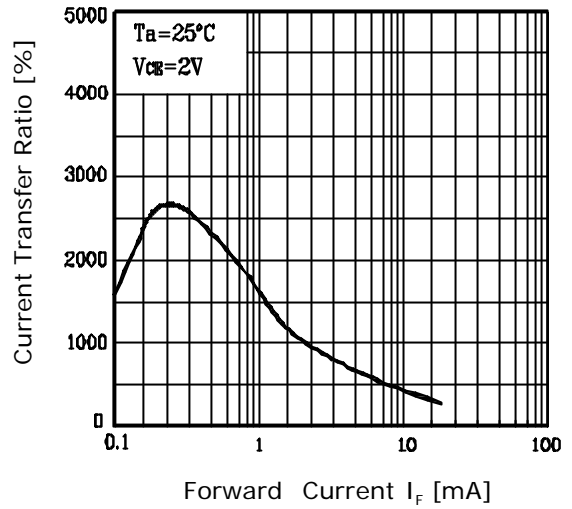


Fig. 3 $I_F - T_a$

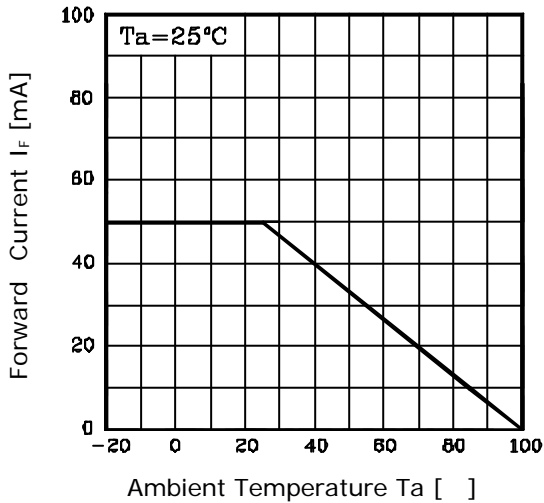


Fig. 4 $P_D - T_a$

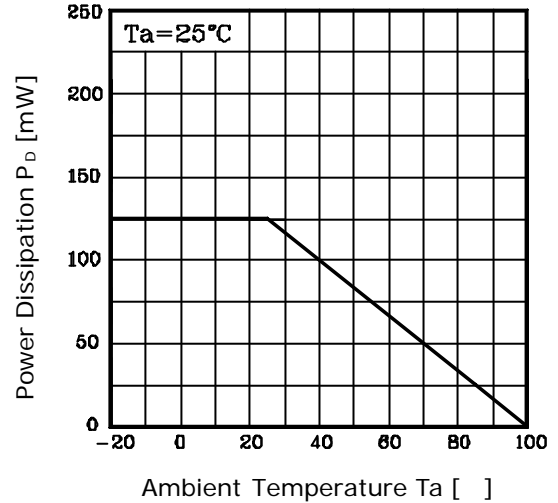


Fig. 5 $I_{CE0} - T_a$

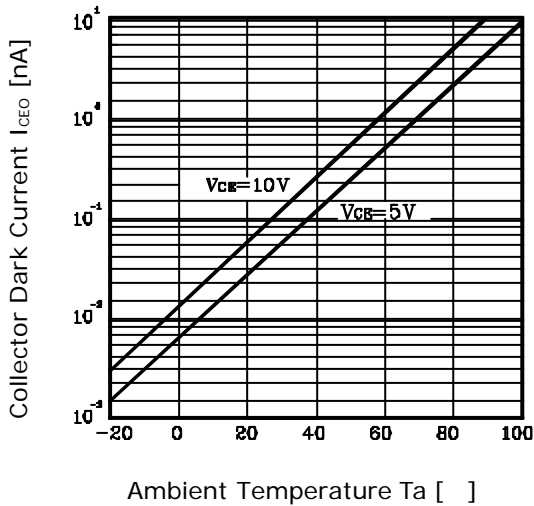


Fig. 5 $I_r - T_a$

