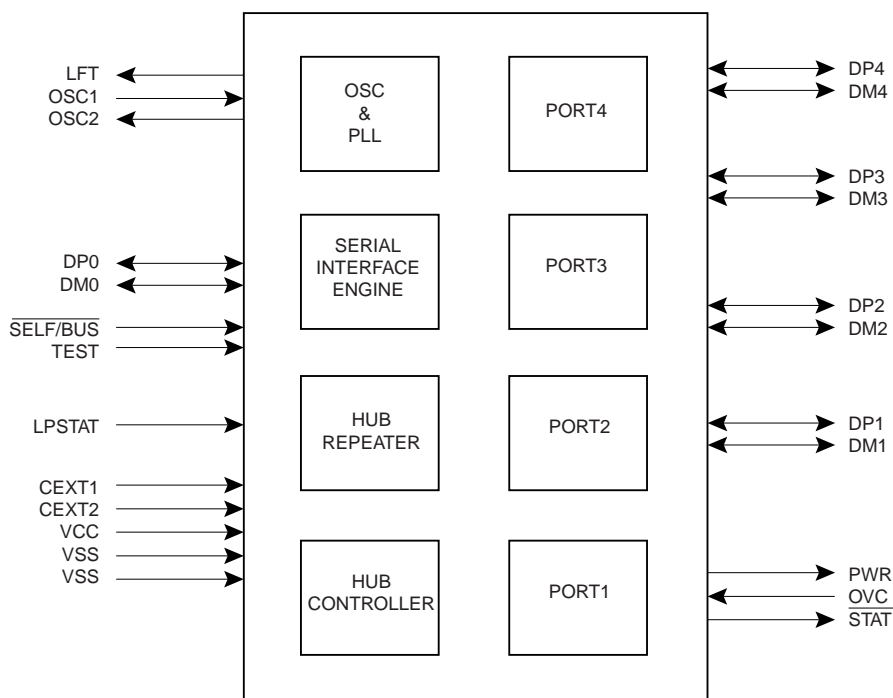


# AT43301 Low Cost

# USB HUB CONTROLLER

- Bus or Self Powered USB Hub Operation
- Bus Powered Controller in the Self Powered Mode
- One Upstream Port Plus Four Downstream Ports
- Integrated Hub Protocol Controller
- Global Over-Current Sensing
- Ganged Port Power Switching
- 6 MHz Oscillator with PLL
- On Chip 3.3V Voltage Regulator
- 24-Pin SOIC





**USB Hub  
Product Group**

**Atmel Rousset**  
Zone Industrielle  
13106 Rousset Cedex  
France  
Tel: (+33)(0)4 42 53 60 00  
Fax: (+33)(0)4 42 53 60 01

**Headquarters**

**Corporate Headquarters**  
2325 Orchard Parkway  
San Jose, CA 95131  
USA  
Tel: (+1)(408) 441 0311  
Fax: (+1)(408) 436 4300

**Europe**  
Atmel U.K. Ltd  
Coliseum Business Centre  
Riverside Way, Camberley  
Surrey GU15 3YL, England  
Tel: (+44)(0)(1276) 68 66 77  
Fax: (+44)(0)(1276) 68 66 97

**Asia**  
Atmel Asia Ltd  
Room 1219  
Chinachem Golden Plaza  
77 Mody Road  
Tsimshatsui East, Kowloon  
Hong Kong  
Tel: (+852) 272 19 778  
Fax: (+852) 272 21 369

**Japan**  
Atmel Japan KK  
Tonetsu Shinkawa Bldg. 9F  
1-24-8 Shinkawa  
Chuo-Ku, Tokyo 104-0033  
Japan  
Tel: (+81) 3 3523 3551  
Fax: (+81) 3 3523 7581

**E-mail**  
literature@atmel.com

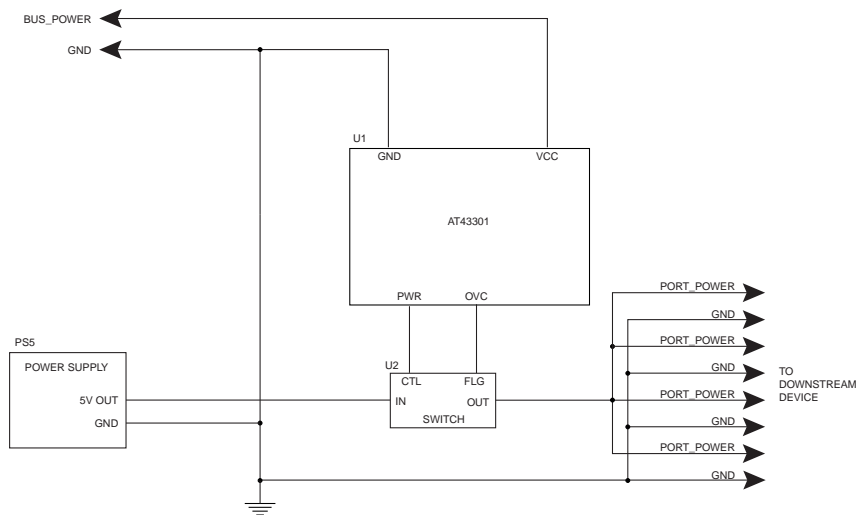
**Web Site**  
<http://www.atmel.com>

Copyright Atmel Corporation 1998

Terms and product names may be trademarks of others.  
All figures in this brochure are for illustrative purposes only.  
See Atmel Databooks for definitive figures.  
03/98 - 1060A

The Atmel AT43301 USB Hub Controller is designed for use in very, low cost self powered or bus powered USB hubs. Application for such hubs are as a standalone hub for use with portable/notebook PCs, as well as an embedded hub in peripherals such as keyboards. The AT43301 supports one upstream port and four downstream ports. It handles all the hub protocols, thus off-loading the user from the details of the USB operations. The chip is USB Spec Rev 1.1 compliant and is available in a 24-pin SOIC Package.

**AT43301 in a Self Powered Hub**



**AT43301 in a Bus Powered Hub**

