

150 Watts BK60C-40

High Efficiency



Total Power: 150 Watts
Input Voltages: 48V
No. of Outputs: Single

Electrical Specs

Input

Input range 36-75 VDC
Input Surge 100V / 100ms
Efficiency 89% @ 3.3V (typ)

Output

Load regulation 10mV typical down to no load (output below 5V)
Line regulation 10mV typical (output below 5V)
Ripple and noise 200mV p-p max)
Remote sense Up to 0.5V
Output voltage adjust range $\pm 20\%$ of nominal output
Transient Response 10% max deviation with 25% to 75% full load (output 5V and above) 200mV
Overvoltage Protection 130% nominal output (output 5V and above) 160% nominal output (2.2V output) 140% nominal output (3.3V output)
Current Limit 115% maximum output

Control

Voltage Adjust 90 to 110%
Enable TTL compatible (positive & negative enable options)

Notes:

1. Nominal values apply with sense pins connected and other control pins unconnected.
2. Specifications subject to change without notice.

Special Features

- High efficiency, 5V@89%
- -40°C to 100°C baseplate operating temperature (no derating)
- Positive and Negative enable function
- Low output ripple and noise
- High capacitive load limit on start-up
- Remote sense compensation
- Regulation to zero load
- Fixed frequency switching (300 kHz)

Environmental

Operating temperature (baseplate): -40°C to +100°C

Storage temperature: -55°C to +105°C

Overtemperature protection: 110°C typical

MTBF: >1 million hours

Safety

UL UL 1950
CAN22.2-950

TUV EN60950

AMERICAS

5810 Van Allen Way
 Carlsbad, CA 92008
 Telephone: 760-930-4600
 Facsimile: 760-930-0698

EUROPE

Astec House, Waterfront Business Park
 Merry Hill, Dudley
 West Midlands, DY5 1LX, UK
 Telephone: 44 (1384) 842-211
 Facsimile: 44 (1384) 843-355

ASIA

Units 2111-2116, Level 21
 Tower1, Metroplaza
 223, Hing Fong Road
 Fwai Fong, New Territories
 Hong Kong
 Telephone: 852-2437-9662
 Facsimile: 852-2402-4426



BK60C-40

Ordering Information

Input Voltage	Output Voltage	Efficiency	Model Number
48V	1.8V @ 40A	81% min	BK60C-048L-018F40H
48V	2.5V @ 40A	84% min	BK60C-048L-025F40H
48V	3.3V @ 40A	86% min	BK60C-048L-033F40H

NOTES:

Efficiency is measured at full load and Tc=70 Deg C

"N" added to suffix = Negative Enable (Omit suffix for positive enable (default))

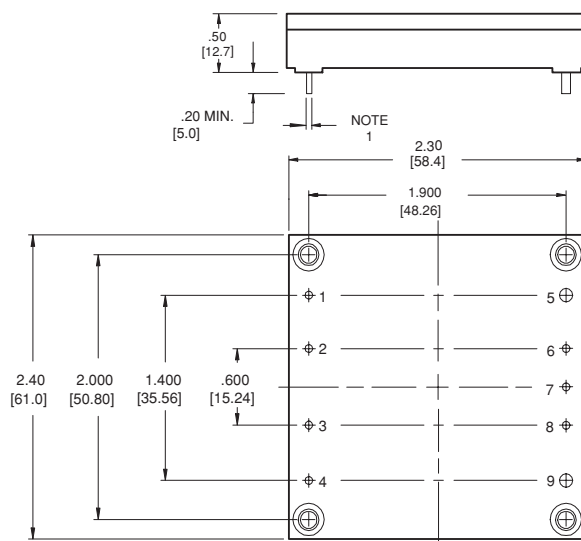
Pin Assignments

Single Output

1. -Vin
2. Case
3. Enable (on/off)
4. +Vin
5. -5V Rtn
6. - Sense
7. Trim
8. + Sense
9. +Out

Notes:

1. 20 mHz bandwidth. An external 2.2 mf ceramic capacitor is recommended to be placed from +V out to -V out.
2. Requires a 2.2 mf, 100V film capacitor connected between +V in and -V in to meet FCC class A and ETS300-386-1 requirements for conducted noise. Consult Factory for filtering information to meet FCC class B, VDE or EIC specifications.
3. All specifications are typical at nominal line, full load, and 25°C unless otherwise noted.
4. All specifications subject to change without notice. Mechanical drawings are for reference only.
5. Please refer to the Technical Reference Notes for more information.
6. Warranty: 1 yr



Mounting Inserts
 M3 X .5 (4 places)

Case Material: Metal base, plastic cover
 Weight: 2.75 Oz / 78 Grams

Astec Industry Standard