

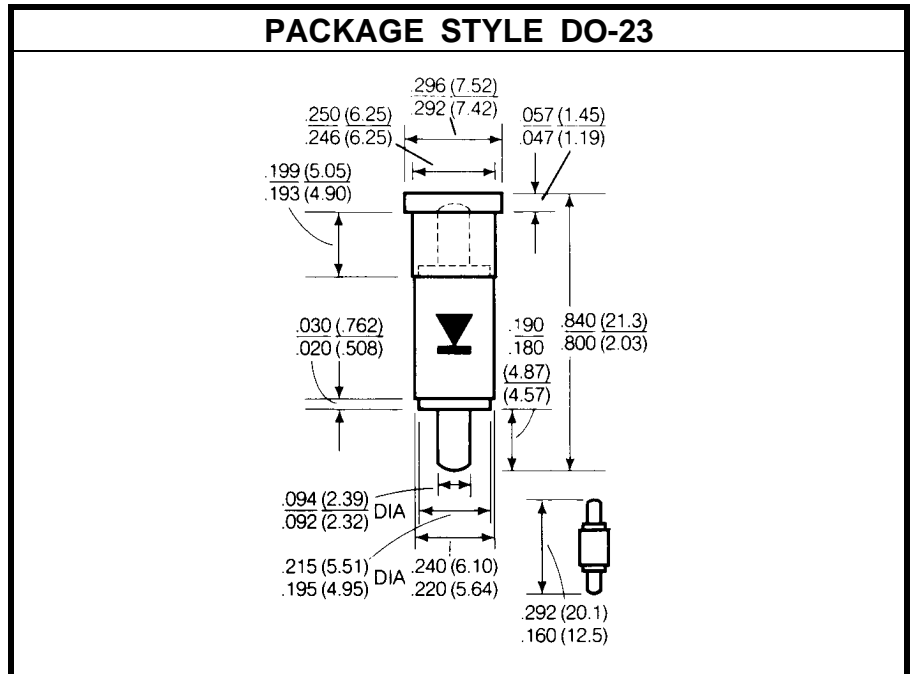
SILICON SCHOTTKY BARRIER MIXER DIODE

DESCRIPTION:

The **D1504-8M** is a Matched Pair of Silicon Schottky Barrier Mixer Diodes.

MAXIMUM RATINGS

I	20 mA
V	3.0 V
P_{DISS}	300 mW/CW @ T _C = 25 °C
T_J	-55 °C to +150 °C
T_{STG}	-55 °C to +150 °C


CHARACTERISTICS T_C = 25 °C

SYMBOL	TEST CONDITIONS	MINIMUM	TYPICAL	MAXIMUM	UNITS
NF	P _{LO} = 1.0 mW N _{FIF} = 1.5 dB f = 9375 MHz			7.0	dB
C_L				5.5	dB
Z_{IF}	IF IMPEDANCE	250		450	Ohms
V_{SWR}				1.5	