

NEW Product

- **Designed to meet ultra fast transient requirements: 300 A/μs step load transients**
- **15 A Current rating**
- **Input voltage range: 10.8 Vdc to 13.2 Vdc**
- **Output voltage range: 1.0 Vdc to 1.8 Vdc**
- **Extremely low internal power dissipation**
- **Minimal thermal design concerns**
- **Ideal solution where board space is at a premium or tighter card pitch is required**
- **Industry standard surface-mount footprint**
- **Available RoHS compliant**



The SMT15F-12 series are non-isolated dc-dc converters packaged in a surface-mount footprint giving designers a cost effective solution for conversion from a 12 V source. The SMT15F-12 has an input range of 10.8 Vdc to 13.2 Vdc and offers an output voltage range from 1.0 Vdc to 1.8 Vdc with a 15 A load, which allows for maximum design flexibility and a pathway for future upgrades. The SMT15F-12 is designed for applications that include distributed power, workstations, optical network and wireless applications. Implemented using state of the art surface-mount technology and automated manufacturing techniques, the SMT15F-12 offers compact size and efficiencies of up to 88% at 1.8 Vout.



2 YEAR WARRANTY

All specifications are typical at nominal input, full load at 25 °C unless otherwise stated
 $C_{in} = 270 \mu F$, $C_{out} = 0 \mu F$

SPECIFICATIONS

OUTPUT SPECIFICATIONS

Voltage adjustability	(Trimmable)	±10%
Setpoint accuracy		±2.5% typ.
Line regulation		±1.0% typ.
Load regulation		±1.0% typ.
Total error band		±3.0% typ.
Minimum load		0 A
Overshoot/undershoot		None
Ripple and noise	5 Hz to 20 MHz	40 mV pk-pk 25 mV rms
Temperature co-efficient		±0.01%/°C
Transient response (1.2 Vout)	di/dt 200 A/μs (See Note 3)	7.5 A load step 50 mV max. deviation <10 μs recovery to within ±1.0%
Remote sense		10% Vo compensation

INPUT SPECIFICATIONS

Input voltage range		10.8 Vdc to 13.2 Vdc
Input current	No load	100 mA
Input current (max.)		2.0 A max. @ Io max. and Vout = 1.2 V
Input reflected ripple		100 mA rms
Remote ON/OFF		(See Note 1)
Start-up time		5 ms

EMC CHARACTERISTICS

Electrostatic discharge	EN61000-4-2, IEC801-2
Conducted immunity	EN61000-4-6
Radiated immunity	EN61000-4-3

GENERAL SPECIFICATIONS

Efficiency	Vin = 12 V, Vout = 1.8 V	88% typ.
Insulation voltage		Non-isolated
Switching frequency Vin = 12 V, Vout = 1.2 V	Variable	700 kHz typ.
Approvals and standards		EN60950 UL/cUL60950
Material flammability		UL94V-0
Dimensions	(LxWxH)	33.02 x 13.46 x 7.57 mm 1.3 x 0.53 x 0.298 inches
Weight		7 g (0.25 oz)
Coplanarity		100 μm
MTBF	Telcordia SR-332	16,529,000 hours

ENVIRONMENTAL SPECIFICATIONS

Thermal performance (See Figure 1)	Operating ambient, temperature Non-operating	-40 °C to +85 °C -40 °C to +125 °C
---------------------------------------	---	---------------------------------------

PROTECTION

Short-circuit	Continuous
Thermal	Automatic recovery

International Safety Standard Approvals



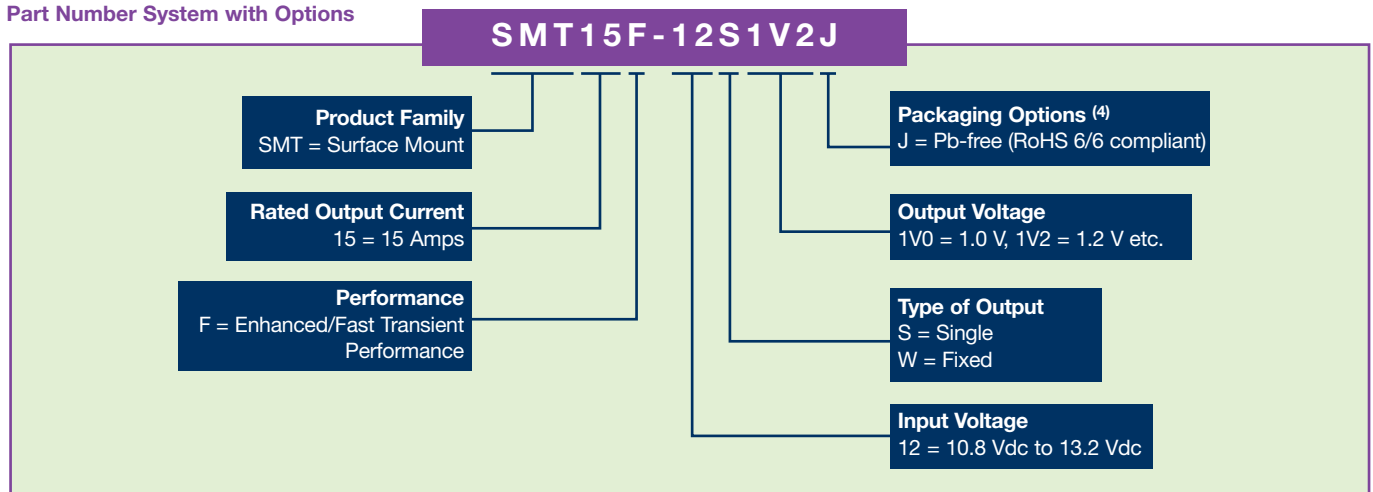
UL/cUL CAN/CSA 22.2 No. E174104
UL 60950 File No. E174104



TÜV Product Service (EN60950) Certificate No. B 04 04 38572 041
CB report and certificate to IEC60950 DE3-52484

OUTPUT POWER (MAX.)	INPUT VOLTAGE	OUTPUT VOLTAGE	OUTPUT CURRENT (MIN.)	OUTPUT CURRENT (MAX.)	EFFICIENCY (TYP.)	REGULATION		MODEL NUMBER ^(1,4,5)
						LINE	LOAD	
15.0 W	10.8-13.2 Vdc	1 Vdc	0 A	15 A	85%	±1.0%	±1.0%	SMT15F-12S1V0J
18.0 W	10.8-13.2 Vdc	1.2 Vdc	0 A	15 A	86%	±1.0%	±1.0%	SMT15F-12S1V2J
22.5 W	10.8-13.2 Vdc	1.5 Vdc	0 A	15 A	87%	±1.0%	±1.0%	SMT15F-12S1V5J
27.0 W	10.8-13.2 Vdc	1.8 Vdc	0 A	15 A	88%	±1.0%	±1.0%	SMT15F-12S1V8J

Part Number System with Options



Notes

1 The SMT15F-12 features an 'Active High' Remote ON/OFF operation. If not using the Remote ON/OFF pin, leave the pin open (the converter will be on). The Remote ON/OFF pin is referenced to ground.

The following conditions apply for the SMT15F-12:

Configuration	Converter Operation
Remote pin open circuit	Unit is ON
Remote pin pulled low	Unit is OFF
Remote pin pulled high	Unit is ON

An 'Active Low' Remote ON/OFF version is also possible with this converter. To order please place the Suffix 'R' towards the end of the part number, e.g. SMT15F-12S1V8RJ.

- 2 A 270 µF electrolytic input capacitor maybe required for test purposes only.
- 3 An external output capacitor is not required for basic operation. Adding distributed capacitance at the load will improve the transient response.
- 4 TSE RoHS 5/6 (non Pb-free) compliant versions may be available on special request, please contact your local sales representative for details.
- 5 NOTICE: Some models do not support all options. Please contact your local Artesyn representative or use the on-line model number search tool at <http://www.artesyn.com/powergroup/products.htm> to find a suitable alternative.

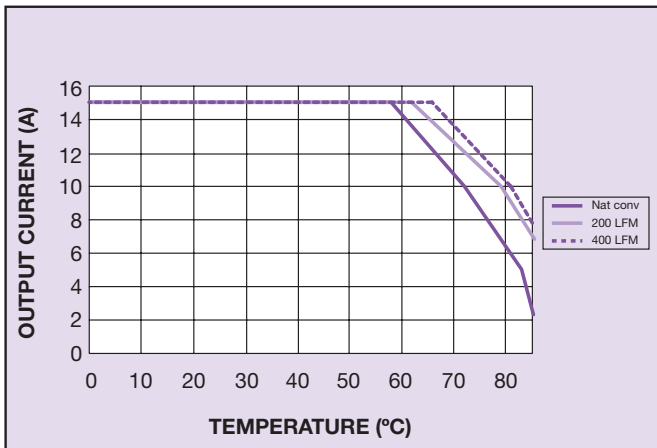


Figure 1 - Derating Curve
Vin = 12 V, Output Voltage = 1.2 V (See Note A)

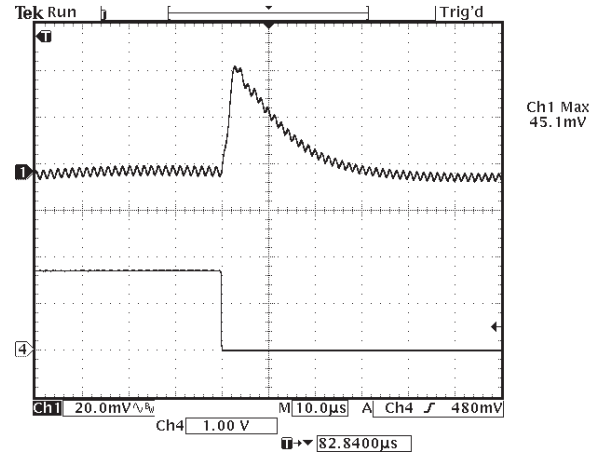


Figure 2 - Typical Transient Response,
(Vin = 12 V, Output Current = 1.2 V),
7.5 A Load Step Change; Slew Rate = 200 A/µs
Channel 1: Voltage Deviation = 45 mV; Recovery Time = 10 µs

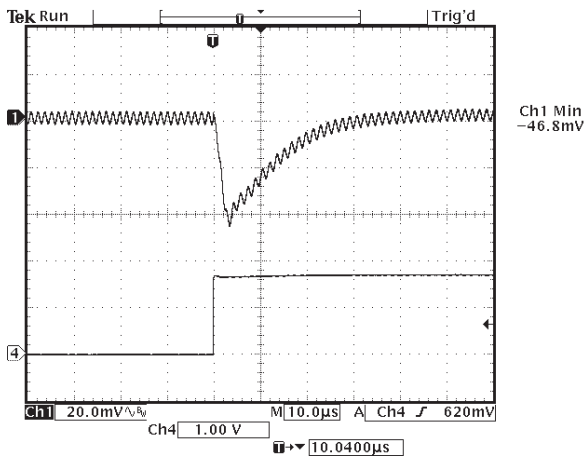


Figure 3 - Typical Transient Response,
(Vin = 12 V, Output Current = 1.2 V),
7.5 A Load Step Change; Slew Rate = 200 A/µs
Channel 1: Voltage Deviation = 46.8 mV; Recovery Time = 10 µs

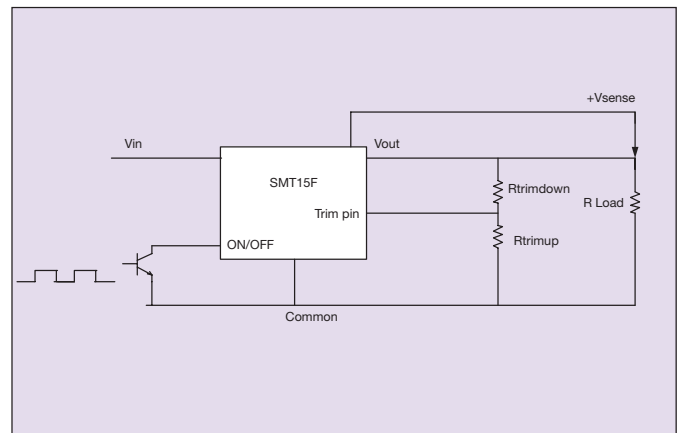
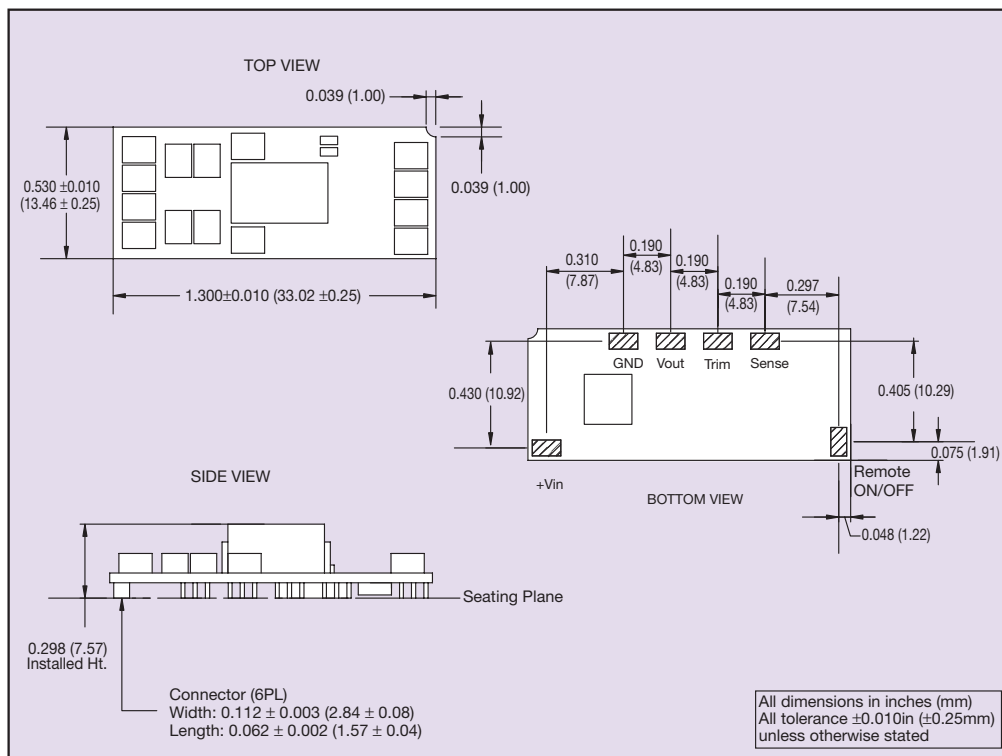


Figure 4 - Standard Application

Notes

A The derating curve represents the conditions at which internal components are within the Artesyn derating guidelines.



PIN CONNECTIONS	
PIN NUMBER	FUNCTION
1	+Vin
2	GND
3	+Vout
4	Trim
5	+Vsense
6	Remote ON/OFF

Figure 5 - Mechanical Drawing and Pinout Table