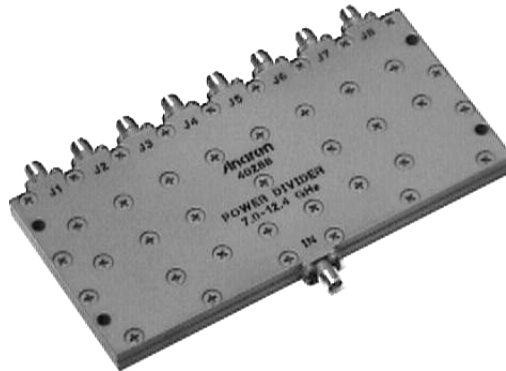


### Power Dividers 8-Way

#### Applications

- Phased Arrays
- Antenna Feed Networks
- Image Reject Mixers
- Test Systems
- LO Power Dividers



#### Features

- Military Grade
- 8-Way Power Split
- In-phase
- Connectors Per MIL-C-39012
- Rugged Aluminum Housing
- Low VSWR

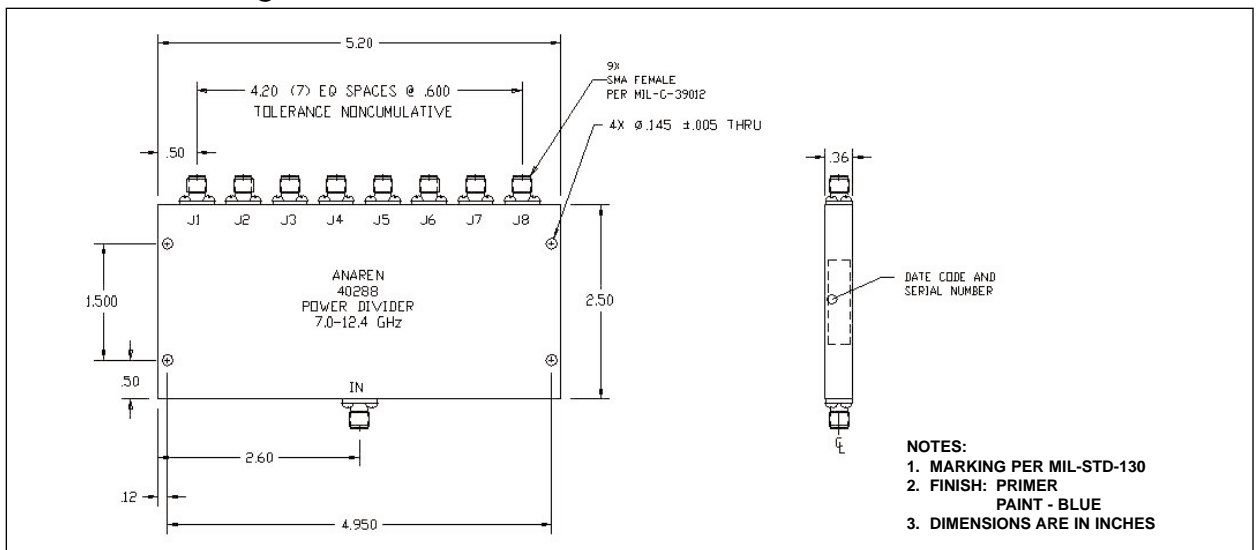
#### Electrical Specifications

Frequency GHz	Isolation dB Min	Insert. Loss dB Max	VSWR Max In/MaxOut:1
7.0 - 12.4	15	2.00	2.00/2.00
Amp. Bal. dB Max	Phase Bal. Degrees Max	Connector	Power Ave. CW Watts
1.00	16	SMA	25

Notes:\*Input power with load VSWR of 1.20:1. Impedance: 50 ohms nominal. Meets MIL-E-5400 Class II requirements. Additional screening available for military and space applications.

**Electrical and Mechanical Specifications subject to change without notice.**

#### Outline Drawing



Sales Desk USA: Voice: (800) 544-2414 Fax: (315) 432-9121  
Sales Desk Europe: Voice: (+44) 23 92 232392 Fax: (+44) 23 92 251369