

General Description

The AAT4625 SmartSwitch™ is part of AnalogicTech's Application Specific Power MOSFET™ (ASPM™) product family. It is a 1.0A Current Limited P-channel, MOSFET power switch designed for high-side load-switching applications. This switch operates with inputs ranging from 2.7V to 5.5V, making it ideal for both 3V and 5V systems. An integrated current-limiting circuit protects the input supply against large changes in load current which may cause the supply to fall out of regulation. The AAT4625 is also protected from thermal overload which limits power dissipation and junction temperatures. The current limit threshold is factory programmed at 1.5A, with a maximum of 2.0A. The quiescent supply current is typically a low 16μA. In shutdown mode, the supply current decreases to less than 1μA.

The AAT4625 is available in 8 pin SOP or TSSOP and is specified over a -40 to 85°C temperature range.

The AAT4600 Series is a family of adjustable and fixed SmartSwitch™ products with a range of current handling capabilities. Single versions with adjustable current limit (AAT4601) or fixed current limit (AAT4625) as well as dual versions with fixed current limit (AAT4626) are available.

Features

- Compliant with USB 1.1 and 2.0 specifications
- 2.7V to 5.5V Input voltage range
- 1.0A minimum continuous current
- 2.0A maximum current limit
- 60mΩ typical $R_{DS(ON)}$
- Low quiescent current
 - Typically 16μA
 - 1μA max with Switch off
- Thermal shutdown
- Fault flag with 10ms blanking
- Undervoltage Lockout
- Temp range -40 to 85°C
- UL Approved—File No. E217765
- 8 pin SOP or TSSOP package

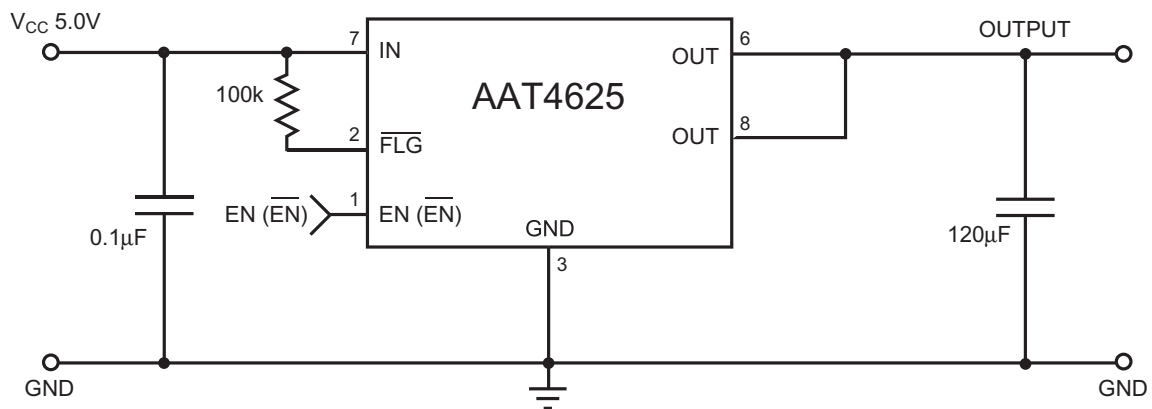
Applications

- USB ports and peripherals
- Notebook computers
- Hot swap supplies
- General purpose power switching



UL Recognized Component

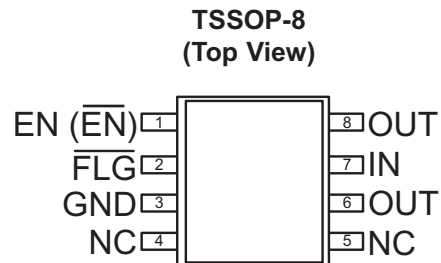
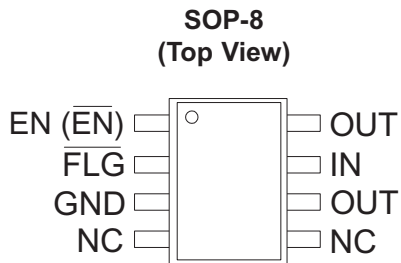
Typical Application



Pin Descriptions

Pin #	Symbol	Function
1	EN (\overline{EN})	Enable Input: Logic-compatible enable input. High input > 2.1V typical. Low input < 1.9V typical. Active high or active low option available; see Ordering Information for details.
2	\overline{FLG}	Fault Flag Output: Active-low, open-drain output. Indicates over current, UVLO and thermal shutdown.
3	GND	Ground connection
4,5	NC	Not internally connected.
6,8	OUT	Switch Output: These pins are the P-channel MOSFET drain connection.
7	IN	Supply Input: This pin is the P-channel MOSFET source connection. Also supplies the IC's internal circuitry.

Pin Configuration



Absolute Maximum Ratings ($T_A=25^\circ\text{C}$ unless otherwise noted)

Symbol	Description	Value	Units
V_{IN}	IN to GND	-0.3 to 6	V
V_{FLG}	FLG to GND	-0.3 to 6	V
I_{FLG}	FLG Current	50	mA
V_{OUT}	OUT to GND	-0.3 to $V_{IN}+0.3$	V
I_{OUT}	Output Current (Internally Limited)	2.0	A
V_{EN}	EN to GND	-0.3 to 6	V
T_S	Storage Temperature	150	$^\circ\text{C}$
T_{LEAD}	Maximum Soldering Temperature (at Leads)	300	$^\circ\text{C}$

Note: Stresses above those listed in Absolute Maximum Ratings may cause permanent damage to the device. Functional operation at conditions other than the operating conditions specified is not implied. Only one Absolute Maximum rating should be applied at any one time.

Thermal Information

Symbol	Description	Value	Units
Θ_{JA}	Maximum Thermal Resistance (SOP-8) ¹	100	$^\circ\text{C}/\text{W}$
P_D	Maximum Power Dissipation (SOP-8) ¹	1.25	W

Note 1: Mounted on an FR4 printed circuit board.

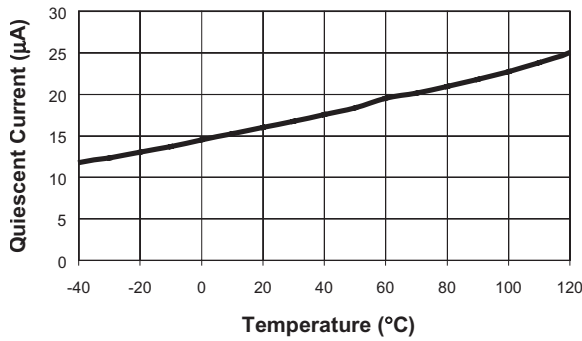
Electrical Characteristics ($V_{IN} = 5\text{V}$, $T_A = -40$ to 85°C unless otherwise noted. Typical values are at $T_A=25^\circ\text{C}$; **bold** values designate full temperature range)

Symbol	Description	Conditions	Min	Typ	Max	Units
V_{IN}	Operation Voltage		2.7		5.5	V
I_Q	Quiescent Current	$V_{IN}=5\text{V}$, EN=active		16	30	μA
$I_{Q(OFF)}$	Off Supply Current	$V_{IN}=5.5\text{V}$, EN ($\overline{\text{EN}}$)=inactive			1	μA
$V_{EN-THRSH}$	Enable Input Threshold	Low-to-high transition			2.4	V
		High-to-low transition	0.8			V
I_{EN}	Enable Input Current	$V_{EN} = 0\text{V}$ to 5.5V		0.01	1	μA
C_{EN}	Enable Input Capacitance			1		pF
$R_{ds(ON)}$	On-Resistance	$V_{IN} = 5\text{V}$, $T_A = 25^\circ\text{C}$		60	100	m Ω
		$V_{IN} = 3.0\text{V}$, $T_A = 25^\circ\text{C}$		70	115	m Ω
T_{ON}	Output Turn-On Delay	$V_{IN} = 5\text{V}$, $R_L = 10\Omega$		0.25		ms
$T_{ON-RISE}$	Output Turn-On Rise Time	$V_{IN} = 5\text{V}$, $R_L = 10\Omega$		0.2		ms
T_{OFF}	Output Turn-Off Delay	$V_{IN} = 5\text{V}$, $R_L = 10\Omega$		5	20	μs
$T_{OFF-FALL}$	Output Turn-Off Fall Time	$V_{IN} = 5\text{V}$, $R_L = 10\Omega$			20	μs
$I_{SD(OFF)}$	Output Leakage Current	EN=inactive, $V_{IN}=5.5\text{V}$, $V_{OUT}=0\text{V}$		0.03	15	μA
I_{LIMIT}	Current Limit Threshold	ramped load applied to enable output, $V_{OUT} < 4.0\text{V}$	1.0	1.5	2.0	A
OTMP	Over Temperature Shut Down	T_J increasing		125		$^\circ\text{C}$
		T_J decreasing		115		$^\circ\text{C}$
R_{FLG}	Error Flag Output Resistance	$V_{IN} = 5\text{V}$, $I_L = 1\text{mA}$		30		Ω
I_{SINK}	Error Flag Off Current	$V_{FLG} = 5.5\text{V}$		0.05	1	μA
V_{UVLO}	Under voltage Lockout	$V_{IN} =$ increasing, 1% hysteresis	2.0	2.3	2.7	V
T_{BLANK}	FAULT blanking			10		ms

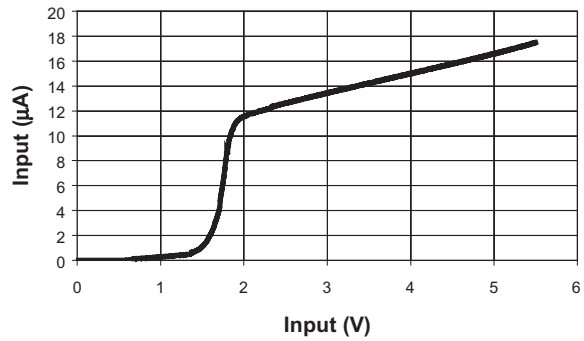
Typical Characteristics

(Unless otherwise noted, $V_{IN} = 5V$, $T_A = 25^\circ C$)

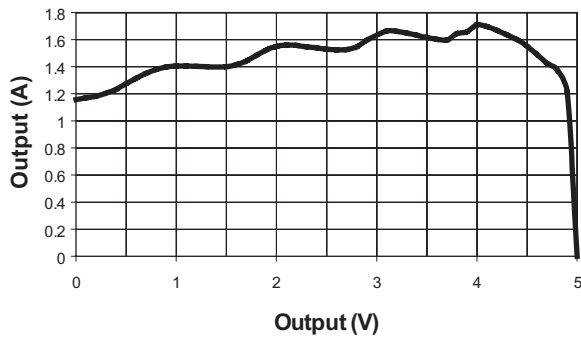
Quiescent Current vs. Temperature



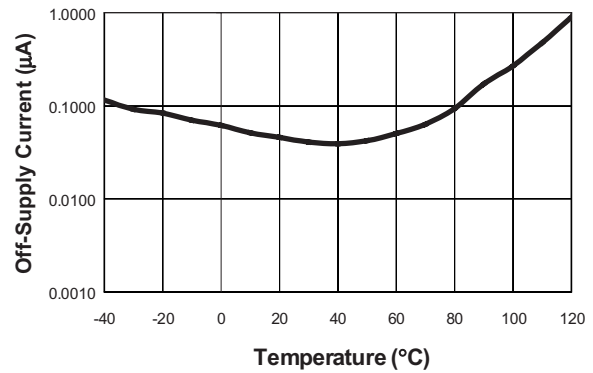
Quiescent Current



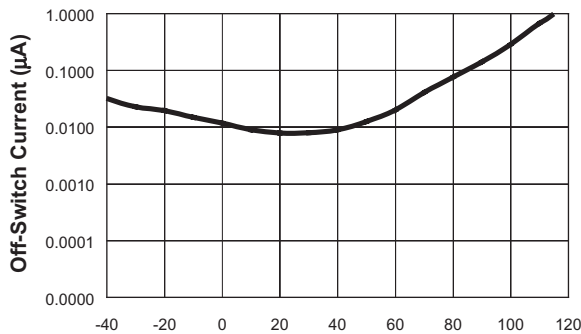
Current Limit



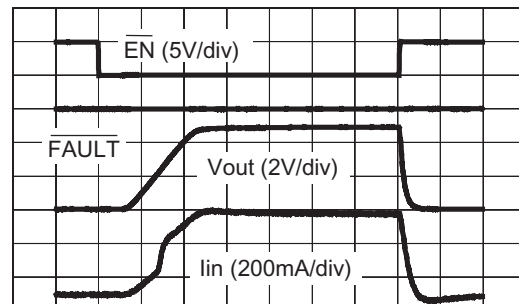
Off-Supply Current vs. Temperature



Off-Switch Current vs. Temperature

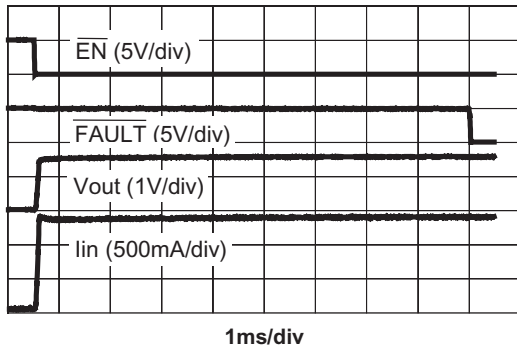


Turn-ON/OFF Response with 10 Ohm 1μF load

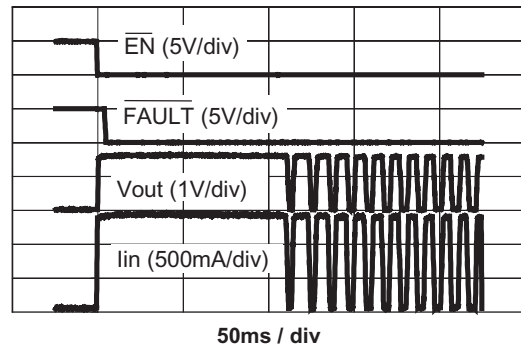


(Unless otherwise noted, $V_{IN} = 5V$, $T_A = 25^\circ C$)

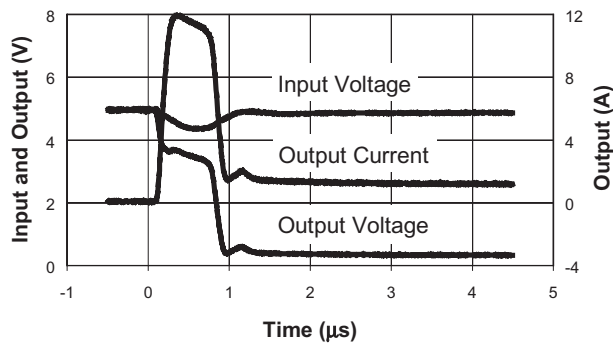
Start Into 1 Ohm load



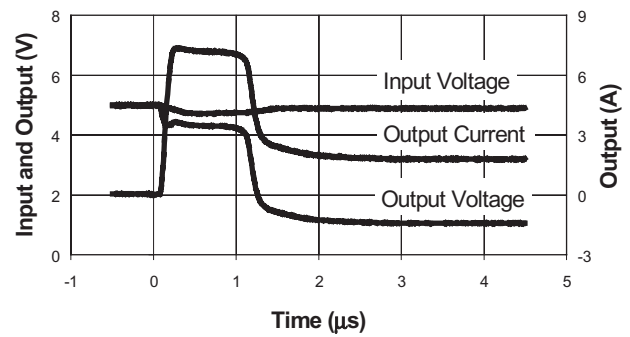
Thermal Shutdown Response



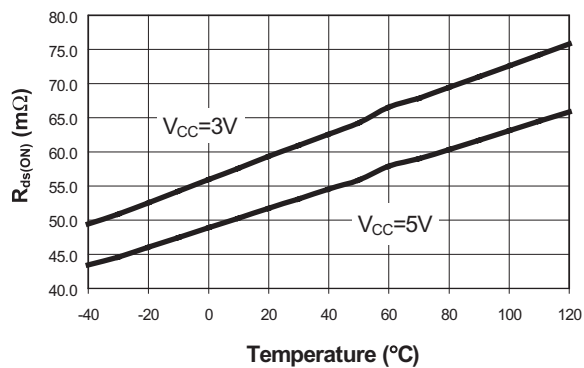
Short Circuit Through 0.3 Ohm



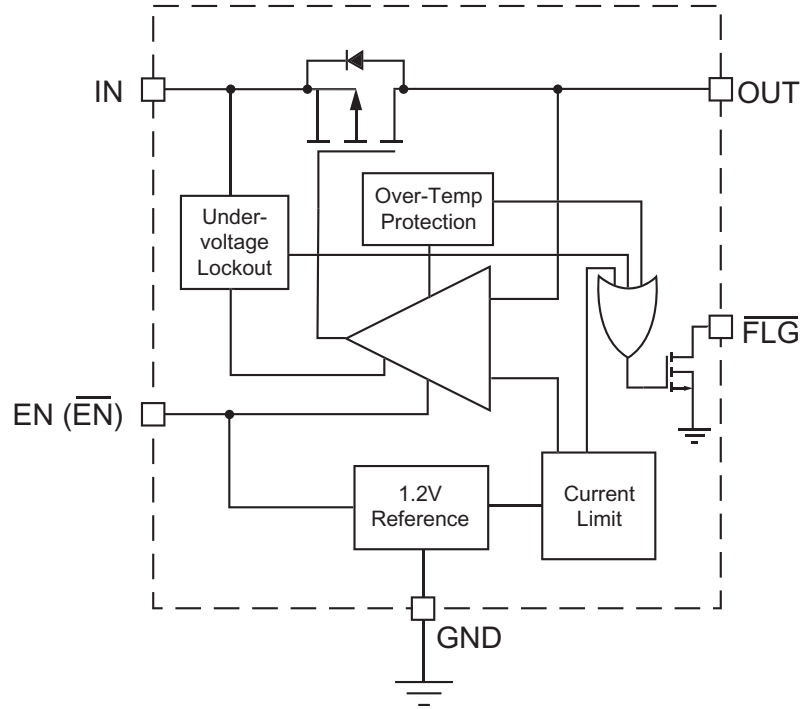
Short Circuit Through 0.6 Ohm



$R_{ds(ON)}$ vs. Temperature



Functional Block Diagram

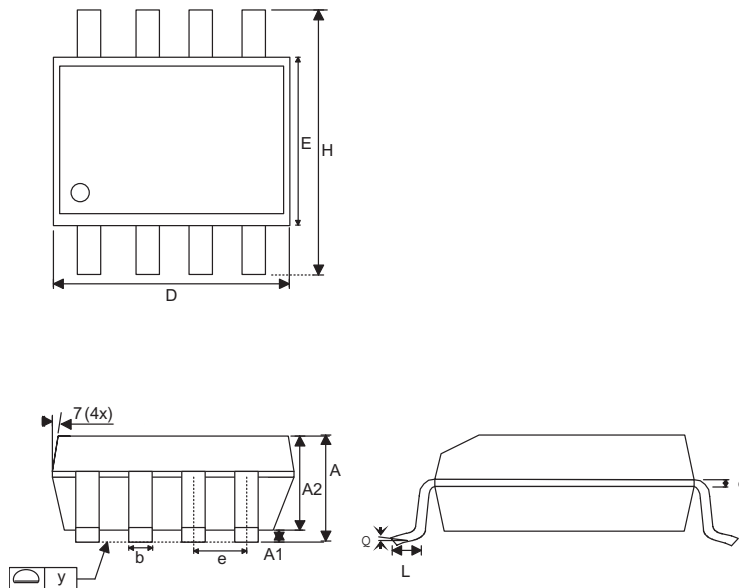


Ordering Information

Package	Enable	Marking	Part Number	
			Bulk	Tape and Reel
SOP8	EN (Active-high)		AAT4625IAS-1-B1	AAT4625IAS-1-T1
SOP8	EN (Active-low)		AAT4625IAS-B1	AAT4625IAS-T1
TSSOP8	EN (Active-high)		AAT4625IHS-1-B1	AAT4625IHS-1-T1
TSSOP8	EN (Active-low)		AAT4625IHS-B1	AAT4625IHS-T1

Package Information

SOP-8

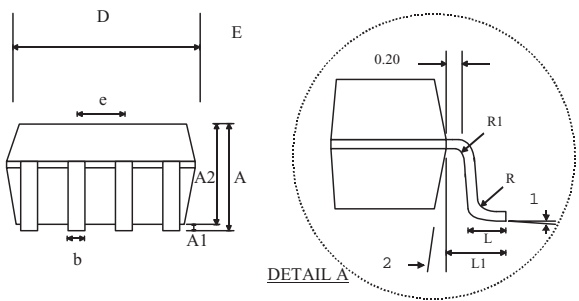
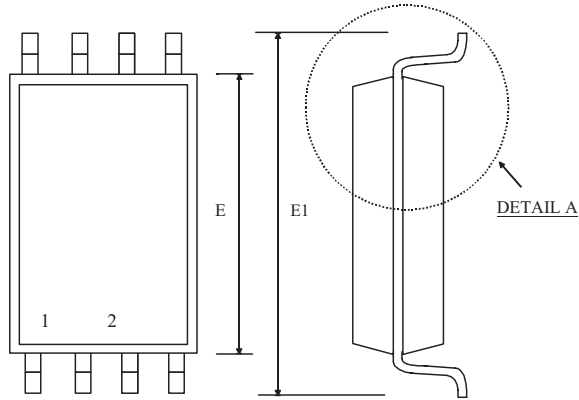


Dim	Millimeters		Inches	
	Min	Max	Min	Max
A	1.35	1.75	0.053	0.069
A1	0.10	0.25	0.004	0.010
A2	1.45		0.057	
B	0.33	0.51	0.013	0.020
C	0.19	0.25	0.007	0.010
D	4.80	5.00	0.189	0.197
E	3.80	4.00	0.150	0.157
e	1.27		0.050	
H	5.80	6.20	0.228	0.244
L	0.40	1.27	0.016	0.050
Y	0.00	0.10	0.000	0.004
θ1	0°	8°	0°	8°

Note:

1. PACKAGE BODY SIZES EXCLUDE MOLD FLASH PROTRUSIONS OR GATE BURRS.
2. TOLERANCE 0.1000mm (4mil) UNLESS OTHERWISE SPECIFIED
3. COPLANARITY: 0.1000mm
4. DIMENSION L IS MEASURED IN GAGE PLANE.
5. CONTROLLING DIMENSION IS MILLIMETER; CONVERTED INCH DIMENSIONS ARE NOT NECESSARILY EXACT.

TSSOP-8



Dim	Millimeters		Inches	
	Min	Max	Min	Max
A	1.05	1.20	0.041	0.047
A1	0.05	0.15	0.002	0.006
A2	-	1.05	-	0.041
b	0.25	0.30	0.010	0.012
c	0.127		0.005	
D-8	2.90	3.10	0.114	0.122
D-28	9.60	9.80	0.378	0.386
E	4.30	4.50	0.170	0.177
E1	6.20	6.60	0.244	0.260
e	0.65 BSC		0.025 BSC	
L	0.50	0.70	0.20	0.028
L1	1.0		0.039	
R	0.09	-	0.004	-
R1	0.09	-	0.004	-
θ1	0°	8°	0°	8°
θ2	12°			