

150KHz, 3A PWM Buck DC/DC Converter

■ Features

- Output voltage: 3.3V, 5V, 12V and adjustable output version
- Adjustable version output voltage range, 1.23V to 18V+4%
- 150KHz $\pm 15\%$ fixed switching frequency
- Voltage mode non-synchronous PWM control
- Thermal-shutdown and current-limit protection
- ON/OFF shutdown control input
- Operating voltage can be up to 22V
- Output load current: 3A
- TO220-5L and TO263-5L packages
- Low power standby mode
- Built-in switching transistor on chip

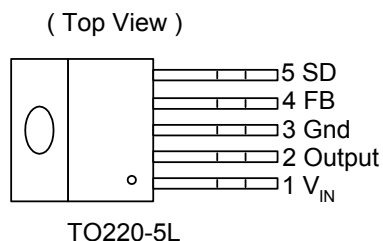
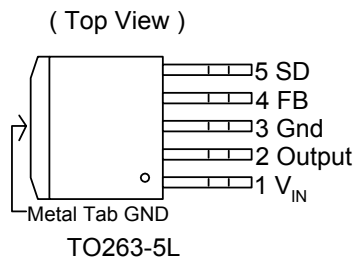
■ Applications

- Simple High-efficiency step-down regulator
- On-card switching regulators
- Positive to negative converter

■ General Description

The AP1506 series are monolithic IC designed for a step-down DC/DC converter, and own the ability of driving a 3A load without external transistor. Due to reducing the number of external component, the board space can be saved easily. The external shutdown function can be controlled by logic level and then come into standby mode. The internal compensation makes feedback control have good line and load regulation without external design. Regarding protected function, thermal shutdown is to prevent over temperature operating from damage, and current limit is to prevent over current operating of the output switch. If current limit function occurred and V_{FB} is down to 0.5V below, the switching frequency will be reduced. The AP1506 series operate at a switching frequency of 150KHz thus allowing smaller sized filter components than what would be needed with lower frequency switching regulators. Other features include a guaranteed $\pm 4\%$ tolerance on output voltage under specified input voltage and output load conditions, and $\pm 15\%$ on the oscillator frequency. The output version included fixed 3.3V, 5V, 12V, and an adjustable type. The packages are available in a standard 5-lead TO-220 package or a 5-lead TO-263.

■ Pin Assignments

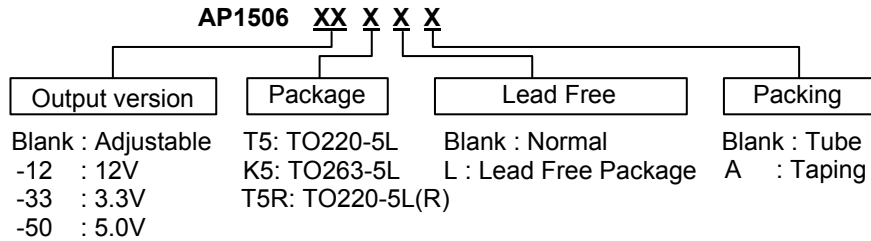


■ Pin Descriptions

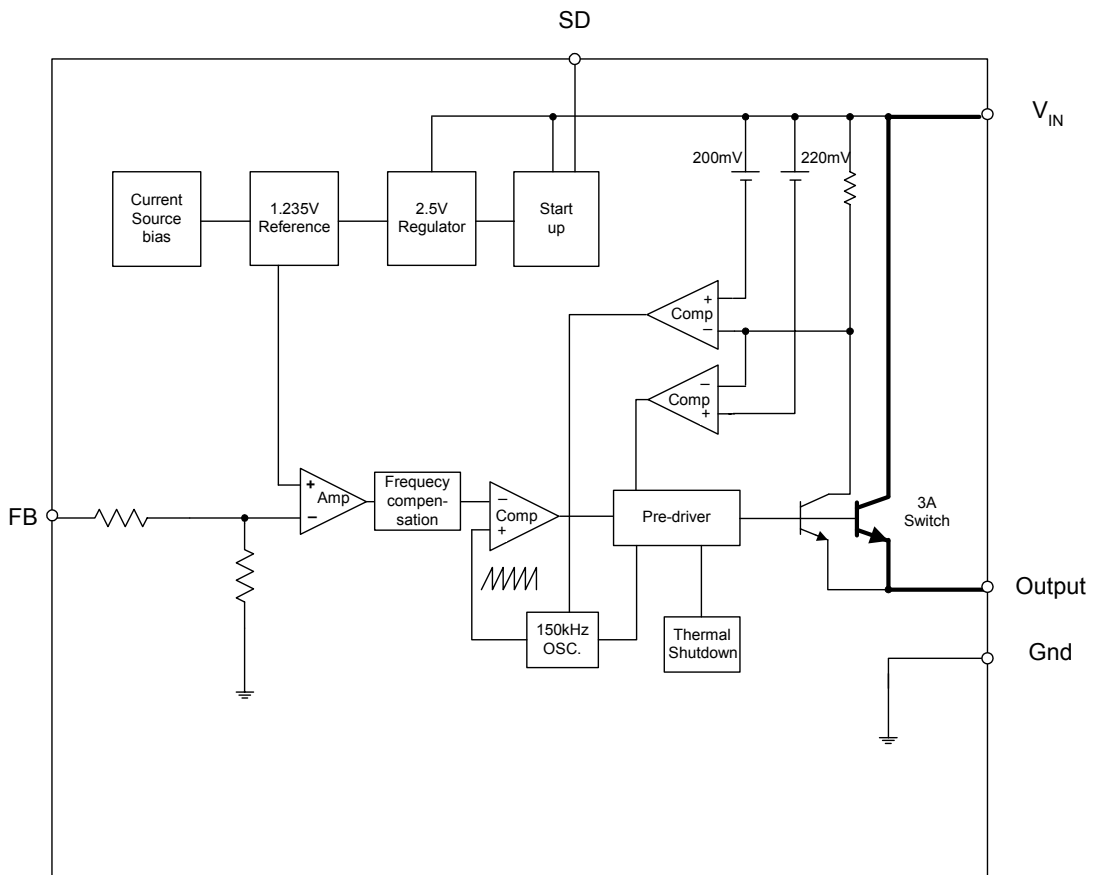
Name	Description
V_{IN}	Operating voltage input
Output	Switching output
GND	Ground
FB	Output voltage feedback control
SD	ON/OFF Shutdown

150KHz, 3A PWM Buck DC/DC Converter

■ Ordering Information



■ Block Diagram





■ Absolute Maximum Ratings

Symbol	Parameter	Rating	Unit
V _{CC}	Supply Voltage	+24	V
V _{SD}	ON/OFF Pin input voltage	-0.3 to +18	V
V _{FB}	Feedback Pin voltage	-0.3 to +18	V
V _{OUT}	Output voltage to Ground	-1	V
P _D	Power dissipation	Internally limited	W
T _{ST}	Storage temperature	-65 to +150	°C
T _{OP}	Operating temperature	-40 to +125	°C
V _{OP}	Operating voltage	+4.5 to +22	V

■ Electrical Characteristics (All Output Voltage Versions)

Unless otherwise specified, V_{IN}=12V for 3.3V, 5V, adjustable version and V_{IN}=18V for the 12V version. I_{LOAD} = 0.5A

Symbol	Parameter		Conditions	Min.	Typ.	Max.	Unit
I _{FB}	Feedback bias current		V _{FB} =1.3V (Adjustable version only)		-10	-50 -100	nA
F _{OSC}	Oscillator frequency			127 110	150	173 173	KHz
F _{SCP}	Oscillator frequency of short circuit protect		When current limit occurred and V _{FB} < 0.5V, T _a =25°C	5	15	25	KHz
V _{SAT}	Saturation Voltage		I _{OUT} =3A No outside circuit V _{FB} =0V force driver on		1.4	1.6 1.7	V
DC	Max. Duty Cycle (ON)		V _{FB} =0V force driver on		100		%
	Min. Duty Cycle (OFF)		V _{FB} =12V force driver off		0		
I _{CL}	Current limit		Peak current No outside circuit V _{FB} =0 force driver on	3.6	4.5	5.5 6.5	A
I _L	Output = 0V	Output leakage current	No outside circuit V _{FB} =12 force driver off			-200	uA
	Output = -1V		V _{IN} =22V		-5		mA
I _Q	Quiescent Current		V _{FB} =12 force driver off		5	10	mA
I _{STBY}	Standby Quiescent Current		ON/OFF pin=5V V _{IN} =22V		70	150 200	uA
V _{IL}	ON/OFF pin logic input threshold voltage		Low (regulator ON)	-	1.3	0.6	V
V _{IH}			High (regulator OFF)	2.0		-	
I _H	ON/OFF pin logic input current		V _{LOGIC} =2.5V (OFF)			-0.01	uA
I _L	ON/OFF pin input current		V _{LOGIC} =0.5V (ON)		-0.1	-1	
θ _{JC}	Thermal Resistance		TO220-5L	Junction to case		2.5	°C/W
			TO263-5L			3.5	
θ _{JA}	Thermal Resistance With copper area of approximately 3 in ²		TO220-5L	Junction to ambient		28	°C/W
			TO263-5L			23	

Specifications with **boldface type** are for full operating temperature range, the other type are for T_J=25°C.



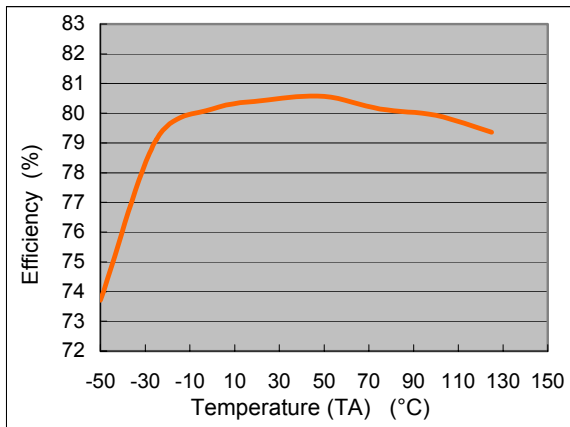
■ Electrical Characteristics (Continued)

	Symbol	Parameter	Conditions	Typ.	Limit	Unit
AP1506-ADJ	V_{FB}	Output Feedback	$5V \leq V_{IN} \leq 22V$ $0.2A \leq I_{LOAD} \leq 3A$ V_{OUT} programmed for 3V	1.23	1.193/ 1.18 1.267/ 1.28	V V_{MIN} V_{MAX}
	η	Efficiency	$V_{IN} = 12V, I_{LOAD}=3A$	74		%
AP1506-3.3V	V_{OUT}	Output voltage	$5.5V \leq V_{IN} \leq 22V$ $0.2A \leq I_{LOAD} \leq 3A$	3.3	3.168/ 3.135 3.432/ 3.465	V V_{MIN} V_{MAX}
	η	Efficiency	$V_{IN} = 12V, I_{LOAD}=3A$	75		%
AP1506-5V	V_{OUT}	Output voltage	$8V \leq V_{IN} \leq 22V$ $0.2A \leq I_{LOAD} \leq 3A$	5	4.8/ 4.75 5.2/ 5.25	V V_{MIN} V_{MAX}
	η	Efficiency	$V_{IN} = 12V, I_{LOAD}=3A$	80		%
AP1506-12V	V_{OUT}	Output voltage	$15V \leq V_{IN} \leq 22V$ $0.2A \leq I_{LOAD} \leq 3A$	12	11.52/ 11.4 12.48/ 12.6	V V_{MIN} V_{MAX}
	η	Efficiency	$V_{IN} = 16V, I_{LOAD} = 3A$	89		%

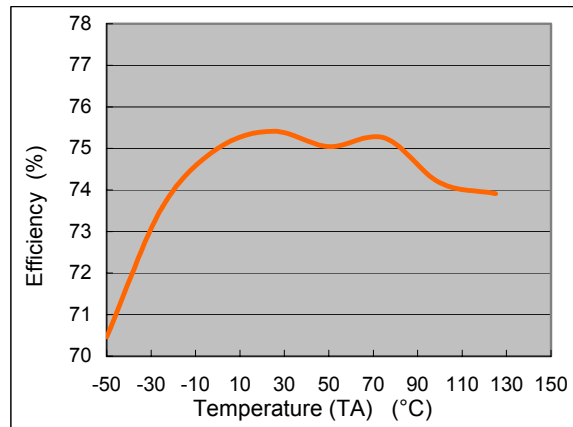
Specifications with **boldface type** are for full operating temperature range, the other type are for $T_J=25^\circ C$.

■ Typical Performance Characteristics

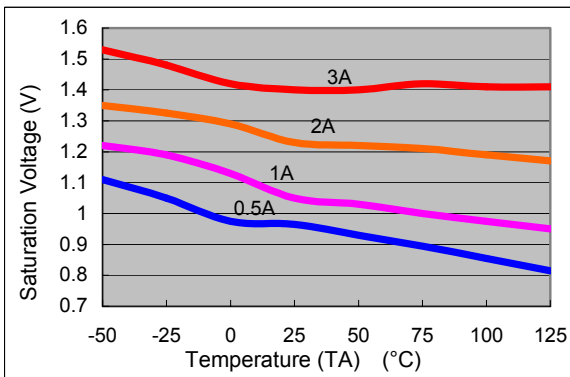
AP1506 Efficiency v.s. Temperature
($V_{in}=12V, V_{out}=5V, I_o=3A$)



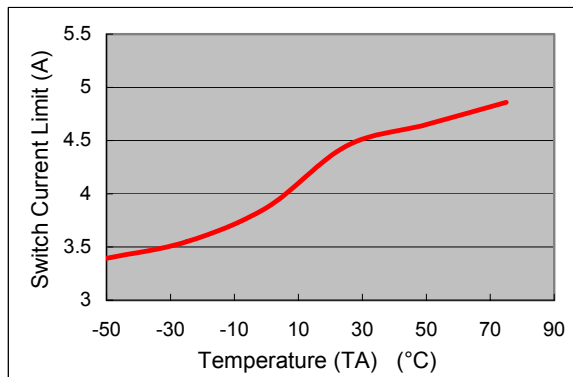
AP1506 Efficiency v.s. Temperature
($V_{in}=12V, V_{out}=3.3V, I_o=3A$)



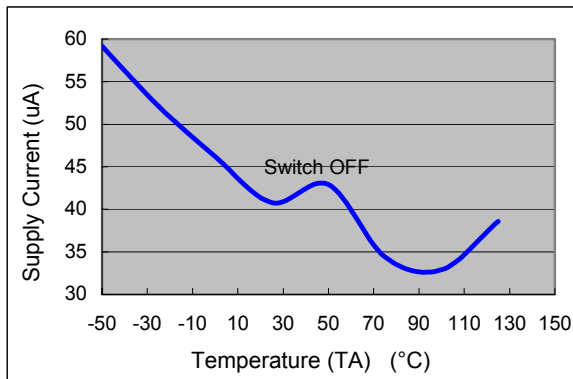
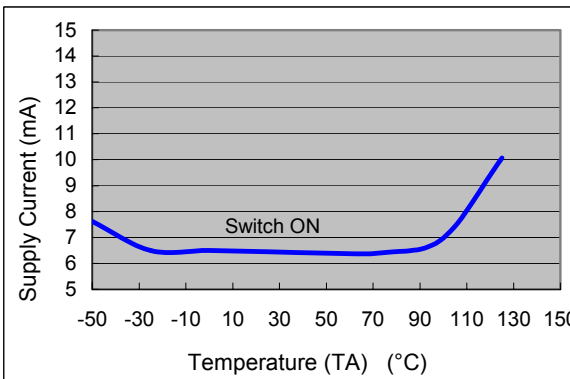
AP1506 Saturation Voltage v.s. Temperature
($V_{cc}=12V, V_{fb}=0V, V_{SD}=0$)



AP1506 Switch Current Limit v.s. Temperature
($V_{cc}=12V, V_{fb}=0V$)

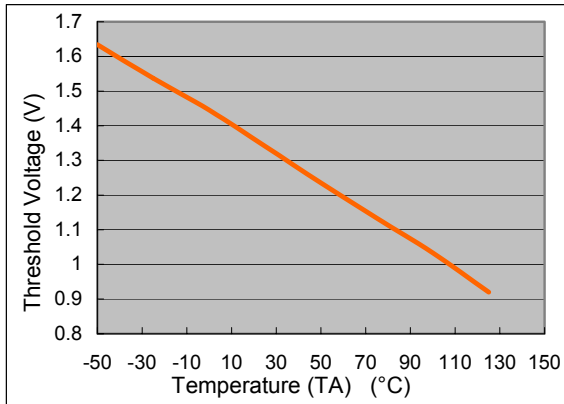


AP1506 Supply Current v.s. Temperature
($V_{cc}=12V, \text{No Load}, V_{on/off}=0V(\text{Switch ON}), V_{on/off}=5V(\text{Switch OFF})$)

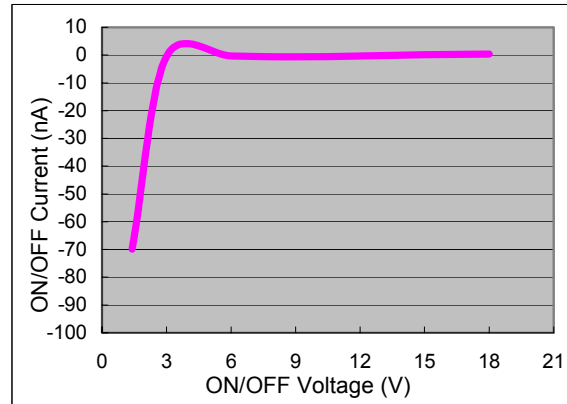


■ Typical Performance Characteristics (Continued)

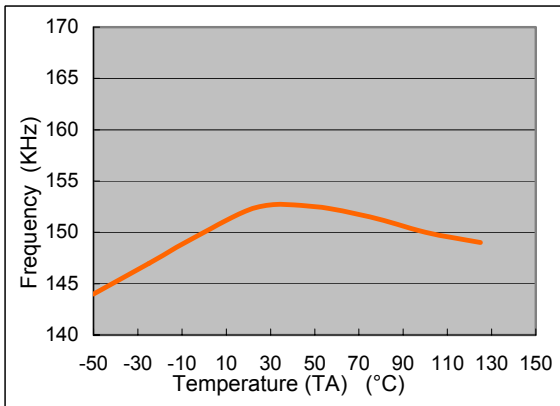
AP1506 Threshold Voltage v.s. Temperature
($V_{cc}=12V$, $I_o=100mA$)



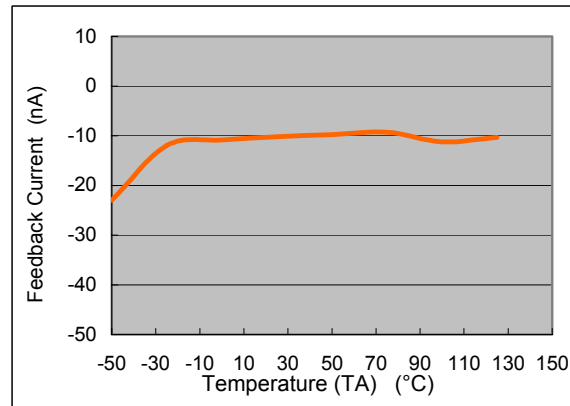
AP1506 ON/OFF Current v.s. ON/OFF Voltage
($V_{in}=12V$)



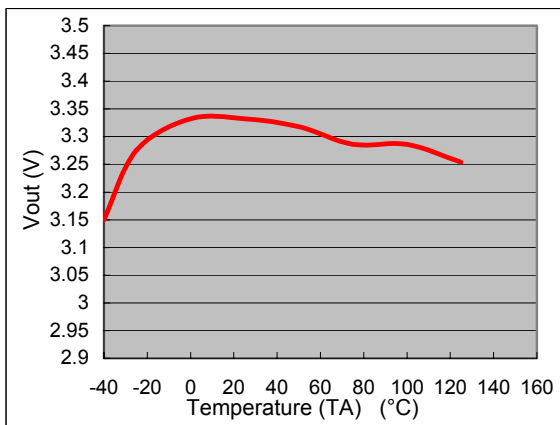
AP1506 Frequency v.s. Temperature
($V_{cc}=12V$, $I_o=500mA$, $V_{out}=5V$)



AP1506 Feedback Current v.s. Temperature
($V_{cc}=12V$, $V_{out}=5V$, $V_{fb}=1.3V$)

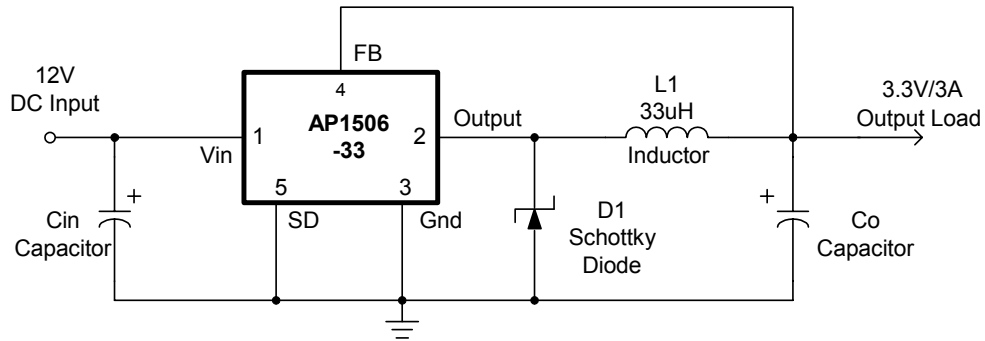


AP1506 Output Voltage v.s. Temperature
($V_{in}=12V$, $I_o=3A$)

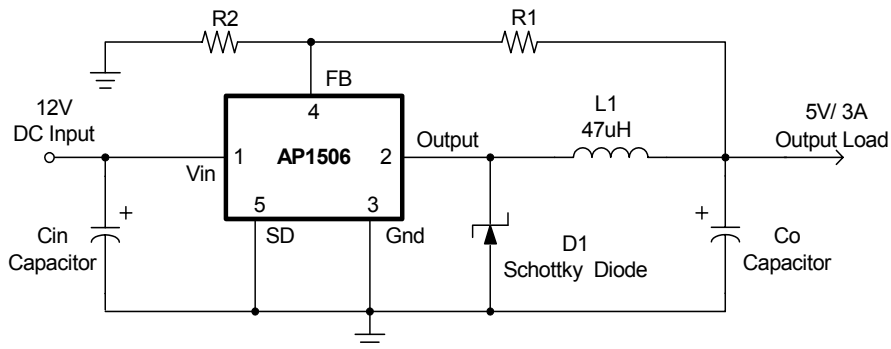


■ Typical Application Circuit

(1) Fixed Type Circuit



(2) Adjustable Type Circuit

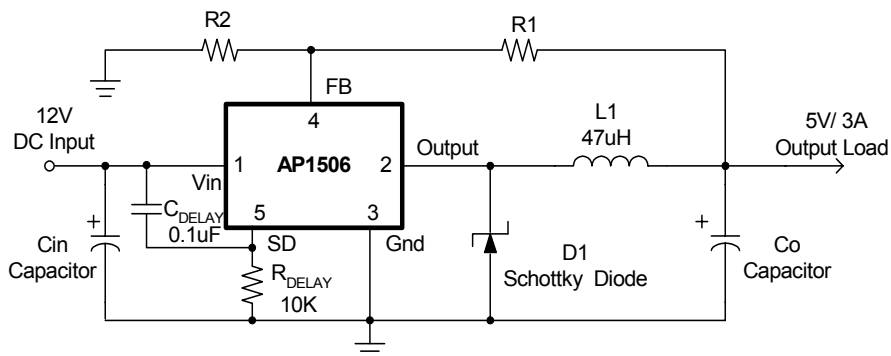


$$V_{out} = V_{FB} \times \left(1 + \frac{R1}{R2}\right)$$

$$V_{FB} = 1.23V$$

$$R2 = 1K \sim 3K$$

(3) Delay Start Circuit



■ Function Description

Pin Functions

+V_{IN}

This is the positive input supply for the IC switching regulator. A suitable input bypass capacitor must be present at this pin to minimize voltage transients and to supply the switching currents needed by the regulator.

Ground

Circuit ground.

Output

Internal switch. The voltage at this pin switches between (+V_{IN} - V_{SAT}) and approximately - 0.5V, with a duty cycle of approximately V_{OUT} / V_{IN}. To minimize coupling to sensitive circuitry, the PC board copper area connected to this pin should be kept a minimum.

Feedback (FB)

Senses the regulated output voltage to complete the feedback loop.

ON/OFF (SD)

Allows the switching regulator circuit to be shutdown using logic level signals thus dropping the total input supply current to approximately 150uA. Pulling this pin below a threshold voltage of approximately 1.3V turns the regulator on, and pulling this pin above 1.3V (up to a maximum of 18V) shuts the regulator down. If this shutdown feature is not needed, the $\overline{\text{ON}}$ / OFF pin can be wired to the ground pin.

Thermal Considerations

The AP1506 is available in two packages: a 5-pin TO-220 and a 5-pin surface mount TO-263.

The TO-220 package needs a heat sink under most conditions. The size of the heatsink depends on the input voltage, the output voltage, the load current and the ambient temperature. The AP1506 junction temperature rises above ambient temperature for a 3A load and different input and output voltages. The data for these curves was taken with the AP1506 (TO-220 package) operating as a buck-switching regulator in an ambient temperature of 25°C (still air). These temperature rise numbers

are all approximate and there are many factors that can affect these temperatures. Higher ambient temperatures require more heat sinking.

The TO-263 surface mount package tab was designed to be soldering to the copper on a printed circuit board. The copper and the board are the heat sink for this package and the other heat producing components, such as the catch diode and inductor. The PC board copper area that the package is soldered to should be at least 0.8 in², and ideally should have 2 or more square inches of 2 oz. Additional copper area improves the thermal characteristics, but with copper areas greater than approximately 6 in², only small improvements in heat dissipation are realized. If further thermal improvements are needed, double sided, multi-layer PC board with large copper areas and/or airflow will be recommended.

The AP1506 (TO-263 package) junction temperature rises above ambient temperature with a 2A load for various input and output voltages. This data was taken with the circuit operating as a buck-switching regulator with all components mounted on a PC board to simulate the junction temperature under actual operating conditions. This curve can be used for a quick check for the approximate junction temperature for various conditions, but be aware that there are many factors that can affect the junction temperature. When load currents higher than 3A are used, double sided or multi-layer PC boards with large copper areas and/or airflow might be needed, especially for high ambient temperatures and high output voltages.

For the best thermal performance, wide copper traces and generous amounts of printed circuit board copper should be used in the board layout. (Once exception to this is the output (switch) pin, which should not have large areas of copper.) Large areas of copper provide the best transfer of heat (lower thermal resistance) to the surrounding air, and moving air lowers the thermal resistance even further.

150KHz, 3A PWM Buck DC/DC Converter

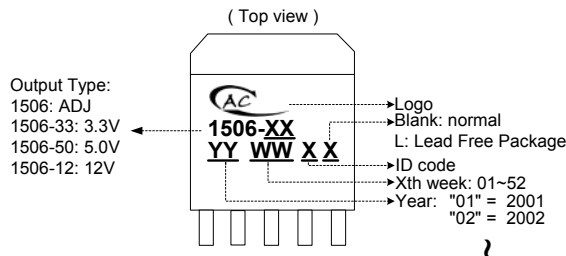
■ Function Description (Continued)

Package thermal resistance and junction temperature rise numbers are all approximate, and there are many factors that will affect these numbers. Some of these factors include board size, shape, thickness, position, location, and even board temperature. Other factors are, trace width, total printed circuit copper area, copper thickness, single or double-sided, multi-layer board and the amount of solder on the board. The effectiveness of the PC board to dissipate heat also depends on

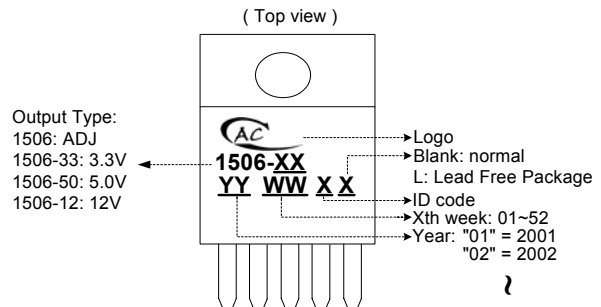
the size, quantity and spacing of other components on the board, as well as whether the surrounding air is still or moving. Furthermore, some of these components such as the catch diode will add heat to the PC board and the heat can vary as the input voltage changes. For the inductor, depending on the physical size, type of core material and the DC resistance, it could either act as a heat sink taking heat away from the board, or it could add heat to the board.

■ Marking Information

(1) TO263-5L

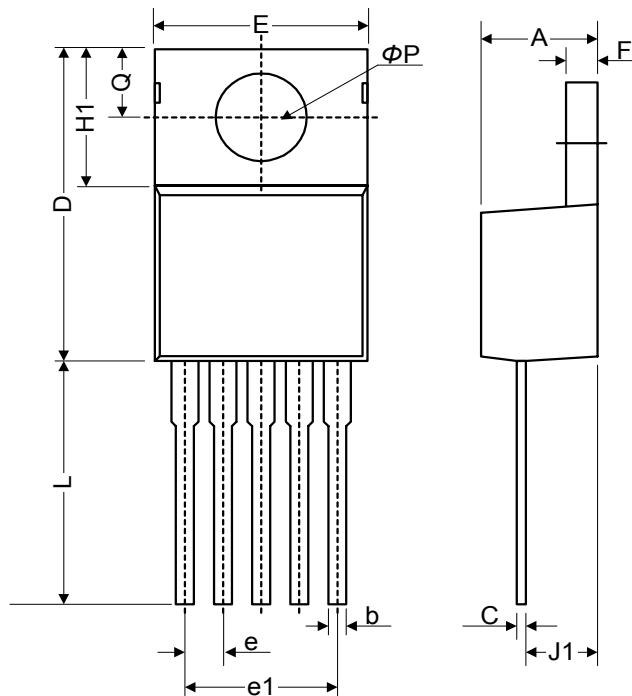


(2) TO220-5L



■ Package Information

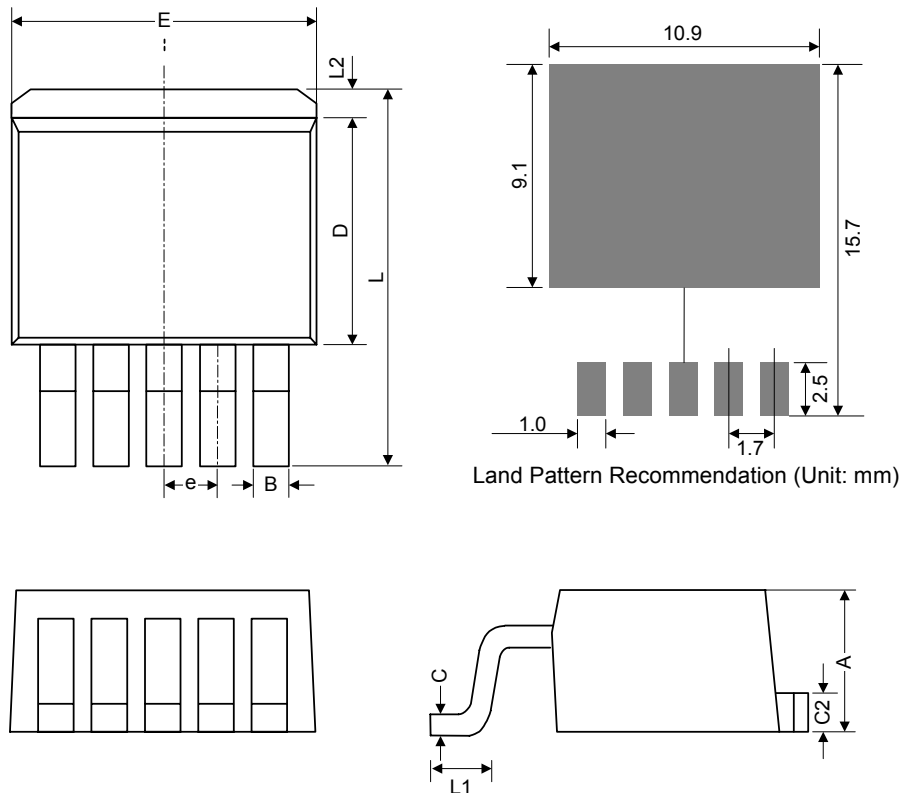
(1) Package Type: TO220-5L



Symbol	Dimensions In Millimeters			Dimensions In Inches		
	Min.	Nom.	Max.	Min.	Nom.	Max.
A	4.07	4.45	4.82	0.160	0.175	0.190
b	0.76	0.89	1.02	0.030	0.035	0.040
C	0.36	0.50	0.64	0.014	0.020	0.025
D	14.22	14.86	15.50	0.560	0.585	0.610
E	9.78	10.16	10.54	0.385	0.400	0.415
e	1.57	1.71	1.85	0.062	0.067	0.073
e1	6.68	6.81	6.93	0.263	0.268	0.273
F	1.14	1.27	1.40	0.045	0.050	0.055
H1	5.46	6.16	6.86	0.215	0.243	0.270
J1	2.29	2.74	3.18	0.090	0.108	0.125
L	13.21	13.97	14.73	0.520	0.550	0.580
Øp	3.68	3.81	3.94	0.145	0.150	0.155
Q	2.54	2.73	2.92	0.100	0.107	0.115

■ Package Information(Continued)

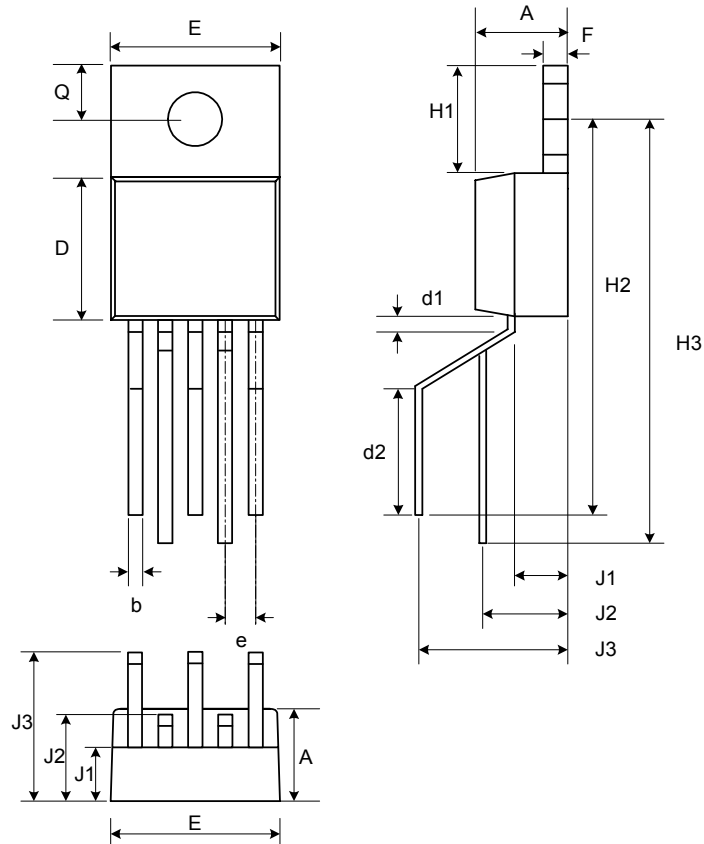
(2) Package Type: TO263-5L



Symbol	Dimensions In Millimeters			Dimensions In Inches		
	Min.	Nom.	Max.	Min.	Nom.	Max.
A	4.07	4.46	4.85	0.160	0.176	0.191
B	0.66	0.84	1.02	0.026	0.033	0.040
C	0.36	0.50	0.64	0.014	0.020	0.025
C2	1.14	1.27	1.40	0.045	0.050	0.055
D	8.65	9.15	9.65	0.341	0.360	0.380
E	9.78	10.16	10.54	0.385	0.400	0.415
e	1.57	1.71	1.85	0.062	0.068	0.073
L	14.61	15.24	15.88	0.575	0.600	0.625
L1	2.29	2.54	2.79	0.090	0.100	0.110
L2	-	-	2.92	-	-	0.115

■ Package Information(Continued)

(3) Package Type: TO220-5L(R) Mechanical drawing



Symbol	Dimensions In Millimeters			Dimensions In Inches		
	Min.	Nom.	Max.	Min.	Nom.	Max.
A	4.4	4.6	4.7	0.175	0.180	0.185
b	0.7	0.8	0.9	0.027	0.032	0.037
D	8.4	8.7	8.9	0.330	0.340	0.350
d1	1.0			0.039		
d2	6.3			0.248		
E	9.91	10.16	10.41	0.390	0.400	0.410
e	1.6	1.7	1.8	0.062	0.067	0.072
F	1.2	1.25	1.3	0.048	0.050	0.052
H1	6.4			0.250		
H2	20.8	21.6	22.4	0.820	0.850	0.880
H3	23.9	24.7	25.5	0.942	0.972	1.002
J1	2.7			0.105		
J2	3.7	4.5	5.3	0.147	0.177	0.207
J3	8.4			0.331		
Q	2.5	2.8	3.0	0.100	0.110	0.120