



A7121

Preliminary

2.4GHz GFSK Transceiver

Typical Applications

- Wireless digital audio
- Wireless Mouse and Keyboard
- 2.4GHz ISM Band Communication System
- Wireless game pad
- Wireless toy

General Description

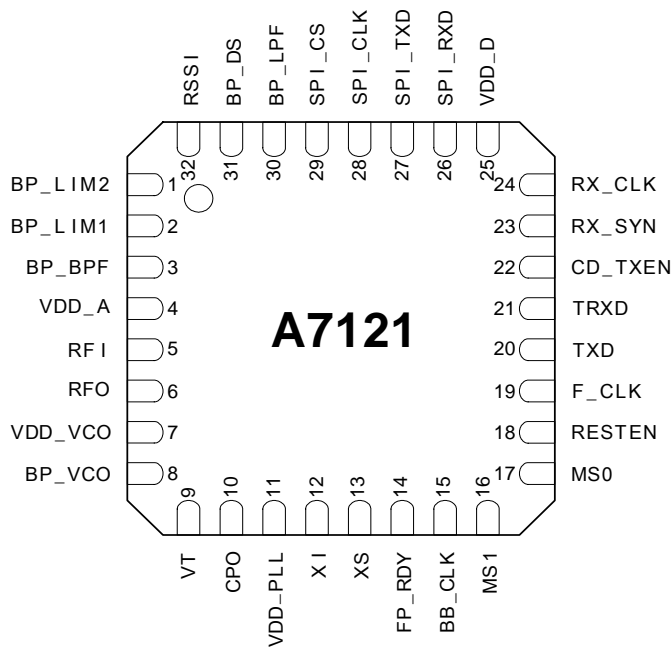
A7121 is a monolithic CMOS integrated circuit for wireless applications in 2.4GHz ISM band. The device is provided in a 32-lead plastic QFN5X5 packaging and is designed as

a complete GFSK transceiver up to 3Mbps data rate. The chip features a fully programmable frequency synthesizer with integrated VCO circuitry.

Features

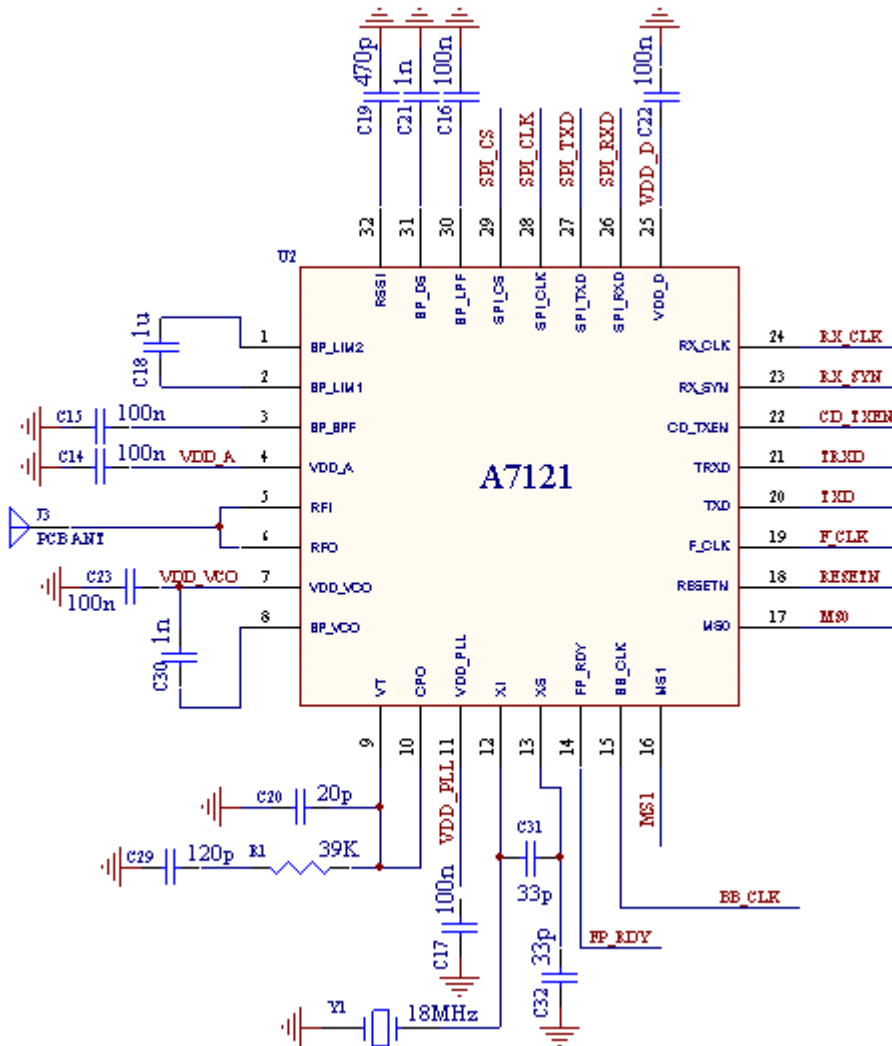
- 2400MHz~2484MHz worldwide license free frequency band
- Up to 79 selectable channels
- 2.2 V – 2.8 V voltage supply
- Programmable output power up to 0dBm
- Channel switching time < 200us
- 1 or 3Mbps high speed data rate
- -20 °C to 85 °C operating temperature
- -87dBm sensitivity
- Direct / FIFO mode operation
- Modem interface for low speed, low cost microcontroller
- Low IF architecture with few external components

Pin Configurations



QFN Package Top View

Application Circuit



Important Notice:

AMIC reserves the right to make changes to its products or to discontinue any integrated circuit product or service without notice. AMIC integrated circuit products are not designed, intended, authorized, or warranted to be suitable for use in life-support applications, devices or systems or other critical applications. Use of AMIC products in such applications is understood to be fully at the risk of the customer.