

Am49LV6408M

Data Sheet



July 2003

The following document specifies Spansion memory products that are now offered by both Advanced Micro Devices and Fujitsu. Although the document is marked with the name of the company that originally developed the specification, these products will be offered to customers of both AMD and Fujitsu.

Continuity of Specifications

There is no change to this datasheet as a result of offering the device as a Spansion product. Any changes that have been made are the result of normal datasheet improvement and are noted in the document revision summary, where supported. Future routine revisions will occur when appropriate, and changes will be noted in a revision summary.

Continuity of Ordering Part Numbers

AMD and Fujitsu continue to support existing part numbers beginning with "Am" and "MBM". To order these products, please use only the Ordering Part Numbers listed in this document.

For More Information

Please contact your local AMD or Fujitsu sales office for additional information about Spansion memory solutions.

Publication Number **30918** Revision **A** Amendment **0** Issue Date **November 5, 2003**



THIS PAGE LEFT INTENTIONALLY BLANK.

Am49LV6408M

Stacked Multi-chip Package (MCP) 64 Mbit (4 M x 16 bit) Flash Memory and 8 Mbit (512K x 16-Bit) pseudo Static RAM

DISTINCTIVE CHARACTERISTICS

MCP Features

- **Power supply voltage of 2.7 to 3.3 volt**
- **High Performance**
 - Access time as fast as 100ns initial 5 ns page Flash 55 ns pSRAM
- **Package**
 - 69-Ball FBGA
 - Look ahead pinout for simple migration
 - 8 x 10 x 1.2 mm
- **Operating Temperature**
 - -40°C to +85°C

Flash Memory Features

ARCHITECTURAL ADVANTAGES

- **Single power supply operation**
 - 3 V for read, erase, and program operations
- **Manufactured on 0.23 μ m MirrorBit process technology**
- **SecSi™ (Secured Silicon) Sector region**
 - 128-word sector for permanent, secure identification through an 8-word random Electronic Serial Number, accessible through a command sequence
 - May be programmed and locked at the factory or by the customer
- **Flexible sector architecture**
 - One hundred twenty seven 32 Kword sectors
 - Eight 4 Kword boot sectors
- **Compatibility with JEDEC standards**
 - Provides pinout and software compatibility for single-power supply flash, and superior inadvertent write protection
- **Minimum 100,000 erase cycle guarantee per sector**
- **20-year data retention at 125°C**

PERFORMANCE CHARACTERISTICS

- **High performance**
 - 100 ns access time
 - 35 ns page read times
 - 0.5 s typical sector erase time
 - 22 μ s typical write buffer word programming time: 16-word write buffer reduces overall programming time for multiple-word updates

- 4-word page read buffer
- 16-word write buffer

- **Low power consumption (typical values at 3.0 V, 5 MHz)**
 - 30 mA typical initial Page read current; 10 mA typical intra-Page read current
 - 50 mA typical erase/program current
 - 1 μ A typical standby mode current

SOFTWARE & HARDWARE FEATURES

- **Software features**
 - Program Suspend & Resume: read other sectors before programming operation is completed
 - Erase Suspend & Resume: read/program other sectors before an erase operation is completed
 - Data# polling & toggle bits provide status
 - Unlock Bypass Program command reduces overall multiple-word programming time
 - CFI (Common Flash Interface) compliant: allows host system to identify and accommodate multiple flash devices
- **Hardware features**
 - Sector Group Protection: hardware-level method of preventing write operations within a sector group
 - Temporary Sector Unprotect: V_{ID} -level method of changing code in locked sectors
 - WP#/ACC input: Write Protect input (WP#) protects top or bottom two sectors regardless of sector protection settings ACC (high voltage) accelerates programming time for higher throughput during system production
 - Hardware reset input (RESET#) resets device

pSRAM Features

- **As fast as 55ns access time**
- **Power dissipation**
 - Operating: 23 mA maximum
 - Standby: 60 μ A maximum at 3.0 V
- **CE1ps# and CE2ps Chip Select**
- **Power down features using CE1ps# and CE2ps**
- **Data retention supply voltage: 1.5 to 3.3 volt**
- **Byte data control: LB#s (DQ7–DQ0), UB#s (DQ15–DQ8)**

GENERAL DESCRIPTION

Am29LV640MH/L Features

The Am29LV640MH/L is a 64 Mbit, 3.0 volt single power supply flash memory device organized as 4,194,304 words. The device has an 16-bit bus and can be programmed either in the host system or in standard EPROM programmers.

Each device requires only a **single 3.0 volt power supply** for both read and write functions. In addition to a V_{CC} input, a high-voltage **accelerated program (ACC)** feature provides shorter programming times through increased current on the WP#/ACC input. This feature is intended to facilitate factory throughput during system production, but may also be used in the field if desired.

The device is entirely command set compatible with the **JEDEC single-power-supply Flash standard**. Commands are written to the device using standard microprocessor write timing. Write cycles also internally latch addresses and data needed for the programming and erase operations.

The **sector erase architecture** allows memory sectors to be erased and reprogrammed without affecting the data contents of other sectors. The device is fully erased when shipped from the factory.

Device programming and erasure are initiated through command sequences. Once a program or erase operation has begun, the host system need only poll the

DQ7 (Data# Polling) or DQ6 (toggle) **status bits** or monitor the **Ready/Busy# (RY/BY#)** output to determine whether the operation is complete. To facilitate programming, an **Unlock Bypass** mode reduces command sequence overhead by requiring only two write cycles to program data instead of four.

Hardware data protection measures include a low V_{CC} detector that automatically inhibits write operations during power transitions. The hardware sector protection feature disables both program and erase operations in any combination of sectors of memory. This can be achieved in-system or via programming equipment.

The **Erase Suspend/Erase Resume** feature allows the host system to pause an erase operation in a given sector to read or program any other sector and then complete the erase operation. The **Program Suspend/Program Resume** feature enables the host system to pause a program operation in a given sector to read any other sector and then complete the program operation.

The **hardware RESET# pin** terminates any operation in progress and resets the device, after which it is then ready for a new operation. The RESET# pin may be tied to the system reset circuitry. A system reset would thus also reset the device, enabling the host system to read boot-up firmware from the Flash memory device.

TABLE OF CONTENTS

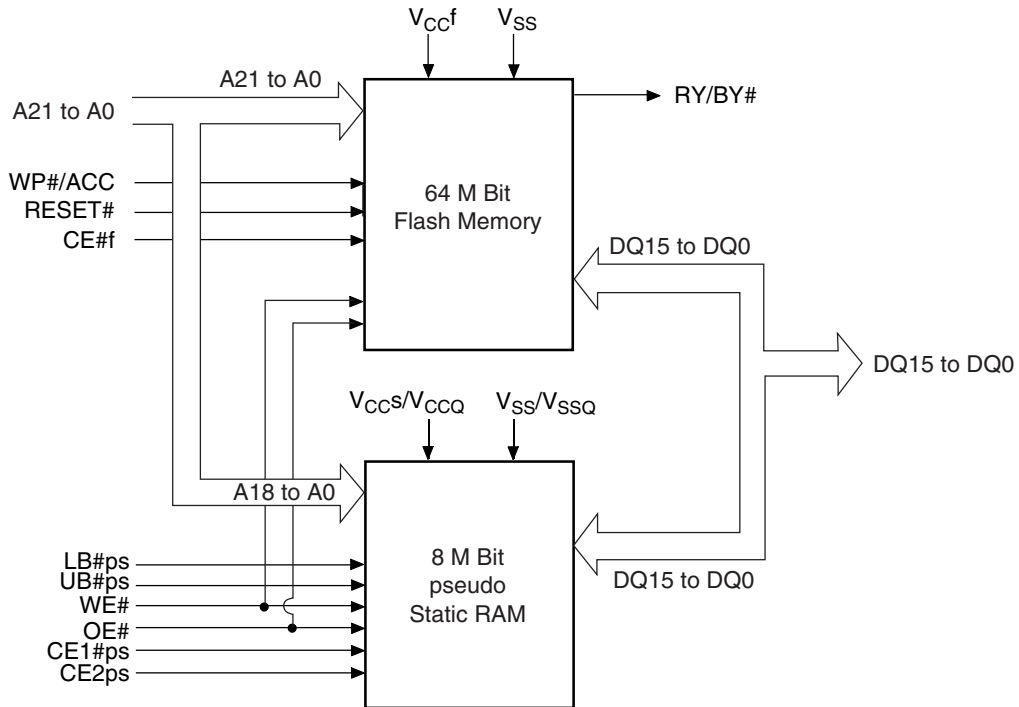
Product Selector Guide	4
MCP Block Diagram	4
Flash Memory Block Diagram	5
Connection Diagrams	6
Pin Description	7
Ordering Information	8
Device Bus Operations	9
Requirements for Reading Array Data	11
Page Mode Read	11
Writing Commands/Command Sequences	11
Write Buffer	11
Accelerated Program Operation	11
Autoselect Functions	11
Automatic Sleep Mode	12
RESET#: Hardware Reset Pin	12
Output Disable Mode	12
Table 2. Am29LV640MT Top Boot Sector Architecture	12
Table 3. Am29LV640MB Bottom Boot Sector Architecture	15
Sector Group Protection and Unprotection	18
Table 4. Am29LV640MT Top Boot Sector Protection	18
Table 5. Am29LV640MB Bottom Boot Sector Protection	18
Write Protect (WP#)	19
Temporary Sector Group Unprotect	19
Figure 1. Temporary Sector Group Unprotect Operation.....	19
Figure 2. In-System Sector Group Protect/Unprotect Algorithms ...	20
SecSi (Secured Silicon) Sector Flash Memory Region	21
Table 6. SecSi Sector Contents	21
Figure 3. SecSi Sector Protect Verify.....	22
Hardware Data Protection	22
Low VCC Write Inhibit	22
Write Pulse “Glitch” Protection	22
Logical Inhibit	22
Power-Up Write Inhibit	22
Common Flash Memory Interface (CFI)	22
Command Definitions	25
Reading Array Data	25
Reset Command	26
Autoselect Command Sequence	26
Enter SecSi Sector/Exit SecSi Sector Command Sequence ..	26
Word Program Command Sequence	26
Unlock Bypass Command Sequence	27
Write Buffer Programming	27
Accelerated Program	28
Figure 4. Write Buffer Programming Operation.....	29
Figure 5. Program Operation	30
Program Suspend/Program Resume Command Sequence ...	30
Figure 6. Program Suspend/Program Resume.....	31
Chip Erase Command Sequence	31
Sector Erase Command Sequence	31
Figure 7. Erase Operation.....	32
Erase Suspend/Erase Resume Commands	32
Write Operation Status	34
DQ7: Data# Polling	34
Figure 8. Data# Polling Algorithm	34
DQ6: Toggle Bit I	35
Figure 9. Toggle Bit Algorithm.....	36
DQ2: Toggle Bit II	36
Reading Toggle Bits DQ6/DQ2	36
DQ5: Exceeded Timing Limits	37
DQ3: Sector Erase Timer	37
DQ1: Write-to-Buffer Abort	37
Table 12. Write Operation Status	37
Absolute Maximum Ratings	38
Figure 10. Maximum Negative Overshoot Waveform	38
Figure 11. Maximum Positive Overshoot Waveform.....	38
Operating Ranges	38
DC Characteristics	39
Pseudo SRAM DC and Operating Characteristics	40
Test Conditions	41
Figure 12. Test Setup.....	41
Table 13. Test Specifications	41
Key to Switching Waveforms	41
Figure 13. Input Waveforms and Measurement Levels	41
AC Characteristics	42
Flash Read-Only Operations	42
Figure 14. Read Operation Timings	42
Figure 15. Page Read Timings	43
Hardware Reset (RESET#)	44
Figure 16. Reset Timings	44
Erase and Program Operations	45
Figure 17. Program Operation Timings.....	46
Figure 18. Accelerated Program Timing Diagram.....	46
Figure 19. Chip/Sector Erase Operation Timings	47
Figure 20. Data# Polling Timings (During Embedded Algorithms).....	48
Figure 21. Toggle Bit Timings (During Embedded Algorithms).....	49
Figure 22. DQ2 vs. DQ6.....	49
Temporary Sector Unprotect	50
Figure 23. Temporary Sector Group Unprotect Timing Diagram ...	50
Figure 24. Sector Group Protect and Unprotect Timing Diagram ..	51
Alternate CE# Controlled Erase and Program Operations	52
Figure 25. Alternate CE# Controlled Write (Erase/Program) Operation Timings.....	53
Pseudo SRAM AC Characteristics	54
Power Up Time	54
Read Cycle	54
Figure 26. Pseudo SRAM Read Cycle—Address Controlled.....	54
Figure 27. Pseudo SRAM Read Cycle.....	55
Write Cycle	56
Figure 28. Pseudo SRAM Write Cycle—WE# Control	56
Figure 29. Pseudo SRAM Write Cycle—CE1#s Control.....	57
Flash Erase And Programming Performance ..	58
Latchup Characteristics	58
BGA Package Capacitance	58
Data Retention	59
Physical Dimensions	60
TLB069—69-Ball Fine-pitch Ball Grid Array (FBGA)	
8 x 10 mm Package	60
Revision Summary	61

PRODUCT SELECTOR GUIDE

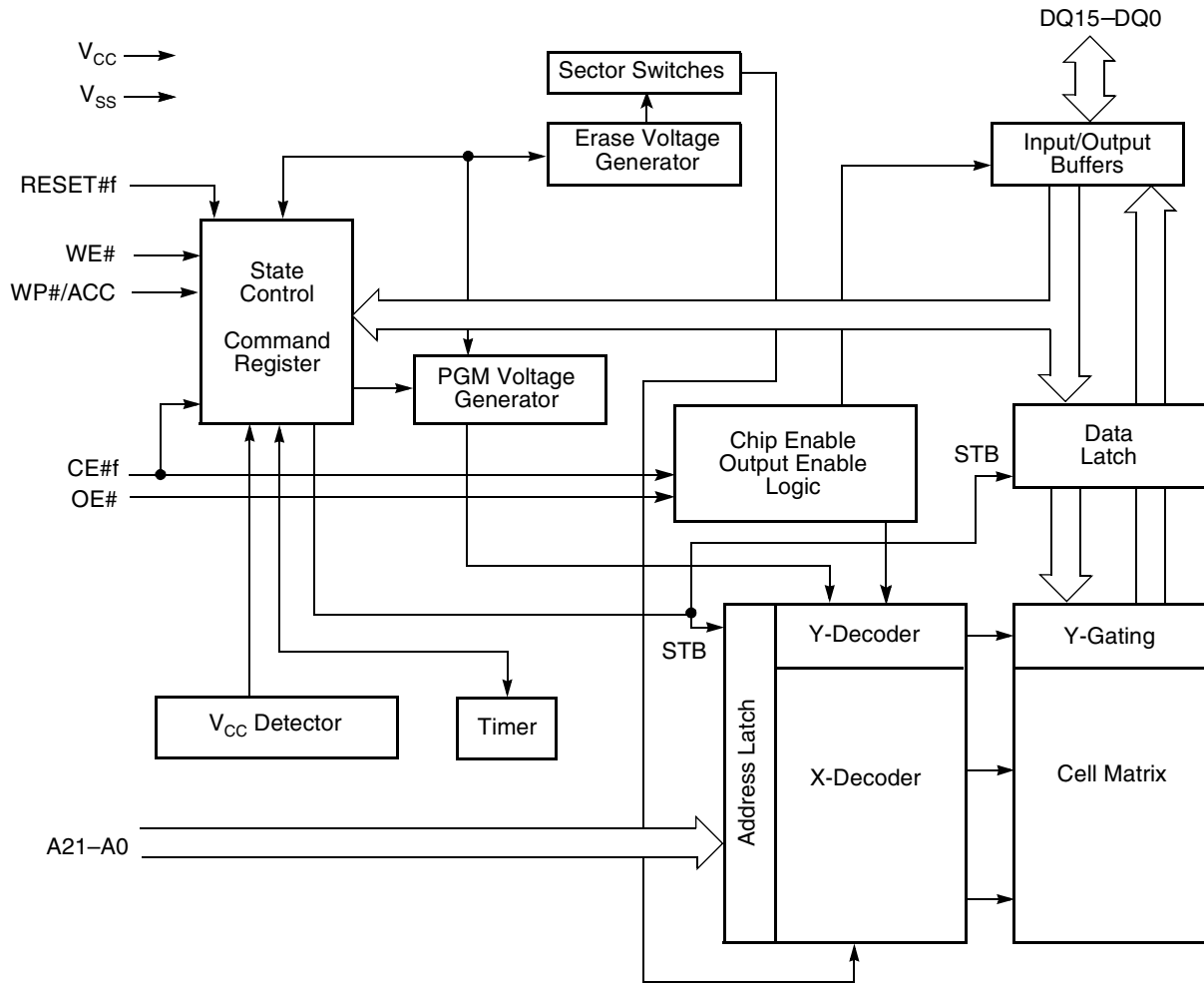
Family Part Number		Am49LV6408M			
		Flash Memory		pSRAM	
Speed Option	Standard Voltage Range: $V_{CC} = 2.7-3.3\text{ V}$	10, 15	11	15	10, 11
Max Access Time (ns)		100	110	55	70
Max. CE# Access (ns)		100	110	55	70
Max. Page Access Time (t_{PACC})		35	40	N/A	N/A
OE# Access (ns)		35	40	30	35

Note: See “AC Characteristics” for full specifications.

MCP BLOCK DIAGRAM

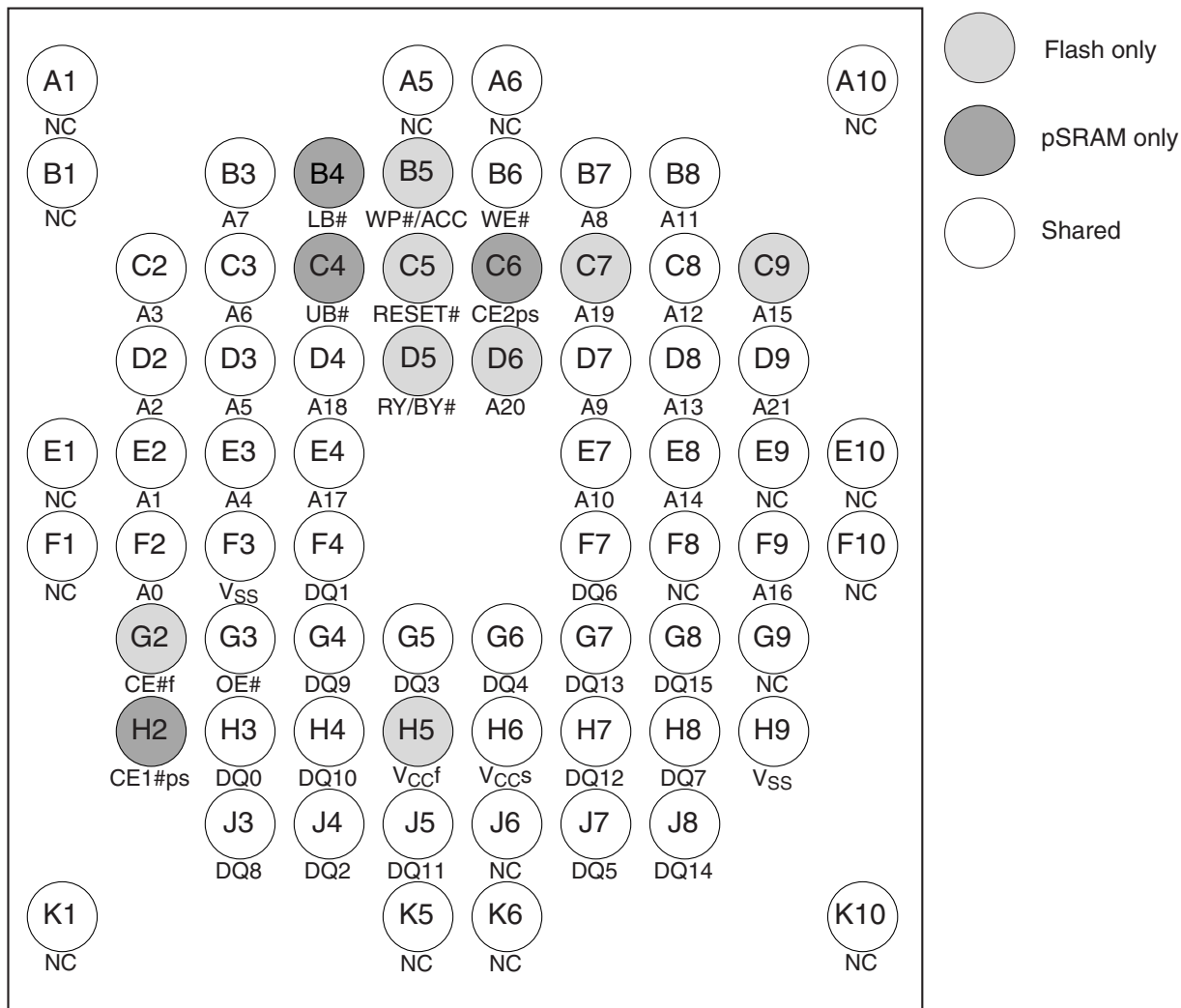


FLASH MEMORY BLOCK DIAGRAM



CONNECTION DIAGRAMS

69-ball Fine-pitch BGA
Top View, Balls Facing Down



SPECIAL PACKAGE HANDLING INSTRUCTIONS FOR FBGA PACKAGES

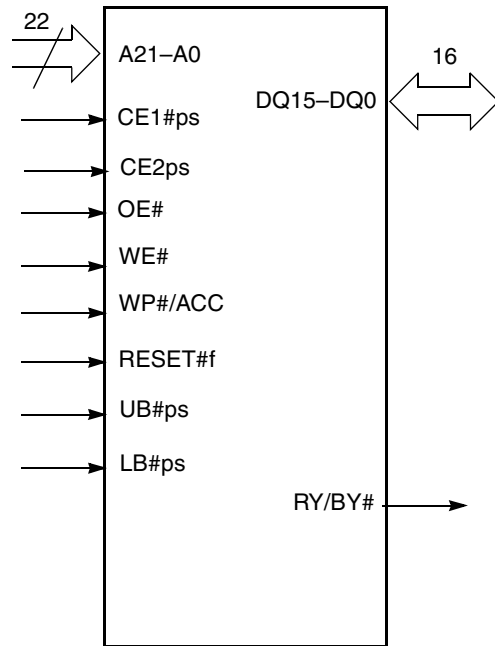
Special handling is required for Flash Memory products in molded packages (BGA). The package and/or data

integrity may be compromised if the package body is exposed to temperatures about 150°C for prolonged periods of time.

PIN DESCRIPTION

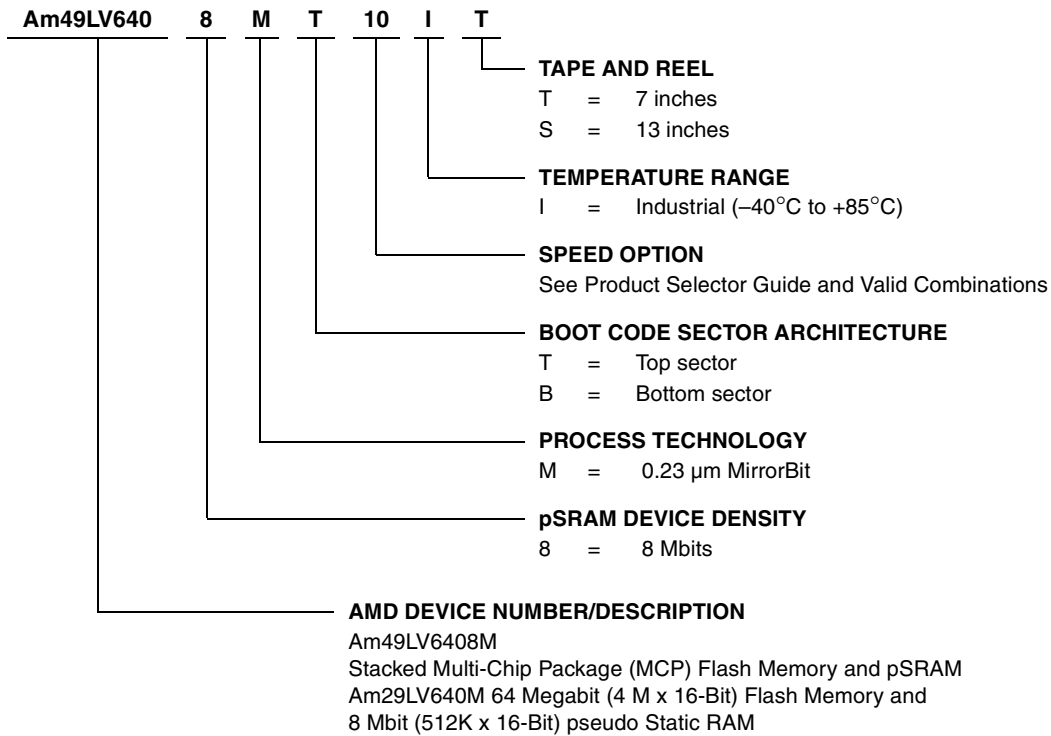
- A21–A0 = 22 Address inputs
- DQ15–DQ0 = 16 Data inputs/outputs
- CE# = Chip Enable input (Flash)
- CE1#ps, CE2ps= Chip Enable (pSRAM)
- OE# = Output Enable input (Flash)
- WE# = Write Enable input (Flash)
- WP#/ACC = Hardware Write Protect input/Programming Acceleration input (Flash)
- RESET#f = Hardware Reset Pin input (Flash)
- V_{CCf} = Flash 3.0 volt-only single power supply (see Product Selector Guide for speed options and voltage supply tolerances)
- V_{CCps} = pSRAM Power Supply
- V_{SS} = Device Ground
- NC = Pin Not Connected Internally
- UB#ps = Upper Byte Control (pSRAM)
- LB#ps = Lower Byte Control (pSRAM)

LOGIC SYMBOL



ORDERING INFORMATION

The order number (Valid Combination) is formed by the following:



Valid Combinations		
Order Number		Package Marking
Am49LV6408MT15I	T	M49000003Z
Am49LV6408MB15I		M49000004A
Am49LV6408MT10I		M49000002T
Am49LV6408MB10I		M49000002U
Am49LV6408MT11I		M49000002V
Am49LV6408MB11I		M49000002X

Valid Combinations

Valid Combinations list configurations planned to be supported in volume for this device. Consult the local AMD sales office to confirm availability of specific valid combinations and to check on newly released combinations

DEVICE BUS OPERATIONS

This section describes the requirements and use of the device bus operations, which are initiated through the internal command register. The command register itself does not occupy any addressable memory location. The register is a latch used to store the commands, along with the address and data information needed to execute the command. The contents of the

register serve as inputs to the internal state machine. The state machine outputs dictate the function of the device. [Table 1](#) lists the device bus operations, the inputs and control levels they require, and the resulting output. The following subsections describe each of these operations in further detail.

Table 1. Device Bus Operations

Operation (Notes 1, 2)	CE#	CE1#ps	CE2ps	OE#	WE#	Addr.	LB#s	UB#s	RESET#	WP#/ACC (Note 4)	DQ7- DQ0	DQ15- DQ8
Read from Flash	L	H	X	L	H	A _{IN}	X	X	H	L/H	D _{OUT}	D _{OUT}
		X	L									
Write to Flash	L	H	X	H	L	A _{IN}	X	X	H	(Note 4)	D _{IN}	D _{IN}
		X	L									
Standby	V _{CC} ± 0.3 V	H	X	X	X	X	X	X	V _{CC} ± 0.3 V	H	High-Z	High-Z
		X	L									
Output Disable	L	L	H	H	H	X	L	X	H	L/H	High-Z	High-Z
				H	H	X	X	L				
Flash Hardware Reset	X	H	X	X	X	X	X	X	L	L/H	High-Z	High-Z
		X	L									
Sector Protect (Note 5)	L	H	X	H	L	SADD, A6 = L, A1 = H, A0 = L	X	X	V _{ID}	L/H	D _{IN}	X
		X	L									
Sector Unprotect (Note 5)	L	H	X	H	L	SADD, A6 = H, A1 = H, A0 = L	X	X	V _{ID}	(Note 6)	D _{IN}	X
		X	L									
Temporary Sector Unprotect	X	H	X	X	X	X	X	X	V _{ID}	(Note 6)	D _{IN}	High-Z
		X	L									
Read from pSRAM	H	L	H	L	H	A _{IN}	L	L	H	X	D _{OUT}	D _{OUT}
							H	L			High-Z	D _{OUT}
							L	H			D _{OUT}	High-Z
Write to pSRAM	H	L	H	X	L	A _{IN}	L	L	H	X	D _{IN}	D _{IN}
							H	L			High-Z	D _{IN}
							L	H			D _{IN}	High-Z

Legend: L = Logic Low = V_{IL}, H = Logic High = V_{IH}, V_{ID} = 11.5–12.5 V, V_{HH} = 9.0 ± 0.5 V, X = Don't Care, SADD = Flash Sector Address, A_{IN} = Address In, D_{IN} = Data In, D_{OUT} = Data Out

Notes:

1. Other operations except for those indicated in this column are inhibited.
2. Do not apply CE# = V_{IL}, CE1#ps = V_{IL} and CE2ps = V_{IH} at the same time.
3. Don't care or open LB#ps or UB#ps.
4. If WP#/ACC = V_{IL}, the boot sectors will be protected. If WP#/ACC = V_{IH} the boot sectors protection will be removed. If WP#/ACC = V_{ACC} (9V), the program time will be reduced by 40%.
5. The sector protect and sector unprotect functions may also be implemented via programming equipment. See the "Sector Group Protection and Unprotection" section.
6. If WP#/ACC = V_{IL}, the two outermost boot sectors remain protected. If WP#/ACC = V_{IH}, the two outermost boot sector protection depends on whether they were last protected or unprotected using the method described in "Sector Group Protection and Unprotection". If WP#/ACC = V_{HH}, all sectors will be unprotected.

Requirements for Reading Array Data

To read array data from the outputs, the system must drive the CE# and OE# pins to V_{IL} . CE# is the power control and selects the device. OE# is the output control and gates array data to the output pins. WE# should remain at V_{IH} .

The internal state machine is set for reading array data upon device power-up, or after a hardware reset. This ensures that no spurious alteration of the memory content occurs during the power transition. No command is necessary in this mode to obtain array data. Standard microprocessor read cycles that assert valid addresses on the device address inputs produce valid data on the device data outputs. The device remains enabled for read access until the command register contents are altered.

See “Reading Array Data” for more information. Refer to the AC [Flash Read-Only Operations](#) table for timing specifications and to Figure 14 for the timing diagram. Refer to the DC Characteristics table for the active current specification on reading array data.

Page Mode Read

The device is capable of fast page mode read and is compatible with the page mode Mask ROM read operation. This mode provides faster read access speed for random locations within a page. The page size of the device is 4 words. The appropriate page is selected by the higher address bits A(max)–A2. Address bits A1–A0 determine the specific word within a page. This is an asynchronous operation; the microprocessor supplies the specific word location.

The random or initial page access is equal to t_{ACC} or t_{CE} and subsequent page read accesses (as long as the locations specified by the microprocessor falls within that page) is equivalent to t_{PACC} . When CE# is deasserted and reasserted for a subsequent access, the access time is t_{ACC} or t_{CE} . Fast page mode accesses are obtained by keeping the “read-page addresses” constant and changing the “intra-read page” addresses.

Writing Commands/Command Sequences

To write a command or command sequence (which includes programming data to the device and erasing sectors of memory), the system must drive WE# and CE# to V_{IL} , and OE# to V_{IH} .

The device features an **Unlock Bypass** mode to facilitate faster programming. Once the device enters the Unlock Bypass mode, only two write cycles are required to program a word or byte, instead of four. The “Word Program Command Sequence” section has details on programming data to the device using both standard and Unlock Bypass command sequences.

An erase operation can erase one sector, multiple sectors, or the entire device. Tables 3 and 2 indicates the address space that each sector occupies.

Refer to the DC Characteristics table for the active current specification for the write mode. The [AC Characteristics](#) section contains timing specification tables and timing diagrams for write operations.

Write Buffer

Write Buffer Programming allows the system to write a maximum of 16 words/32 bytes in one programming operation. This results in faster effective programming time than the standard programming algorithms. See “Write Buffer” for more information.

Accelerated Program Operation

The device offers accelerated program operations through the ACC function. This is one of two functions provided by the WP#/ACC pin. This function is primarily intended to allow faster manufacturing throughput at the factory.

If the system asserts V_{HH} on this pin, the device automatically enters the aforementioned Unlock Bypass mode, temporarily unprotects any protected sectors, and uses the higher voltage on the pin to reduce the time required for program operations. The system would use a two-cycle program command sequence as required by the Unlock Bypass mode. Removing V_{HH} from the WP#/ACC pin returns the device to normal operation. *Note that the WP#/ACC pin must not be at V_{HH} for operations other than accelerated programming, or device damage may result. In addition, no external pullup is necessary since the WP#/ACC pin has internal pullup to V_{CC} .*

Autoselect Functions

If the system writes the autoselect command sequence, the device enters the autoselect mode. The system can then read autoselect codes from the internal register (which is separate from the memory array) on DQ7–DQ0. Standard read cycle timings apply in this mode. Refer to the [Sector Group Protection and Unprotection](#) and [Autoselect Command Sequence](#) sections for more information.

Standby Mode

When the system is not reading or writing to the device, it can place the device in the standby mode. In this mode, current consumption is greatly reduced, and the outputs are placed in the high impedance state, independent of the OE# input.

The device enters the CMOS standby mode when the CE# and RESET# pins are both held at $V_{CC} \pm 0.3$ V. (Note that this is a more restricted voltage range than V_{IH} .) If CE# and RESET# are held at V_{IH} , but not within

$V_{CC} \pm 0.3$ V, the device will be in the standby mode, but the standby current will be greater. The device requires standard access time (t_{CE}) for read access when the device is in either of these standby modes, before it is ready to read data.

If the device is deselected during erasure or programming, the device draws active current until the operation is completed.

Refer to the [DC Characteristics](#) table for the standby current specification.

Automatic Sleep Mode

The automatic sleep mode minimizes Flash device energy consumption. The device automatically enables this mode when addresses remain stable for $t_{ACC} + 30$ ns. The automatic sleep mode is independent of the CE#, WE#, and OE# control signals. Standard address access timings provide new data when addresses are changed. While in sleep mode, output data is latched and always available to the system. Refer to the [DC Characteristics](#) table for the automatic sleep mode current specification.

RESET#: Hardware Reset Pin

The RESET# pin provides a hardware method of resetting the device to reading array data. When the RE-

SET# pin is driven low for at least a period of t_{RP} , the device immediately terminates any operation in progress, tristates all output pins, and ignores all read/write commands for the duration of the RESET# pulse. The device also resets the internal state machine to reading array data. The operation that was interrupted should be reinitiated once the device is ready to accept another command sequence, to ensure data integrity.

Current is reduced for the duration of the RESET# pulse. When RESET# is held at $V_{SS} \pm 0.3$ V, the device draws CMOS standby current (I_{CC4}). If RESET# is held at V_{IL} but not within $V_{SS} \pm 0.3$ V, the standby current will be greater.

The RESET# pin may be tied to the system reset circuitry. A system reset would thus also reset the Flash memory, enabling the system to read the boot-up firmware from the Flash memory.

Refer to the [AC Characteristics](#) tables for RESET# parameters and to Figure 16 for the timing diagram.

Output Disable Mode

When the OE# input is at V_{IH} , output from the device is disabled. The output pins are placed in the high impedance state.

Table 2. Am29LV640MT Top Boot Sector Architecture

Sector	Sector Address A21–A12	Sector Size (Kwords)	(x16) Address Range
SA0	000000xxx	32	0000h–07FFFh
SA1	000001xxx	32	0800h–0FFFFh
SA2	000010xxx	32	1000h–17FFFh
SA3	000011xxx	32	1800h–1FFFFh
SA4	0000100xxx	32	2000h–27FFFh
SA5	0000101xxx	32	2800h–2FFFFh
SA6	0000110xxx	32	3000h–37FFFh
SA7	0000111xxx	32	3800h–3FFFFh
SA8	0001000xxx	32	4000h–47FFFh
SA9	0001001xxx	32	4800h–4FFFFh
SA10	0001010xxx	32	5000h–57FFFh
SA11	0001011xxx	32	5800h–5FFFFh
SA12	0001100xxx	32	6000h–67FFFh
SA13	0001101xxx	32	6800h–6FFFFh
SA14	0001110xxx	32	7000h–77FFFh
SA15	0001111xxx	32	7800h–7FFFFh
SA16	0010000xxx	32	8000h–87FFFh
SA17	0010001xxx	32	8800h–8FFFFh
SA18	0010010xxx	32	9000h–97FFFh
SA19	0010011xxx	32	9800h–9FFFFh
SA20	0010100xxx	32	A000h–A7FFFh
SA21	0010101xxx	32	A800h–AFFFFh
SA22	0010110xxx	32	B000h–B7FFFh
SA23	0010111xxx	32	B800h–BFFFFh
SA24	0011000xxx	32	C000h–C7FFFh

Table 2. Am29LV640MT Top Boot Sector Architecture (Continued)

Sector	Sector Address A21–A12	Sector Size (Kwords)	(x16) Address Range
SA25	0011001xxx	32	C8000h–CFFFFh
SA26	0011010xxx	32	D0000h–D7FFFh
SA27	0011011xxx	32	D8000h–DFFFFh
SA28	0011000xxx	32	E0000h–E7FFFh
SA29	0011101xxx	32	E8000h–EFFFFh
SA30	0011110xxx	32	F0000h–F7FFFh
SA31	0011111xxx	32	F8000h–FFFFFh
SA32	0100000xxx	32	F9000h–107FFFh
SA33	0100001xxx	32	108000h–10FFFFh
SA34	0100010xxx	32	110000h–117FFFh
SA35	0101011xxx	32	118000h–11FFFFh
SA36	0100100xxx	32	120000h–127FFFh
SA37	0100101xxx	32	128000h–12FFFFh
SA38	0100110xxx	32	130000h–137FFFh
SA39	0100111xxx	32	138000h–13FFFFh
SA40	0101000xxx	32	140000h–147FFFh
SA41	0101001xxx	32	148000h–14FFFFh
SA42	0101010xxx	32	150000h–157FFFh
SA43	0101011xxx	32	158000h–15FFFFh
SA44	0101100xxx	32	160000h–167FFFh
SA45	0101101xxx	32	168000h–16FFFFh
SA46	0101110xxx	32	170000h–177FFFh
SA47	0101111xxx	32	178000h–17FFFFh
SA48	0110000xxx	32	180000h–187FFFh
SA49	0110001xxx	32	188000h–18FFFFh
SA50	0110010xxx	32	190000h–197FFFh
SA51	0110011xxx	32	198000h–19FFFFh
SA52	0100100xxx	32	1A0000h–1A7FFFh
SA53	0110101xxx	32	1A8000h–1AFFFFh
SA54	0110110xxx	32	1B0000h–1B7FFFh
SA55	0110111xxx	32	1B8000h–1BFFFFh
SA56	0111000xxx	32	1C0000h–1C7FFFh
SA57	0111001xxx	32	1C8000h–1CFFFFh
SA58	0111010xxx	32	1D0000h–1D7FFFh
SA59	0111011xxx	32	1D8000h–1DFFFFh
SA60	0111100xxx	32	1E0000h–1E7FFFh
SA61	0111101xxx	32	1E8000h–1EFFFFh
SA62	0111110xxx	32	1F0000h–1F7FFFh
SA63	0111111xxx	32	1F8000h–1FFFFFh
SA64	1000000xxx	32	200000h–207FFFh
SA65	1000001xxx	32	208000h–20FFFFh
SA66	1000010xxx	32	210000h–217FFFh
SA67	1000011xxx	32	218000h–21FFFFh
SA68	1000100xxx	32	220000h–227FFFh
SA69	1000101xxx	32	228000h–22FFFFh
SA70	1000110xxx	32	230000h–237FFFh
SA71	1000111xxx	32	238000h–23FFFFh
SA72	1001000xxx	32	240000h–247FFFh
SA73	1001001xxx	32	248000h–24FFFFh
SA74	1001010xxx	32	250000h–257FFFh
SA75	1001011xxx	32	258000h–25FFFFh
SA76	1001100xxx	32	260000h–267FFFh
SA77	1001101xxx	32	268000h–26FFFFh
SA78	1001110xxx	32	270000h–277FFFh
SA79	1001111xxx	32	278000h–27FFFFh

Table 2. Am29LV640MT Top Boot Sector Architecture (Continued)

Sector	Sector Address A21–A12	Sector Size (Kwords)	(x16) Address Range
SA80	1010000xxx	32	280000h–28FFFFh
SA81	1010001xxx	32	288000h–28FFFFh
SA82	1010010xxx	32	290000h–29FFFFh
SA83	1010011xxx	32	298000h–29FFFFh
SA84	1010100xxx	32	2A0000h–2A7FFFh
SA85	1010101xxx	32	2A8000h–2AFFFFh
SA86	1010110xxx	32	2B0000h–2B7FFFh
SA87	1010111xxx	32	2B8000h–2BFFFFh
SA88	1011000xxx	32	2C0000h–2C7FFFh
SA89	1011001xxx	32	2C8000h–2CFFFFh
SA90	1011010xxx	32	2D0000h–2D7FFFh
SA91	1011011xxx	32	2D8000h–2DFFFFh
SA92	1011100xxx	32	2E0000h–2E7FFFh
SA93	1011101xxx	32	2E8000h–2EFFFFh
SA94	1011110xxx	32	2F0000h–2FFFFFh
SA95	1011111xxx	32	2F8000h–2FFFFFh
SA96	1100000xxx	32	300000h–307FFFh
SA97	1100001xxx	32	308000h–30FFFFh
SA98	1100010xxx	32	310000h–317FFFh
SA99	1100011xxx	32	318000h–31FFFFh
SA100	1100100xxx	32	320000h–327FFFh
SA101	1100101xxx	32	328000h–32FFFFh
SA102	1100110xxx	32	330000h–337FFFh
SA103	1100111xxx	32	338000h–33FFFFh
SA104	1101000xxx	32	340000h–347FFFh
SA105	1101001xxx	32	348000h–34FFFFh
SA106	1101010xxx	32	350000h–357FFFh
SA107	1101011xxx	32	358000h–35FFFFh
SA108	1101100xxx	32	360000h–367FFFh
SA109	1101101xxx	32	368000h–36FFFFh
SA110	1101110xxx	32	370000h–377FFFh
SA111	1101111xxx	32	378000h–37FFFFh
SA112	1110000xxx	32	380000h–387FFFh
SA113	1110001xxx	32	388000h–38FFFFh
SA114	1110010xxx	32	390000h–397FFFh
SA115	1110011xxx	32	398000h–39FFFFh
SA116	1110100xxx	32	3A0000h–3A7FFFh
SA117	1110101xxx	32	3A8000h–3AFFFFh
SA118	1110110xxx	32	3B0000h–3B7FFFh
SA119	1110111xxx	32	3B8000h–3BFFFFh
SA120	1111000xxx	32	3C0000h–3C7FFFh
SA121	1111001xxx	32	3C8000h–3CFFFFh
SA122	1111010xxx	32	3D0000h–3D7FFFh
SA123	1111011xxx	32	3D8000h–3DFFFFh
SA124	1111100xxx	32	3E0000h–3E7FFFh
SA125	1111101xxx	32	3E8000h–3EFFFFh
SA126	1111110xxx	32	3F0000h–3F7FFFh
SA127	1111111000	4	3F8000h–3F8FFFh
SA128	1111111001	4	3F9000h–3F9FFFh
SA129	1111111010	4	3FA000h–3FAFFFh
SA130	1111111011	4	3FB000h–3FBFFFh
SA131	1111111100	4	3FC000h–3FCFFFh
SA132	1111111101	4	3FD000h–3FDFFFh
SA133	1111111110	4	3FE000h–3FEFFFh
SA134	1111111111	4	3FF000h–3FFFFFh

Table 3. Am29LV640MB Bottom Boot Sector Architecture

Sector	Sector Address A21–A12	Sector Size (Kwords)	(x16) Address Range
SA0	000000000	4	0000h–00FFFh
SA1	000000001	4	01000h–01FFFh
SA2	000000010	4	02000h–02FFFh
SA3	000000011	4	03000h–03FFFh
SA4	000000100	4	04000h–04FFFh
SA5	000000101	4	05000h–05FFFh
SA6	000000110	4	06000h–06FFFh
SA7	000000111	4	07000h–07FFFh
SA8	0000001xxx	32	08000h–0FFFFh
SA9	0000010xxx	32	10000h–17FFFh
SA10	0000011xxx	32	18000h–1FFFFh
SA11	0000100xxx	32	20000h–27FFFh
SA12	0000101xxx	32	28000h–2FFFFh
SA13	0000110xxx	32	30000h–37FFFh
SA14	0000111xxx	32	38000h–3FFFFh
SA15	0001000xxx	32	40000h–47FFFh
SA16	0001001xxx	32	48000h–4FFFFh
SA17	0001010xxx	32	50000h–57FFFh
SA18	0001011xxx	32	58000h–5FFFFh
SA19	0001100xxx	32	60000h–67FFFh
SA20	0001101xxx	32	68000h–6FFFFh
SA21	0001101xxx	32	70000h–77FFFh
SA22	0001111xxx	32	78000h–7FFFFh
SA23	0010000xxx	32	80000h–87FFFh
SA24	0010001xxx	32	88000h–8FFFFh
SA25	0010010xxx	32	90000h–97FFFh
SA26	0010011xxx	32	98000h–9FFFFh
SA27	0010100xxx	32	A0000h–A7FFFh
SA28	0010101xxx	32	A8000h–AFFFFh
SA29	0010110xxx	32	B0000h–B7FFFh
SA30	0010111xxx	32	B8000h–BFFFFh
SA31	0011000xxx	32	C0000h–C7FFFh
SA32	0011001xxx	32	C8000h–CFFFFh
SA33	0011010xxx	32	D0000h–D7FFFh
SA34	0011011xxx	32	D8000h–DFFFFh
SA35	0011000xxx	32	E0000h–E7FFFh
SA36	0011101xxx	32	E8000h–EFFFFh
SA37	0011110xxx	32	F0000h–F7FFFh
SA38	0011111xxx	32	F8000h–FFFFFh
SA39	0100000xxx	32	F9000h–107FFFh
SA40	0100001xxx	32	108000h–10FFFFh
SA41	0100010xxx	32	110000h–117FFFh
SA42	0101011xxx	32	118000h–11FFFFh
SA43	0100100xxx	32	120000h–127FFFh
SA44	0100101xxx	32	128000h–12FFFFh
SA45	0100110xxx	32	130000h–137FFFh
SA46	0100111xxx	32	138000h–13FFFFh
SA47	0101000xxx	32	140000h–147FFFh
SA48	0101001xxx	32	148000h–14FFFFh
SA49	0101010xxx	32	150000h–157FFFh
SA50	0101011xxx	32	158000h–15FFFFh
SA51	0101100xxx	32	160000h–167FFFh
SA52	0101101xxx	32	168000h–16FFFFh
SA53	0101110xxx	32	170000h–177FFFh
SA54	0101111xxx	32	178000h–17FFFFh

Table 3. Am29LV640MB Bottom Boot Sector Architecture (Continued)

Sector	Sector Address A21–A12	Sector Size (Kwords)	(x16) Address Range
SA55	0110000xxx	32	180000h–187FFFh
SA56	0110001xxx	32	188000h–18FFFFh
SA57	0110010xxx	32	190000h–197FFFh
SA58	0110011xxx	32	198000h–19FFFFh
SA59	0100100xxx	32	1A0000h–1A7FFFh
SA60	0110101xxx	32	1A8000h–1AFFFFh
SA61	0110110xxx	32	1B0000h–1B7FFFh
SA62	0110111xxx	32	1B8000h–1BFFFFh
SA63	0111000xxx	32	1C0000h–1C7FFFh
SA64	0111001xxx	32	1C8000h–1CFFFFh
SA65	0111010xxx	32	1D0000h–1D7FFFh
SA66	0111011xxx	32	1D8000h–1DFFFFh
SA67	0111100xxx	32	1E0000h–1E7FFFh
SA68	0111101xxx	32	1E8000h–1EFFFFh
SA69	0111110xxx	32	1F0000h–1F7FFFh
SA70	0111111xxx	32	1F8000h–1FFFFFh
SA71	1000000xxx	32	200000h–207FFFh
SA72	1000001xxx	32	208000h–20FFFFh
SA73	1000010xxx	32	210000h–217FFFh
SA74	1000011xxx	32	218000h–21FFFFh
SA75	1000100xxx	32	220000h–227FFFh
SA76	1000101xxx	32	228000h–22FFFFh
SA77	1000110xxx	32	230000h–237FFFh
SA78	1000111xxx	32	238000h–23FFFFh
SA79	1001000xxx	32	240000h–247FFFh
SA80	1001001xxx	32	248000h–24FFFFh
SA81	1001010xxx	32	250000h–257FFFh
SA82	1001011xxx	32	258000h–25FFFFh
SA83	1001100xxx	32	260000h–267FFFh
SA84	1001101xxx	32	268000h–26FFFFh
SA85	1001110xxx	32	270000h–277FFFh
SA86	1001111xxx	32	278000h–27FFFFh
SA87	1010000xxx	32	280000h–28FFFFh
SA88	1010001xxx	32	288000h–28FFFFh
SA89	1010010xxx	32	290000h–297FFFh
SA90	1010011xxx	32	298000h–29FFFFh
SA91	1010100xxx	32	2A0000h–2A7FFFh
SA92	1010101xxx	32	2A8000h–2AFFFFh
SA93	1010110xxx	32	2B0000h–2B7FFFh
SA94	1010111xxx	32	2B8000h–2BFFFFh
SA95	1011000xxx	32	2C0000h–2C7FFFh
SA96	1011001xxx	32	2C8000h–2CFFFFh
SA97	1011010xxx	32	2D0000h–2D7FFFh
SA98	1011011xxx	32	2D8000h–2DFFFFh
SA99	1011100xxx	32	2E0000h–2E7FFFh
SA100	1011101xxx	32	2E8000h–2EFFFFh
SA101	1011110xxx	32	2F0000h–2FFFFFh
SA102	1011111xxx	32	2F8000h–2FFFFFh
SA103	1100000xxx	32	300000h–307FFFh
SA104	1100001xxx	32	308000h–30FFFFh
SA105	1100010xxx	32	310000h–317FFFh
SA106	1100011xxx	32	318000h–31FFFFh
SA107	1100100xxx	32	320000h–327FFFh
SA108	1100101xxx	32	328000h–32FFFFh
SA109	1100110xxx	32	330000h–337FFFh

Table 3. Am29LV640MB Bottom Boot Sector Architecture (Continued)

Sector	Sector Address A21–A12	Sector Size (Kwords)	(x16) Address Range
SA110	1100111xxx	32	338000h–33FFFFh
SA111	1101000xxx	32	340000h–347FFFh
SA112	1101001xxx	32	348000h–34FFFFh
SA113	1101010xxx	32	350000h–357FFFh
SA114	1101011xxx	32	358000h–35FFFFh
SA115	1101100xxx	32	360000h–367FFFh
SA116	1101101xxx	32	368000h–36FFFFh
SA117	1101110xxx	32	370000h–377FFFh
SA118	1101111xxx	32	378000h–37FFFFh
SA119	1110000xxx	32	380000h–387FFFh
SA120	1110001xxx	32	388000h–38FFFFh
SA121	1110010xxx	32	390000h–397FFFh
SA122	1110011xxx	32	398000h–39FFFFh
SA123	1110100xxx	32	3A0000h–3A7FFFh
SA124	1110101xxx	32	3A8000h–3AFFFFh
SA125	1110110xxx	32	3B0000h–3B7FFFh
SA126	1110111xxx	32	3B8000h–3BFFFFh
SA127	1111000xxx	32	3C0000h–3C7FFFh
SA128	1111001xxx	32	3C8000h–3CFFFFh
SA129	1111010xxx	32	3D0000h–3D7FFFh
SA130	1111011xxx	32	3D8000h–3DFFFFh
SA131	1111100xxx	32	3E0000h–3E7FFFh
SA132	1111101xxx	32	3E8000h–3EFFFFh
SA133	1111110xxx	32	3F0000h–3F7FFFh
SA134	1111111000	32	3F8000h–3FFFFFh

Sector Group Protection and Unprotection

The hardware sector group protection feature disables both program and erase operations in any sector group. In this device, a sector group consists of four adjacent sectors that are protected or unprotected at the same time (see Tables 4 and 5). The hardware sector group unprotection feature re-enables both program and erase operations in previously protected sector groups. Sector group protection/unprotection can be implemented via two methods.

Sector protection/unprotection requires V_{ID} on the RE-SET# pin only, and can be implemented either in-system or via programming equipment. Figure 2 shows the algorithms and Figure 24 shows the timing diagram. This method uses standard microprocessor bus cycle timing. For sector group unprotect, all unprotected sector groups must first be protected prior to the first sector group unprotect write cycle.

The device is shipped with all sector groups unprotected. AMD offers the option of programming and protecting sector groups at its factory prior to shipping the device through AMD's ExpressFlash™ Service. Contact an AMD representative for details.

It is possible to determine whether a sector group is protected or unprotected. See the [Sector Group Protection and Unprotection](#) section for details.

Table 4. Am29LV640MT Top Boot Sector Protection

Sector	A21–A12	Sector/ Sector Block Size
SA0-SA3	00000XXXXX	256 (4x64) Kbytes
SA4-SA7	00001XXXXX	256 (4x64) Kbytes
SA8-SA11	00010XXXXX	256 (4x64) Kbytes
SA12-SA15	00011XXXXX	256 (4x64) Kbytes
SA16-SA19	00100XXXXX	256 (4x64) Kbytes
SA20-SA23	00101XXXXX	256 (4x64) Kbytes
SA24-SA27	00110XXXXX	256 (4x64) Kbytes
SA28-SA31	00111XXXXX	256 (4x64) Kbytes
SA32-SA35	01000XXXXX	256 (4x64) Kbytes
SA36-SA39	01001XXXXX	256 (4x64) Kbytes
SA40-SA43	01010XXXXX	256 (4x64) Kbytes
SA44-SA47	01011XXXXX	256 (4x64) Kbytes
SA48-SA51	01100XXXXX	256 (4x64) Kbytes
SA52-SA55	01101XXXXX	256 (4x64) Kbytes
SA56-SA59	01110XXXXX	256 (4x64) Kbytes
SA60-SA63	01111XXXXX	256 (4x64) Kbytes
SA64-SA67	10000XXXXX	256 (4x64) Kbytes
SA68-SA71	10001XXXXX	256 (4x64) Kbytes
SA72-SA75	10010XXXXX	256 (4x64) Kbytes
SA76-SA79	10011XXXXX	256 (4x64) Kbytes

Sector	A21–A12	Sector/ Sector Block Size
SA80-SA83	10100XXXXX	256 (4x64) Kbytes
SA84-SA87	10101XXXXX	256 (4x64) Kbytes
SA88-SA91	10110XXXXX	256 (4x64) Kbytes
SA92-SA95	10111XXXXX	256 (4x64) Kbytes
SA96-SA99	11000XXXXX	256 (4x64) Kbytes
SA100-SA103	11001XXXXX	256 (4x64) Kbytes
SA104-SA107	11010XXXXX	256 (4x64) Kbytes
SA108-SA111	11011XXXXX	256 (4x64) Kbytes
SA112-SA115	11100XXXXX	256 (4x64) Kbytes
SA116-SA119	11101XXXXX	256 (4x64) Kbytes
SA120-SA123	11110XXXXX	256 (4x64) Kbytes
SA124-SA126	1111100XXX 1111101XXX 1111110XXX	192 (3x64) Kbytes
SA127	1111111000	8 Kbytes
SA128	1111111001	8 Kbytes
SA129	1111111010	8 Kbytes
SA130	1111111011	8 Kbytes
SA131	1111111100	8 Kbytes
SA132	1111111101	8 Kbytes
SA133	1111111110	8 Kbytes
SA134	1111111111	8 Kbytes

Table 5. Am29LV640MB Bottom Boot Sector Protection

Sector	A21–A12	Sector/ Sector Block Size
SA0	0000000000	8 Kbytes
SA1	0000000001	8 Kbytes
SA2	0000000010	8 Kbytes
SA3	0000000011	8 Kbytes
SA4	0000000100	8 Kbytes
SA5	0000000101	8 Kbytes
SA6	0000000110	8 Kbytes
SA7	0000000111	8 Kbytes
SA8–SA10	0000001XXX, 0000010XXX, 0000011XXX,	192 (3x64) Kbytes
SA11–SA14	00001XXXXX	256 (4x64) Kbytes
SA15–SA18	00010XXXXX	256 (4x64) Kbytes
SA19–SA22	00011XXXXX	256 (4x64) Kbytes
SA23–SA26	00100XXXXX	256 (4x64) Kbytes
SA27–SA30	00101XXXXX	256 (4x64) Kbytes
SA31–SA34	00110XXXXX	256 (4x64) Kbytes
SA35–SA38	00111XXXXX	256 (4x64) Kbytes
SA39–SA42	01000XXXXX	256 (4x64) Kbytes
SA43–SA46	01001XXXXX	256 (4x64) Kbytes
SA47–SA50	01010XXXXX	256 (4x64) Kbytes
SA51–SA54	01011XXXXX	256 (4x64) Kbytes

Table 5. Am29LV640MB Bottom Boot Sector Protection (Continued)

Sector	A21–A12	Sector/ Sector Block Size
SA55–SA58	01100XXXXX	256 (4x64) Kbytes
SA59–SA62	01101XXXXX	256 (4x64) Kbytes
SA63–SA66	01110XXXXX	256 (4x64) Kbytes
SA67–SA70	01111XXXXX	256 (4x64) Kbytes
SA71–SA74	10000XXXXX	256 (4x64) Kbytes
SA75–SA78	10001XXXXX	256 (4x64) Kbytes
SA79–SA82	10010XXXXX	256 (4x64) Kbytes
SA83–SA86	10011XXXXX	256 (4x64) Kbytes
SA87–SA90	10100XXXXX	256 (4x64) Kbytes
SA91–SA94	10101XXXXX	256 (4x64) Kbytes
SA95–SA98	10110XXXXX	256 (4x64) Kbytes
SA99–SA102	10111XXXXX	256 (4x64) Kbytes
SA103–SA106	11000XXXXX	256 (4x64) Kbytes
SA107–SA110	11001XXXXX	256 (4x64) Kbytes
SA111–SA114	11010XXXXX	256 (4x64) Kbytes
SA115–SA118	11011XXXXX	256 (4x64) Kbytes
SA119–SA122	11100XXXXX	256 (4x64) Kbytes
SA123–SA126	11101XXXXX	256 (4x64) Kbytes
SA127–SA130	11110XXXXX	256 (4x64) Kbytes
SA131–SA134	11111XXXXX	256 (4x64) Kbytes

Write Protect (WP#)

The Write Protect function provides a hardware method of protecting the top two or bottom two sectors without using V_{ID} . WP# is one of two functions provided by the WP#/ACC input.

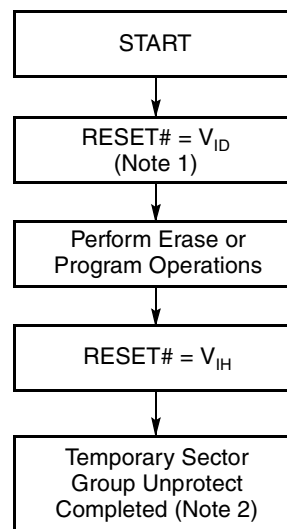
If the system asserts V_{IL} on the WP#/ACC pin, the device disables program and erase functions in the first or last sector independently of whether those sectors were protected or unprotected using the method described in “Sector Group Protection and Unprotection”. Note that if WP#/ACC is at V_{IL} when the device is in the standby mode, the maximum input load current is increased. See the table in “DC Characteristics”.

If the system asserts V_{IH} on the WP#/ACC pin, the device reverts to whether the top or bottom two sectors were previously set to be protected or unprotected using the method described in “Sector Group Protection and Unprotection”. *Note: No external pullup is necessary since the WP#/ACC pin has internal pullup to V_{CC}*

Temporary Sector Group Unprotect

(Note: In this device, a sector group consists of four adjacent sectors that are protected or unprotected at the same time (see Table 5).

This feature allows temporary unprotection of previously protected sector groups to change data in-system. The Sector Group Unprotect mode is activated by setting the RESET# pin to V_{ID} . During this mode, formerly protected sector groups can be programmed or erased by selecting the sector group addresses. Once V_{ID} is removed from the RESET# pin, all the previously protected sector groups are protected again. Figure 1 shows the algorithm, and Figure 23 shows the timing diagrams, for this feature.



Notes:

1. All protected sector groups unprotected (If WP# = V_{IL} , the first or last sector will remain protected).
2. All previously protected sector groups are protected once again.

Figure 1. Temporary Sector Group Unprotect Operation

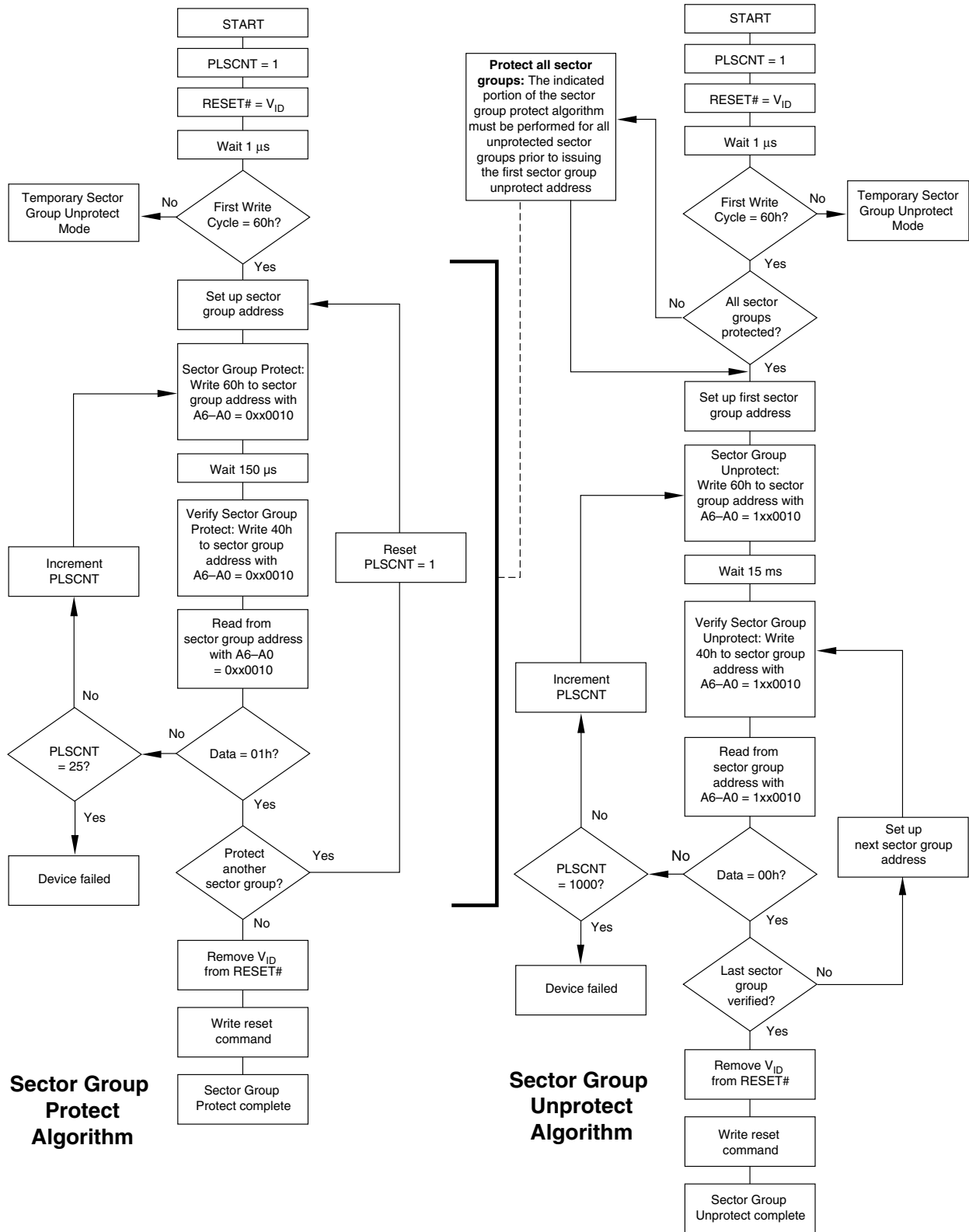


Figure 2. In-System Sector Group Protect/Unprotect Algorithms

SecSi (Secured Silicon) Sector Flash Memory Region

The SecSi (Secured Silicon) Sector feature provides a Flash memory region that enables permanent part identification through an Electronic Serial Number (ESN). The SecSi Sector is 128 words in length, and uses a SecSi Sector Indicator Bit (DQ7) to indicate whether or not the SecSi Sector is locked when shipped from the factory. This bit is permanently set at the factory and cannot be changed, which prevents cloning of a factory locked part. This ensures the security of the ESN once the product is shipped to the field.

AMD offers the device with the SecSi Sector either factory locked or customer lockable. The factory-locked version is always protected when shipped from the factory, and has the SecSi (Secured Silicon) Sector Indicator Bit permanently set to a “1.” The customer-lockable version is shipped with the SecSi Sector unprotected, allowing customers to program the sector after receiving the device. The customer-lockable version also has the SecSi Sector Indicator Bit permanently set to a “0.” Thus, the SecSi Sector Indicator Bit prevents customer-lockable devices from being used to replace devices that are factory locked.

The SecSi sector address space in this device is allocated as follows:

Table 6. SecSi Sector Contents

SecSi Sector Address Range x16	Standard Factory Locked	ExpressFlash Factory Locked	Customer Lockable
000000h–000007h	ESN	ESN or determined by customer	Determined by customer
000008h–00007Fh	Unavailable	Determined by customer	

The system accesses the SecSi Sector through a command sequence (see “Enter SecSi Sector/Exit SecSi Sector Command Sequence”). After the system has written the Enter SecSi Sector command sequence, it may read the SecSi Sector by using the addresses normally occupied by the first sector (SA0). This mode of operation continues until the system issues the Exit SecSi Sector command sequence, or until power is removed from the device. On power-up, or following a hardware reset, the device reverts to sending commands to sector SA0. *Note that the ACC function and unlock bypass modes are not available when the SecSi Sector is enabled.*

Factory Locked: SecSi Sector Programmed and Protected At the Factory

In devices with an ESN, the SecSi Sector is protected when the device is shipped from the factory. The SecSi Sector cannot be modified in any way. See [Table 6](#) for SecSi Sector addressing.

Customers may opt to have their code programmed by AMD through the AMD ExpressFlash service. The devices are then shipped from AMD’s factory with the SecSi Sector permanently locked. Contact an AMD representative for details on using AMD’s ExpressFlash service.

Customer Lockable: SecSi Sector NOT Programmed or Protected At the Factory

As an alternative to the factory-locked version, the device may be ordered such that the customer may program and protect the 128-word/256 bytes SecSi sector.

The system may program the SecSi Sector using the write-buffer, accelerated and/or unlock bypass methods, in addition to the standard programming command sequence. See [Command Definitions](#).

Programming and protecting the SecSi Sector must be used with caution since, once protected, there is no procedure available for unprotecting the SecSi Sector area and none of the bits in the SecSi Sector memory space can be modified in any way.

The SecSi Sector area can be protected using one of the following procedures:

- Write the three-cycle Enter SecSi Sector Region command sequence, and then follow the in-system sector protect algorithm as shown in Figure 2, except that *RESET#* may be at either V_{IH} or V_{ID} . This allows in-system protection of the SecSi Sector without raising any device pin to a high voltage. Note that this method is only applicable to the SecSi Sector.
- To verify the protect/unprotect status of the SecSi Sector, follow the algorithm shown in Figure 3.

Once the SecSi Sector is programmed, locked and verified, the system must write the Exit SecSi Sector Region command sequence to return to reading and writing within the remainder of the array.

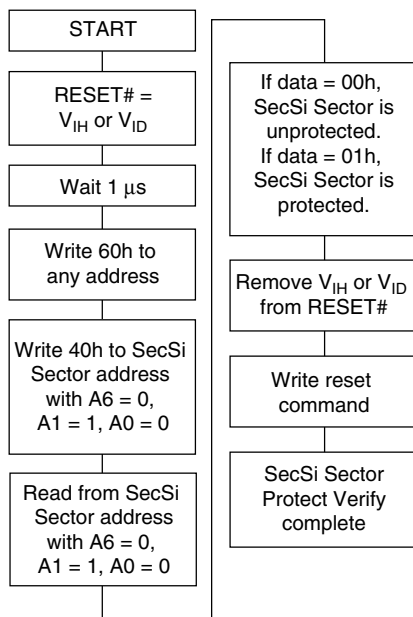


Figure 3. SecSi Sector Protect Verify

Hardware Data Protection

The command sequence requirement of unlock cycles for programming or erasing provides data protection against inadvertent writes (refer to Tables 11 and 12 for command definitions). In addition, the following

hardware data protection measures prevent accidental erasure or programming, which might otherwise be caused by spurious system level signals during V_{CC} power-up and power-down transitions, or from system noise.

Low V_{CC} Write Inhibit

When V_{CC} is less than V_{LKO} , the device does not accept any write cycles. This protects data during V_{CC} power-up and power-down. The command register and all internal program/erase circuits are disabled, and the device resets to the read mode. Subsequent writes are ignored until V_{CC} is greater than V_{LKO} . The system must provide the proper signals to the control pins to prevent unintentional writes when V_{CC} is greater than V_{LKO} .

Write Pulse “Glitch” Protection

Noise pulses of less than 5 ns (typical) on $OE\#$, $CE\#$ or $WE\#$ do not initiate a write cycle.

Logical Inhibit

Write cycles are inhibited by holding any one of $OE\# = V_{IL}$, $CE\# = V_{IH}$ or $WE\# = V_{IH}$. To initiate a write cycle, $CE\#$ and $WE\#$ must be a logical zero while $OE\#$ is a logical one.

Power-Up Write Inhibit

If $WE\# = CE\# = V_{IL}$ and $OE\# = V_{IH}$ during power up, the device does not accept commands on the rising edge of $WE\#$. The internal state machine is automatically reset to the read mode on power-up.

COMMON FLASH MEMORY INTERFACE (CFI)

The Common Flash Interface (CFI) specification outlines device and host system software interrogation handshake, which allows specific vendor-specified software algorithms to be used for entire families of devices. Software support can then be device-independent, JEDEC ID-independent, and forward- and backward-compatible for the specified flash device families. Flash vendors can standardize their existing interfaces for long-term compatibility.

This device enters the CFI Query mode when the system writes the CFI Query command, 98h, to address 55h, any time the device is ready to read array data. The system can read CFI information at the addresses given in Tables 7–10. To terminate reading CFI data, the system must write the reset command.

The system can also write the CFI query command when the device is in the autoselect mode. The device enters the CFI query mode, and the system can read CFI data at the addresses given in Tables 7–10. The system must write the reset command to return the device to reading array data.

For further information, please refer to the CFI Specification and CFI Publication 100, available via the World Wide Web at <http://www.amd.com/flash/cfi>. Alternatively, contact an AMD representative for copies of these documents.

Table 7. CFI Query Identification String

Addresses (x16)	Data	Description
10h 11h 12h	0051h 0052h 0059h	Query Unique ASCII string "QRY"
13h 14h	0002h 0000h	Primary OEM Command Set
15h 16h	0040h 0000h	Address for Primary Extended Table
17h 18h	0000h 0000h	Alternate OEM Command Set (00h = none exists)
19h 1Ah	0000h 0000h	Address for Alternate OEM Extended Table (00h = none exists)

Table 8. System Interface String

Addresses (x16)	Data	Description
1Bh	0027h	V _{CC} Min. (write/erase) D7–D4: volt, D3–D0: 100 millivolt
1Ch	0036h	V _{CC} Max. (write/erase) D7–D4: volt, D3–D0: 100 millivolt
1Dh	0000h	V _{PP} Min. voltage (00h = no V _{PP} pin present)
1Eh	0000h	V _{PP} Max. voltage (00h = no V _{PP} pin present)
1Fh	0007h	Typical timeout per single byte/word write 2 ^N μs
20h	0007h	Typical timeout for Min. size buffer write 2 ^N μs (00h = not supported)
21h	000Ah	Typical timeout per individual block erase 2 ^N ms
22h	0000h	Typical timeout for full chip erase 2 ^N ms (00h = not supported)
23h	0001h	Max. timeout for byte/word write 2 ^N times typical
24h	0005h	Max. timeout for buffer write 2 ^N times typical
25h	0004h	Max. timeout per individual block erase 2 ^N times typical
26h	0000h	Max. timeout for full chip erase 2 ^N times typical (00h = not supported)

Table 9. Device Geometry Definition

Addresses (x16)	Data	Description
27h	0017h	Device Size = 2^N byte
28h 29h	0002h 0000h	Flash Device Interface description (refer to CFI publication 100)
2Ah 2Bh	0005h 0000h	Max. number of byte in multi-byte write = 2^N (00h = not supported)
2Ch	0002h	Number of Erase Block Regions within device (01h = uniform device, 02h = boot device)
2Dh 2Eh 2Fh 30h	007Fh 0000h 0020h 0000h	Erase Block Region 1 Information (refer to the CFI specification or CFI publication 100)
31h 32h 33h 34h	007Eh 0000h 0000h 0001h	Erase Block Region 2 Information (refer to CFI publication 100)
35h 36h 37h 38h	0000h 0000h 0000h 0000h	Erase Block Region 3 Information (refer to CFI publication 100)
39h 3Ah 3Bh 3Ch	0000h 0000h 0000h 0000h	Erase Block Region 4 Information (refer to CFI publication 100)

Table 10. Primary Vendor-Specific Extended Query

Addresses (x16)	Data	Description
40h 41h 42h	0050h 0052h 0049h	Query-unique ASCII string "PRI"
43h	0031h	Major version number, ASCII
44h	0033h	Minor version number, ASCII
45h	0008h	Address Sensitive Unlock (Bits 1-0) 0 = Required, 1 = Not Required Process Technology (Bits 7-2) 0010b = 0.23 μm MirrorBit
46h	0002h	Erase Suspend 0 = Not Supported, 1 = To Read Only, 2 = To Read & Write
47h	0001h	Sector Protect 0 = Not Supported, X = Number of sectors in per group
48h	0001h	Sector Temporary Unprotect 00 = Not Supported, 01 = Supported
49h	0004h	Sector Protect/Unprotect scheme 04 = 29LV800 mode
4Ah	0000h	Simultaneous Operation 00 = Not Supported, X = Number of Sectors in Bank
4Bh	0000h	Burst Mode Type 00 = Not Supported, 01 = Supported
4Ch	0001h	Page Mode Type 00 = Not Supported, 01 = 4 Word Page, 02 = 8 Word Page
4Dh	00B5h	ACC (Acceleration) Supply Minimum 00h = Not Supported, D7-D4: Volt, D3-D0: 100 mV
4Eh	00C5h	ACC (Acceleration) Supply Maximum 00h = Not Supported, D7-D4: Volt, D3-D0: 100 mV
4Fh	0002h/ 0003h	Top/Bottom Boot Sector Flag 00h = Uniform Device without WP# protect, 02h = Bottom Boot Device, 03h = Top Boot Device, 04h = Uniform sectors bottom WP# protect, 05h = Uniform sectors top WP# protect
50h	0001h	Program Suspend 00h = Not Supported, 01h = Supported

COMMAND DEFINITIONS

Writing specific address and data commands or sequences into the command register initiates device operations. Tables 11 and 12 define the valid register command sequences. *Writing incorrect address and data values or writing them in the improper sequence may place the device in an unknown state. A reset command is then required to return the device to reading array data.*

All addresses are latched on the falling edge of WE# or CE#, whichever happens later. All data is latched on the rising edge of WE# or CE#, whichever happens

first. Refer to the [AC Characteristics](#) section for timing diagrams.

Reading Array Data

The device is automatically set to reading array data after device power-up. No commands are required to retrieve data. The device is ready to read array data after completing an Embedded Program or Embedded Erase algorithm.

After the device accepts an Erase Suspend command, the device enters the erase-suspend-read mode, after which the system can read data from any

non-erase-suspended sector. After completing a programming operation in the Erase Suspend mode, the system may once again read array data with the same exception. See the [Erase Suspend/Erase Resume Commands](#) section for more information.

The system *must* issue the reset command to return the device to the read (or erase-suspend-read) mode if DQ5 goes high during an active program or erase operation, or if the device is in the autoselect mode. See the next section, [Reset Command](#), for more information.

See also [Requirements for Reading Array Data](#) in the [Device Bus Operations](#) section for more information. The [Flash Read-Only Operations](#) table provides the read parameters, and Figure 14 shows the timing diagram.

Reset Command

Writing the reset command resets the device to the read or erase-suspend-read mode. Address bits are don't cares for this command.

The reset command may be written between the sequence cycles in an erase command sequence before erasing begins. This resets the device to the read mode. Once erasure begins, however, the device ignores reset commands until the operation is complete.

The reset command may be written between the sequence cycles in a program command sequence before programming begins. This resets the device to the read mode. If the program command sequence is written while the device is in the Erase Suspend mode, writing the reset command returns the device to the erase-suspend-read mode. Once programming begins, however, the device ignores reset commands until the operation is complete.

The reset command may be written between the sequence cycles in an autoselect command sequence. Once in the autoselect mode, the reset command must be written to return to the read mode. If the device entered the autoselect mode while in the Erase Suspend mode, writing the reset command returns the device to the erase-suspend-read mode.

If DQ5 goes high during a program or erase operation, writing the reset command returns the device to the read mode (or erase-suspend-read mode if the device was in Erase Suspend).

Note that if DQ1 goes high during a Write Buffer Programming operation, the system must write the Write-to-Buffer-Abort Reset command sequence to reset the device for the next operation.

Autoselect Command Sequence

The autoselect command sequence allows the host system to read several identifier codes at specific addresses:

Identifier Code	A7:A0 (x16)
Manufacturer ID	00h
Device ID, Cycle 1	01h
Device ID, Cycle 2	0Eh
Device ID, Cycle 3	0Fh
SecSi Sector Factory Protect	03h
Sector Protect Verify	(SA)02h

Note: The device ID is read over three cycles. SA = Sector Address

Tables 11 and 12 show the address and data requirements. This method is an alternative to that shown in Table 4, which is intended for PROM programmers and requires V_{ID} on address pin A9. The autoselect command sequence may be written to an address that is either in the read or erase-suspend-read mode. The autoselect command may not be written while the device is actively programming or erasing.

The autoselect command sequence is initiated by first writing two unlock cycles. This is followed by a third write cycle that contains the autoselect command. The device then enters the autoselect mode. The system may read at any address any number of times without initiating another autoselect command sequence.

The system must write the reset command to return to the read mode (or erase-suspend-read mode if the device was previously in Erase Suspend).

Enter SecSi Sector/Exit SecSi Sector Command Sequence

The SecSi Sector region provides a secured data area containing an 8-word random Electronic Serial Number (ESN). The system can access the SecSi Sector region by issuing the three-cycle Enter SecSi Sector command sequence. The device continues to access the SecSi Sector region until the system issues the four-cycle Exit SecSi Sector command sequence. The Exit SecSi Sector command sequence returns the device to normal operation. Tables 11 and 12 show the address and data requirements for both command sequences. See also "SecSi (Secured Silicon) Sector Flash Memory Region" for further information.

Word Program Command Sequence

Programming is a four-bus-cycle operation. The program command sequence is initiated by writing two unlock write cycles, followed by the program set-up command. The program address and data are written next, which in turn initiate the Embedded Program algorithm. The system is *not* required to provide further controls or timings. The device automatically provides

internally generated program pulses and verifies the programmed cell margin. Tables 11 and 12 show the address and data requirements for the word program command sequence. *Note that the autoselect and CFI functions are unavailable when a program operation is in progress.*

When the Embedded Program algorithm is complete, the device then returns to the read mode and addresses are no longer latched. The system can determine the status of the program operation by using DQ7 or DQ6. Refer to the [Write Operation Status](#) section for information on these status bits.

Any commands written to the device during the Embedded Program Algorithm are ignored. Note that a **hardware reset** immediately terminates the program operation. The program command sequence should be reinitiated once the device has returned to the read mode, to ensure data integrity.

Programming is allowed in any sequence and across sector boundaries. **A bit cannot be programmed from “0” back to a “1.”** Attempting to do so may cause the device to set DQ5 = 1, or cause the DQ7 and DQ6 status bits to indicate the operation was successful. However, a succeeding read will show that the data is still “0.” Only erase operations can convert a “0” to a “1.”

Unlock Bypass Command Sequence

The unlock bypass feature allows the system to program words to the device faster than using the standard program command sequence. The unlock bypass command sequence is initiated by first writing two unlock cycles. This is followed by a third write cycle containing the unlock bypass command, 20h. The device then enters the unlock bypass mode. A two-cycle unlock bypass program command sequence is all that is required to program in this mode. The first cycle in this sequence contains the unlock bypass program command, A0h; the second cycle contains the program address and data. Additional data is programmed in the same manner. This mode dispenses with the initial two unlock cycles required in the standard program command sequence, resulting in faster total programming time. Tables 11 and 12 show the requirements for the command sequence.

During the unlock bypass mode, only the Unlock Bypass Program and Unlock Bypass Reset commands are valid. To exit the unlock bypass mode, the system must issue the two-cycle unlock bypass reset command sequence. The first cycle must contain the data 90h. The second cycle must contain the data 00h. The device then returns to the read mode.

Write Buffer Programming

Write Buffer Programming allows the system write to a maximum of 16 words/32 bytes in one programming operation. This results in faster effective programming time than the standard programming algorithms. The Write Buffer Programming command sequence is initiated by first writing two unlock cycles. This is followed by a third write cycle containing the Write Buffer Load command written at the Sector Address in which programming will occur. The fourth cycle writes the sector address and the number of word locations, minus one, to be programmed. For example, if the system will program 6 unique address locations, then 05h should be written to the device. This tells the device how many write buffer addresses will be loaded with data and therefore when to expect the Program Buffer to Flash command. The number of locations to program cannot exceed the size of the write buffer or the operation will abort.

The fifth cycle writes the first address location and data to be programmed. The write-buffer-page is selected by address bits $A_{MAX}-A_4$. All subsequent address/data pairs must fall within the selected-write-buffer-page. The system then writes the remaining address/data pairs into the write buffer. Write buffer locations may be loaded in any order.

The write-buffer-page address must be the same for all address/data pairs loaded into the write buffer. (This means Write Buffer Programming cannot be performed across multiple write-buffer pages. This also means that Write Buffer Programming cannot be performed across multiple sectors. If the system attempts to load programming data outside of the selected write-buffer page, the operation will abort.

Note that if a Write Buffer address location is loaded multiple times, the address/data pair counter will be decremented for every data load operation. The host system must therefore account for loading a write-buffer location more than once. The counter decrements for each data load operation, not for each unique write-buffer-address location. Note also that if an address location is loaded more than once into the buffer, the final data loaded for that address will be programmed.

Once the specified number of write buffer locations have been loaded, the system must then write the Program Buffer to Flash command at the sector address. Any other address and data combination aborts the Write Buffer Programming operation. The device then begins programming. Data polling should be used while monitoring the last address location loaded into the write buffer. DQ7, DQ6, DQ5, and DQ1 should be monitored to determine the device status during Write Buffer Programming.

The write-buffer programming operation can be suspended using the standard program suspend/resume commands. Upon successful completion of the Write Buffer Programming operation, the device is ready to execute the next command.

The Write Buffer Programming Sequence can be aborted in the following ways:

- Load a value that is greater than the page buffer size during the Number of Locations to Program step.
- Write to an address in a sector different than the one specified during the Write-Buffer-Load command.
- Write an Address/Data pair to a different write-buffer-page than the one selected by the Starting Address during the write buffer data loading stage of the operation.
- Write data other than the Confirm Command after the specified number of data load cycles.

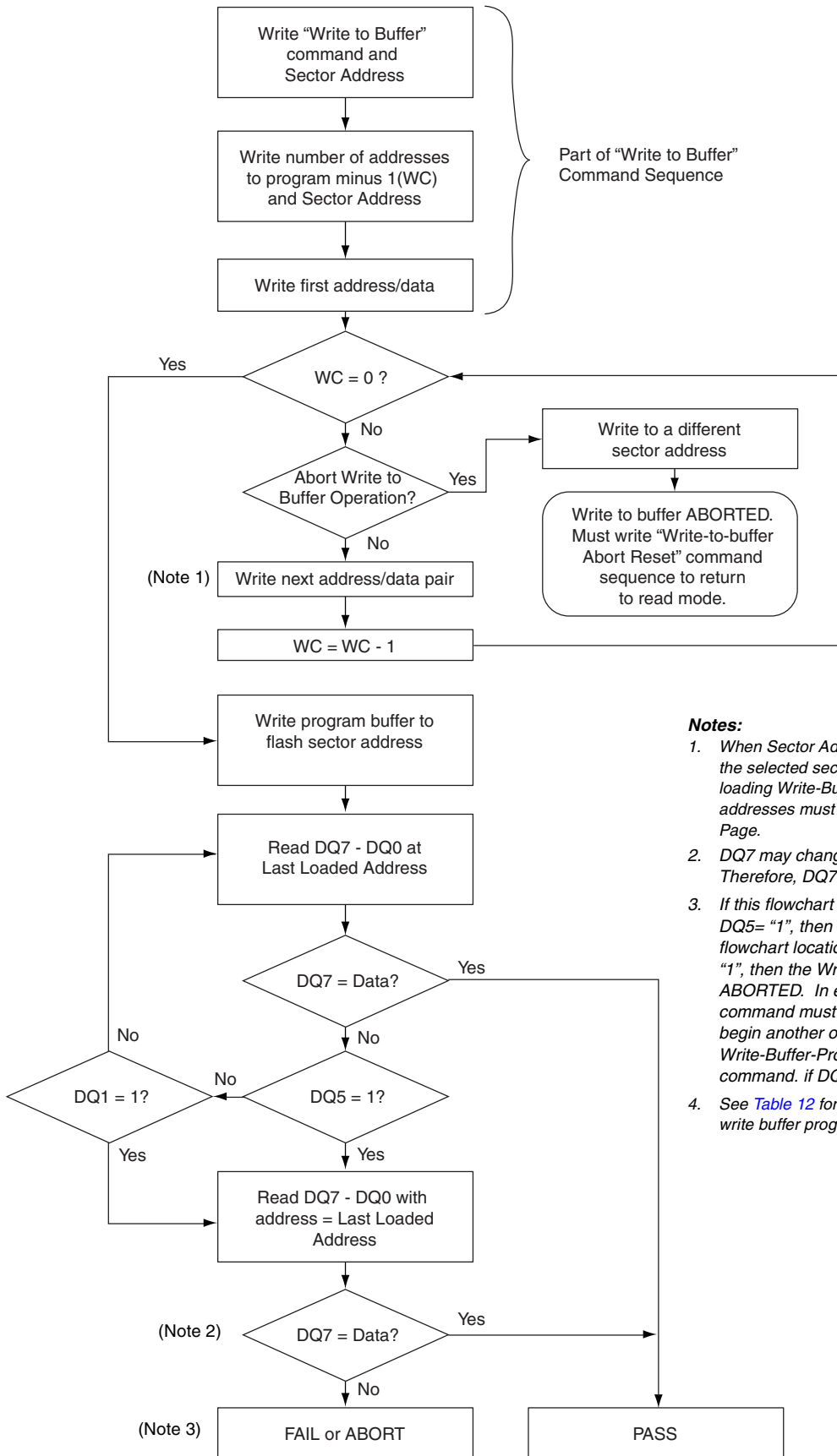
The abort condition is indicated by $DQ1 = 1$, $DQ7 = DATA\#$ (for the last address location loaded), $DQ6 = \text{toggle}$, and $DQ5=0$. A Write-to-Buffer-Abort Reset

command sequence must be written to reset the device for the next operation. Note that the full 3-cycle Write-to-Buffer-Abort Reset command sequence is required when using Write-Buffer-Programming features in Unlock Bypass mode.

Accelerated Program

The device offers accelerated program operations through the WP#/ACC pin. When the system asserts V_{HH} on the WP#/ACC pin, the device automatically enters the Unlock Bypass mode. The system may then write the two-cycle Unlock Bypass program command sequence. The device uses the higher voltage on the WP#/ACC pin to accelerate the operation. *Note that the WP#/ACC pin must not be at V_{HH} for operations other than accelerated programming, or device damage may result. In addition, no external pullup is necessary since the WP#/ACC pin has internal pullup to V_{CC} .*

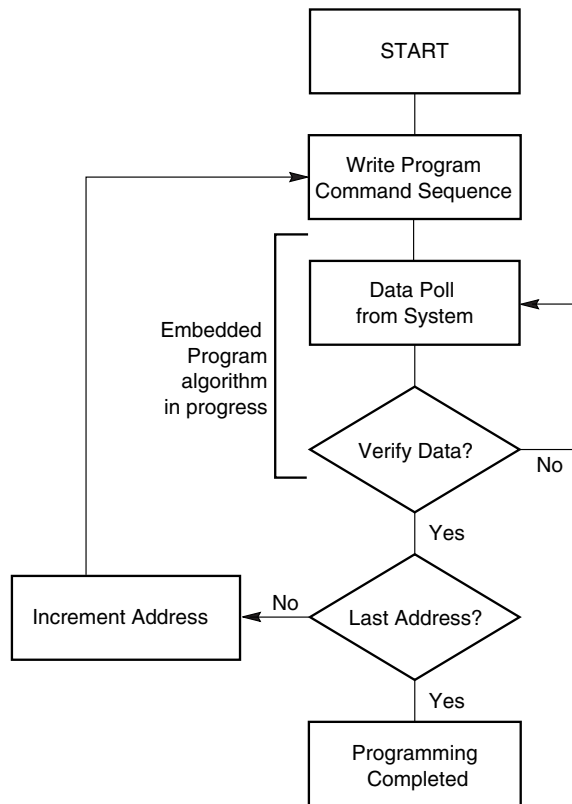
Figure 5 illustrates the algorithm for the program operation. Refer to the [Erase and Program Operations](#) table in the AC Characteristics section for parameters, and Figure 17 for timing diagrams.



Notes:

1. When Sector Address is specified, any address in the selected sector is acceptable. However, when loading Write-Buffer address locations with data, all addresses must fall within the selected Write-Buffer Page.
2. DQ7 may change simultaneously with DQ5. Therefore, DQ7 should be verified.
3. If this flowchart location was reached because DQ5= "1", then the device FAILED. If this flowchart location was reached because DQ1= "1", then the Write to Buffer operation was ABORTED. In either case, the proper reset command must be written before the device can begin another operation. If DQ1=1, write the Write-Buffer-Programming-Abort-Reset command. if DQ5=1, write the Reset command.
4. See Table 12 for command sequences required for write buffer programming.

Figure 4. Write Buffer Programming Operation



Note: See [Table 12](#) for program command sequence.

Figure 5. Program Operation

Program Suspend/Program Resume Command Sequence

The Program Suspend command allows the system to interrupt a programming operation or a Write to Buffer programming operation so that data can be read from any non-suspended sector. When the Program Suspend command is written during a programming process, the device halts the program operation within 15 μ s maximum (5 μ s typical) and updates the status bits. Addresses are not required when writing the Program Suspend command.

After the programming operation has been suspended, the system can read array data from any non-suspended sector. The Program Suspend command may also be issued during a programming operation while an erase is suspended. In this case, data may be read from any addresses not in Erase Suspend or Program Suspend. If a read is needed from the SecSi Sector area (One-time Program area), then user must use the proper command sequences to enter and exit this region.

The system may also write the autoselect command sequence when the device is in the Program Suspend mode. The system can read as many autoselect codes as required. When the device exits the autoselect mode, the device reverts to the Program Suspend mode, and is ready for another valid operation. See Autoselect Command Sequence for more information.

After the Program Resume command is written, the device reverts to programming. The system can determine the status of the program operation using the DQ7 or DQ6 status bits, just as in the standard program operation. See [Write Operation Status](#) for more information.

The system must write the Program Resume command (address bits are don't care) to exit the Program Suspend mode and continue the programming operation. Further writes of the Resume command are ignored. Another Program Suspend command can be written after the device has resume programming.

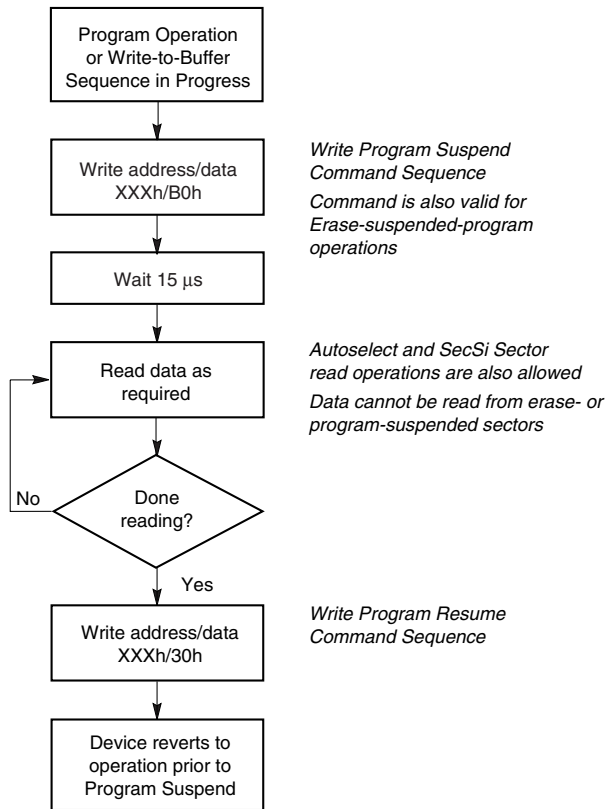


Figure 6. Program Suspend/Program Resume

Chip Erase Command Sequence

Chip erase is a six bus cycle operation. The chip erase command sequence is initiated by writing two unlock cycles, followed by a set-up command. Two additional unlock write cycles are then followed by the chip erase command, which in turn invokes the Embedded Erase algorithm. The device does *not* require the system to preprogram prior to erase. The Embedded Erase algorithm automatically preprograms and verifies the entire memory for an all zero data pattern prior to electrical erase. The system is not required to provide any controls or timings during these operations. Tables 11 and 12 shows the address and data requirements for the chip erase command sequence. *Note that the autoselect and CFI functions are unavailable when an erase operation is in progress.*

When the Embedded Erase algorithm is complete, the device returns to the read mode and addresses are no longer latched. The system can determine the status of the erase operation by using DQ7, DQ6, or DQ2. Refer to the [Write Operation Status](#) section for information on these status bits.

Any commands written during the chip erase operation are ignored. However, note that a **hardware reset** immediately terminates the erase operation. If that occurs, the chip erase command sequence should be reinitiated once the device has returned to reading array data, to ensure data integrity.

Figure 7 illustrates the algorithm for the erase operation. Refer to the [Erase and Program Operations](#) tables in the AC Characteristics section for parameters, and Figure 19 section for timing diagrams.

Sector Erase Command Sequence

Sector erase is a six bus cycle operation. The sector erase command sequence is initiated by writing two unlock cycles, followed by a set-up command. Two additional unlock cycles are written, and are then followed by the address of the sector to be erased, and the sector erase command. Tables 11 and 12 shows the address and data requirements for the sector erase command sequence. *Note that the autoselect and CFI functions are unavailable when an erase operation is in progress.*

The device does *not* require the system to preprogram prior to erase. The Embedded Erase algorithm automatically programs and verifies the entire memory for an all zero data pattern prior to electrical erase. The system is not required to provide any controls or timings during these operations.

After the command sequence is written, a sector erase time-out of 50 μs occurs. During the time-out period, additional sector addresses and sector erase commands may be written. Loading the sector erase buffer may be done in any sequence, and the number of sectors may be from one sector to all sectors. The time between these additional cycles must be less than 50 μs, otherwise erasure may begin. Any sector erase address and command following the exceeded time-out may or may not be accepted. It is recommended that processor interrupts be disabled during this time to ensure all commands are accepted. The interrupts can be re-enabled after the last Sector Erase command is written. **Any command other than Sector Erase or Erase Suspend during the time-out period resets the device to the read mode.** The system must rewrite the command sequence and any additional addresses and commands.

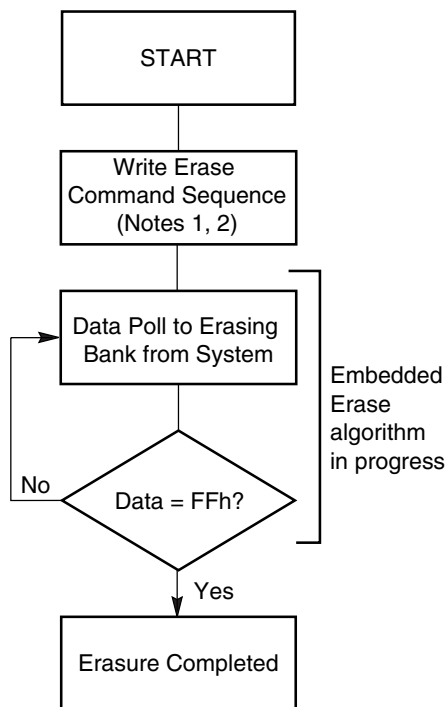
The system can monitor DQ3 to determine if the sector erase timer has timed out (See the section on DQ3: Sector Erase Timer.). The time-out begins from the ris-

ing edge of the final WE# pulse in the command sequence.

When the Embedded Erase algorithm is complete, the device returns to reading array data and addresses are no longer latched. The system can determine the status of the erase operation by reading DQ7, DQ6, or DQ2 in the erasing sector. Refer to the [Write Operation Status](#) section for information on these status bits.

Once the sector erase operation has begun, only the Erase Suspend command is valid. All other commands are ignored. However, note that a **hardware reset** immediately terminates the erase operation. If that occurs, the sector erase command sequence should be reinitiated once the device has returned to reading array data, to ensure data integrity.

Figure 7 illustrates the algorithm for the erase operation. Refer to the [Erase and Program Operations](#) tables in the AC Characteristics section for parameters, and Figure 19 section for timing diagrams.



Notes:

1. See [Table 12](#) and [Table 12](#) for erase command sequence.
2. See the section on DQ3 for information on the sector erase timer.

Figure 7. Erase Operation

Erase Suspend/Erase Resume Commands

The Erase Suspend command, B0h, allows the system to interrupt a sector erase operation and then read data from, or program data to, any sector not selected for erasure. This command is valid only during the sector erase operation, including the 50 μ s time-out period during the sector erase command sequence. The Erase Suspend command is ignored if written during the chip erase operation or Embedded Program algorithm.

When the Erase Suspend command is written during the sector erase operation, the device requires a typical of 5 μ s (maximum of 20 μ s) to suspend the erase operation. However, when the Erase Suspend command is written during the sector erase time-out, the device immediately terminates the time-out period and suspends the erase operation.

After the erase operation has been suspended, the device enters the erase-suspend-read mode. The system can read data from or program data to any sector not selected for erasure. (The device “erase suspends” all sectors selected for erasure.) Reading at any address within erase-suspended sectors produces status information on DQ7–DQ0. The system can use DQ7, or DQ6 and DQ2 together, to determine if a sector is actively erasing or is erase-suspended. Refer to the [Write Operation Status](#) section for information on these status bits.

After an erase-suspended program operation is complete, the device returns to the erase-suspend-read mode. The system can determine the status of the program operation using the DQ7 or DQ6 status bits, just as in the standard word program operation. Refer to the [Write Operation Status](#) section for more information.

In the erase-suspend-read mode, the system can also issue the autoselect command sequence. Refer to the [Sector Group Protection and Unprotection](#) and [Autoselect Command Sequence](#) sections for details.

To resume the sector erase operation, the system must write the Erase Resume command. The address of the erase-suspended sector is required when writing this command. Further writes of the Resume command are ignored. Another Erase Suspend command can be written after the chip has resumed erasing.

Command Definitions

Table 11. Command Definitions

Command Sequence (Notes)	Cycles	Bus Cycles (Notes 1–4)												
		First		Second		Third		Fourth		Fifth		Sixth		
		Addr	Data	Addr	Data	Addr	Data	Addr	Data	Addr	Data	Addr	Data	
Read (Note 5)	1	RA	RD											
Reset (Note 6)	1	XXX	F0											
Autoselect (Note 7)	Manufacturer ID	4	555	AA	2AA	55	555	90	X00	0001				
	Device ID (Note 8)	6	555	AA	2AA	55	555	90	X01	227E	X0E	2210	X0F	2200/ 2201
	SecSi™ Sector Factory Protect (Note 9)	4	555	AA	2AA	55	555	90	X03	(Note 9)				
	Sector Group Protect Verify (Note 10)	4	555	AA	2AA	55	555	90	(SA)X02	00/01				
Enter SecSi Sector Region	3	555	AA	2AA	55	555	88							
Exit SecSi Sector Region	4	555	AA	2AA	55	555	90	XXX	00					
Program	4	555	AA	2AA	55	555	A0	PA	PD					
Write to Buffer (Note 11)	6	555	AA	2AA	55	SA	25	SA	WC	PA	PD	WBL	PD	
Program Buffer to Flash	1	SA	29											
Write to Buffer Abort Reset (Note 12)	3	555	AA	2AA	55	555	F0							
Unlock Bypass	3	555	AA	2AA	55	555	20							
Unlock Bypass Program (Note 13)	2	XXX	A0	PA	PD									
Unlock Bypass Reset (Note 14)	2	XXX	90	XXX	00									
Chip Erase	6	555	AA	2AA	55	555	80	555	AA	2AA	55	555	10	
Sector Erase	6	555	AA	2AA	55	555	80	555	AA	2AA	55	SA	30	
Program/Erase Suspend (Note 15)	1	BA	B0											
Program/Erase Resume (Note 16)	1	BA	30											
CFI Query (Note 17)	1	55	98											

Legend:

X = Don't care

RA = Read Address of the memory location to be read.

RD = Read Data read from location RA during read operation.

PA = Program Address. Addresses latch on the falling edge of the WE# or CE# pulse, whichever happens later.

PD = Program Data for location PA. Data latches on the rising edge of WE# or CE# pulse, whichever happens first.

SA = Sector Address of sector to be verified (in autoselect mode) or erased. Address bits A21–A15 uniquely select any sector.

WBL = Write Buffer Location. Address must be within the same write buffer page as PA.

WC = Word Count. Number of write buffer locations to load minus 1.

Notes:

- See Table 1 for description of bus operations.
- All values are in hexadecimal.
- Except for the read cycle and the fourth cycle of the autoselect command sequence, all bus cycles are write cycles.
- During unlock cycles, when lower address bits are 555 or 2AAh as shown in table, address bits higher than A11 (except where BA is required) and data bits higher than DQ7 are don't cares.
- No unlock or command cycles required when device is in read mode.
- The Reset command is required to return to the read mode (or to the erase-suspend-read mode if previously in Erase Suspend) when the device is in the autoselect mode, or if DQ5 goes high while the device is providing status information.
- The fourth cycle of the autoselect command sequence is a read cycle. Data bits DQ15–DQ8 are don't care. Except RD, PD and WC. See the [Autoselect Command Sequence](#) section for more information.
- The device ID must be read in three cycles. The data is 2201h for top boot and 2200h for bottom boot.
- If WP# protects the top two address sectors, the data is 98h for factory locked and 18h for not factory locked. If WP# protects the bottom two address sectors, the data is 88h for factory locked and 08h for not factory locked.
- The data is 00h for an unprotected sector group and 01h for a protected sector group.
- The total number of cycles in the command sequence is determined by the number of words written to the write buffer. The maximum number of cycles in the command sequence is 21.
- Command sequence resets device for next command after aborted write-to-buffer operation.
- The Unlock Bypass command is required prior to the Unlock Bypass Program command.
- The Unlock Bypass Reset command is required to return to the read mode when the device is in the unlock bypass mode.
- The system may read and program in non-erasing sectors, or enter the autoselect mode, when in the Erase Suspend mode. The Erase Suspend command is valid only during a sector erase operation.
- The Erase Resume command is valid only during the Erase Suspend mode.
- Command is valid when device is ready to read array data or when device is in autoselect mode.

WRITE OPERATION STATUS

The device provides several bits to determine the status of a program or erase operation: DQ2, DQ3, DQ5, DQ6, and DQ7. Table 12 and the following subsections describe the function of these bits. DQ7 and DQ6 each offer a method for determining whether a program or erase operation is complete or in progress. The device also provides a hardware-based output signal, RY/BY#, to determine whether an Embedded Program or Erase operation is in progress or has been completed.

DQ7: Data# Polling

The Data# Polling bit, DQ7, indicates to the host system whether an Embedded Program or Erase algorithm is in progress or completed, or whether the device is in Erase Suspend. Data# Polling is valid after the rising edge of the final WE# pulse in the command sequence.

During the Embedded Program algorithm, the device outputs on DQ7 the complement of the datum programmed to DQ7. This DQ7 status also applies to programming during Erase Suspend. When the Embedded Program algorithm is complete, the device outputs the datum programmed to DQ7. The system must provide the program address to read valid status information on DQ7. If a program address falls within a protected sector, Data# Polling on DQ7 is active for approximately 1 μ s, then the device returns to the read mode.

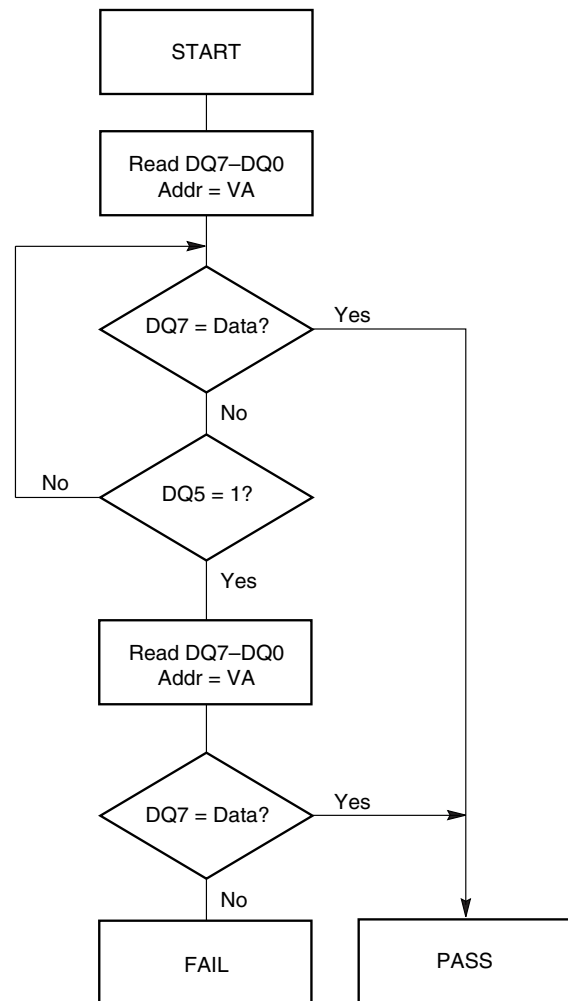
During the Embedded Erase algorithm, Data# Polling produces a “0” on DQ7. When the Embedded Erase algorithm is complete, or if the device enters the Erase Suspend mode, Data# Polling produces a “1” on DQ7. The system must provide an address within any of the sectors selected for erasure to read valid status information on DQ7.

After an erase command sequence is written, if all sectors selected for erasing are protected, Data# Polling on DQ7 is active for approximately 100 μ s, then the device returns to the read mode. If not all selected sectors are protected, the Embedded Erase algorithm erases the unprotected sectors, and ignores the selected sectors that are protected. However, if the system reads DQ7 at an address within a protected sector, the status may not be valid.

Just prior to the completion of an Embedded Program or Erase operation, DQ7 may change asynchronously with DQ0–DQ6 while Output Enable (OE#) is asserted low. That is, the device may change from providing status information to valid data on DQ7. Depending on when the system samples the DQ7 output, it may read the status or valid data. Even if the device has completed the program or erase operation and DQ7 has

valid data, the data outputs on DQ0–DQ6 may be still invalid. Valid data on DQ0–DQ7 will appear on successive read cycles.

Table 12 shows the outputs for Data# Polling on DQ7. Figure 8 shows the Data# Polling algorithm. Figure 20 in the AC Characteristics section shows the Data# Polling timing diagram.



Notes:

1. VA = Valid address for programming. During a sector erase operation, a valid address is any sector address within the sector being erased. During chip erase, a valid address is any non-protected sector address.
2. DQ7 should be rechecked even if DQ5 = “1” because DQ7 may change simultaneously with DQ5.

Figure 8. Data# Polling Algorithm

RY/BY#: Ready/Busy#

The RY/BY# is a dedicated, open-drain output pin which indicates whether an Embedded Algorithm is in progress or complete. The RY/BY# status is valid after the rising edge of the final WE# pulse in the command sequence. Since RY/BY# is an open-drain output, several RY/BY# pins can be tied together in parallel with a pull-up resistor to V_{CC} .

If the output is low (Busy), the device is actively erasing or programming. (This includes programming in the Erase Suspend mode.) If the output is high (Ready), the device is in the read mode, the standby mode, or in the erase-suspend-read mode. [Table 12](#) shows the outputs for RY/BY#.

DQ6: Toggle Bit I

Toggle Bit I on DQ6 indicates whether an Embedded Program or Erase algorithm is in progress or complete, or whether the device has entered the Erase Suspend mode. Toggle Bit I may be read at any address, and is valid after the rising edge of the final WE# pulse in the command sequence (prior to the program or erase operation), and during the sector erase time-out.

During an Embedded Program or Erase algorithm operation, successive read cycles to any address cause DQ6 to toggle. The system may use either OE# or CE# to control the read cycles. When the operation is complete, DQ6 stops toggling.

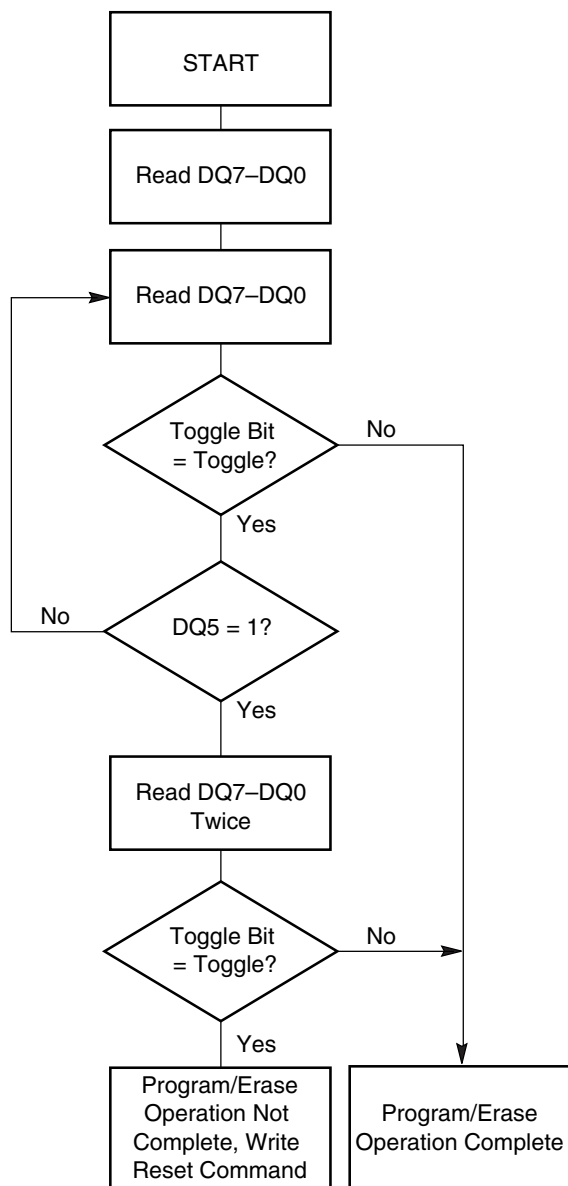
After an erase command sequence is written, if all sectors selected for erasing are protected, DQ6 toggles for approximately 100 μ s, then returns to reading array data. If not all selected sectors are protected, the Embedded Erase algorithm erases the unprotected sectors, and ignores the selected sectors that are protected.

The system can use DQ6 and DQ2 together to determine whether a sector is actively erasing or is erase-suspended. When the device is actively erasing (that is, the Embedded Erase algorithm is in progress), DQ6 toggles. When the device enters the Erase Suspend mode, DQ6 stops toggling. However, the system must also use DQ2 to determine which sectors are erasing or erase-suspended. Alternatively, the system can use DQ7 (see the subsection on [DQ7: Data# Polling](#)).

If a program address falls within a protected sector, DQ6 toggles for approximately 1 μ s after the program command sequence is written, then returns to reading array data.

DQ6 also toggles during the erase-suspend-program mode, and stops toggling once the Embedded Program algorithm is complete.

[Table 12](#) shows the outputs for Toggle Bit I on DQ6. Figure 9 shows the toggle bit algorithm. Figure 21 in the “AC Characteristics” section shows the toggle bit timing diagrams. Figure 22 shows the differences between DQ2 and DQ6 in graphical form. See also the subsection on [DQ2: Toggle Bit II](#).



Note: The system should recheck the toggle bit even if $DQ5 = "1"$ because the toggle bit may stop toggling as $DQ5$ changes to "1." See the subsections on $DQ6$ and $DQ2$ for more information.

Figure 9. Toggle Bit Algorithm

DQ2: Toggle Bit II

The "Toggle Bit II" on $DQ2$, when used with $DQ6$, indicates whether a particular sector is actively erasing (that is, the Embedded Erase algorithm is in progress), or whether that sector is erase-suspended. Toggle Bit II is valid after the rising edge of the final $WE\#$ pulse in the command sequence.

$DQ2$ toggles when the system reads at addresses within those sectors that have been selected for erasure. (The system may use either $OE\#$ or $CE\#$ to control the read cycles.) But $DQ2$ cannot distinguish whether the sector is actively erasing or is erase-suspended. $DQ6$, by comparison, indicates whether the device is actively erasing, or is in Erase Suspend, but cannot distinguish which sectors are selected for erasure. Thus, both status bits are required for sector and mode information. Refer to [Table 12](#) to compare outputs for $DQ2$ and $DQ6$.

Figure 9 shows the toggle bit algorithm in flowchart form, and the section "DQ2: Toggle Bit II" explains the algorithm. See also the [RY/BY#: Ready/Busy#](#) subsection. Figure 21 shows the toggle bit timing diagram. Figure 22 shows the differences between $DQ2$ and $DQ6$ in graphical form.

Reading Toggle Bits $DQ6/DQ2$

Refer to Figure 9 for the following discussion. Whenever the system initially begins reading toggle bit status, it must read $DQ7-DQ0$ at least twice in a row to determine whether a toggle bit is toggling. Typically, the system would note and store the value of the toggle bit after the first read. After the second read, the system would compare the new value of the toggle bit with the first. If the toggle bit is not toggling, the device has completed the program or erase operation. The system can read array data on $DQ7-DQ0$ on the following read cycle.

However, if after the initial two read cycles, the system determines that the toggle bit is still toggling, the system also should note whether the value of $DQ5$ is high (see the section on $DQ5$). If it is, the system should then determine again whether the toggle bit is toggling, since the toggle bit may have stopped toggling just as $DQ5$ went high. If the toggle bit is no longer toggling, the device has successfully completed the program or erase operation. If it is still toggling, the device did not complete the operation successfully, and the system must write the reset command to return to reading array data.

The remaining scenario is that the system initially determines that the toggle bit is toggling and $DQ5$ has not gone high. The system may continue to monitor the toggle bit and $DQ5$ through successive read cycles, determining the status as described in the previous paragraph. Alternatively, it may choose to perform

other system tasks. In this case, the system must start at the beginning of the algorithm when it returns to determine the status of the operation (top of Figure 9).

DQ5: Exceeded Timing Limits

DQ5 indicates whether the program, erase, or write-to-buffer time has exceeded a specified internal pulse count limit. Under these conditions DQ5 produces a “1,” indicating that the program or erase cycle was not successfully completed.

The device may output a “1” on DQ5 if the system tries to program a “1” to a location that was previously programmed to “0.” **Only an erase operation can change a “0” back to a “1.”** Under this condition, the device halts the operation, and when the timing limit has been exceeded, DQ5 produces a “1.”

In all these cases, the system must write the reset command to return the device to the reading the array (or to erase-suspend-read if the device was previously in the erase-suspend-program mode).

DQ3: Sector Erase Timer

After writing a sector erase command sequence, the system may read DQ3 to determine whether or not erasure has begun. (The sector erase timer does not apply to the chip erase command.) If additional sectors are selected for erasure, the entire time-out also applies after each additional sector erase com-

mand. When the time-out period is complete, DQ3 switches from a “0” to a “1.” If the time between additional sector erase commands from the system can be assumed to be less than 50 μ s, the system need not monitor DQ3. See also the [Sector Erase Command Sequence](#) section.

After the sector erase command is written, the system should read the status of DQ7 (Data# Polling) or DQ6 (Toggle Bit I) to ensure that the device has accepted the command sequence, and then read DQ3. If DQ3 is “1,” the Embedded Erase algorithm has begun; all further commands (except Erase Suspend) are ignored until the erase operation is complete. If DQ3 is “0,” the device will accept additional sector erase commands. To ensure the command has been accepted, the system software should check the status of DQ3 prior to and following each subsequent sector erase command. If DQ3 is high on the second status check, the last command might not have been accepted.

[Table 12](#) shows the status of DQ3 relative to the other status bits.

DQ1: Write-to-Buffer Abort

DQ1 indicates whether a Write-to-Buffer operation was aborted. Under these conditions DQ1 produces a “1”. The system must issue the Write-to-Buffer-Abort-Reset command sequence to return the device to reading array data. See [Write Buffer](#)

Table 12. Write Operation Status

Status		DQ7 (Note 2)	DQ6	DQ5 (Note 1)	DQ3	DQ2 (Note 2)	DQ1	RY/BY#
Standard Mode	Embedded Program Algorithm	DQ7#	Toggle	0	N/A	No toggle	0	0
	Embedded Erase Algorithm	0	Toggle	0	1	Toggle	N/A	0
Program Suspend Mode	Program-Suspend Sector	Invalid (not allowed)						1
	Non-Program Suspend Sector	Data						1
Erase Suspend Mode	Erase-Suspend Sector	1	No toggle	0	N/A	Toggle	N/A	1
	Non-Erase Suspend Sector	Data						1
	Erase-Suspend-Program (Embedded Program)	DQ7#	Toggle	0	N/A	N/A	N/A	0
Write-to-Buffer	Busy (Note 3)	DQ7#	Toggle	0	N/A	N/A	0	0
	Abort (Note 4)	DQ7#	Toggle	0	N/A	N/A	1	0

Notes:

1. DQ5 switches to ‘1’ when an Embedded Program, Embedded Erase, or Write-to-Buffer operation has exceeded the maximum timing limits. Refer to the section on DQ5 for more information.
2. DQ7 and DQ2 require a valid address when reading status information. Refer to the appropriate subsection for further details.
3. The Data# Polling algorithm should be used to monitor the last loaded write-buffer address location.
4. DQ1 switches to ‘1’ when the device has aborted the write-to-buffer operation.

ABSOLUTE MAXIMUM RATINGS

Storage Temperature

Plastic Packages -65°C to +150°C

Ambient Temperature

with Power Applied. -65°C to +125°C

Voltage with Respect to Ground

V_{CC}/V_{CCS} (Note 1) -0.3 V to +4.0 V

RESET#f (Note 2) -0.5 V to +12.5 V

WP#/ACC -0.5 V to +10.5 V

All other pins (Note 1) -0.5 V to $V_{CC} + 0.5$ V

Output Short Circuit Current (Note 3) 200 mA

Notes:

1. Minimum DC voltage on input or I/O pins is -0.5 V. During voltage transitions, input or I/O pins may overshoot V_{SS} to -2.0 V for periods of up to 20 ns. Maximum DC voltage on input or I/O pins is $V_{CC} + 0.5$ V. See Figure 10. During voltage transitions, input or I/O pins may overshoot to $V_{CC} + 2.0$ V for periods up to 20 ns. See Figure 11.
2. Minimum DC input voltage on pins A9, OE#, ACC, and RESET# is -0.5 V. During voltage transitions, A9, OE#, ACC, and RESET# may overshoot V_{SS} to -2.0 V for periods of up to 20 ns. See Figure 10. Maximum DC input voltage on pin A9, OE#, ACC, and RESET# is +12.5 V which may overshoot to +14.0 V for periods up to 20 ns.
3. No more than one output may be shorted to ground at a time. Duration of the short circuit should not be greater than one second.

Stresses above those listed under "Absolute Maximum Ratings" may cause permanent damage to the device. This is a stress rating only; functional operation of the device at these or any other conditions above those indicated in the operational sections of this data sheet is not implied. Exposure of the device to absolute maximum rating conditions for extended periods may affect device reliability.

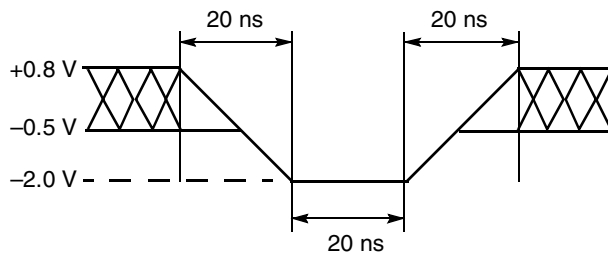


Figure 10. Maximum Negative Overshoot Waveform

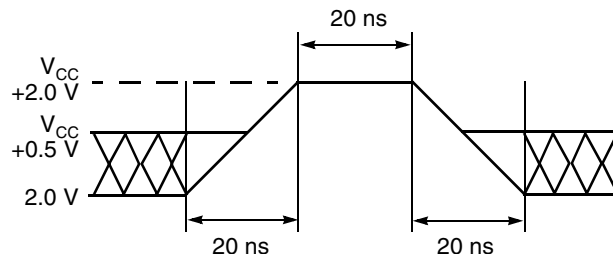


Figure 11. Maximum Positive Overshoot Waveform

OPERATING RANGES

Industrial (I) Devices

Ambient Temperature (T_A) -40°C to +85°C

Supply Voltages

V_{CC}/V_{CCS} for full voltage range 2.7-3.3 V

Note: Operating ranges define those limits between which the functionality of the device is guaranteed.

DC Characteristics

CMOS Compatible

Parameter Symbol	Parameter Description (Notes)	Test Conditions	Min	Typ	Max	Unit	
I_{LI}	Input Load Current (1)	$V_{IN} = V_{SS}$ to V_{CC} , $V_{CC} = V_{CC\ max}$			± 1.0	μA	
I_{LIT}	A9, ACC Input Load Current	$V_{CC} = V_{CC\ max}$; A9 = 12.5 V			35	μA	
I_{LR}	Reset Leakage Current	$V_{CC} = V_{CC\ max}$; RESET# = 12.5 V			35	μA	
I_{LO}	Output Leakage Current	$V_{OUT} = V_{SS}$ to V_{CC} , $V_{CC} = V_{CC\ max}$			± 1.0	μA	
I_{CC1}	V_{CC} Active Read Current (2, 3)	CE# = V_{IL} , OE# = V_{IH} ,	5 MHz		15	20	mA
			1 MHz		15	20	
I_{CC2}	V_{CC} Initial Page Read Current (2, 3)	CE# = V_{IL} , OE# = V_{IH}		30	50	mA	
I_{CC3}	V_{CC} Intra-Page Read Current (2, 3)	CE# = V_{IL} , OE# = V_{IH}		10	20	mA	
I_{CC4}	V_{CC} Active Write Current (3, 4)	CE# = V_{IL} , OE# = V_{IH}		50	60	mA	
I_{CC5}	V_{CC} Standby Current (3)	CE#, RESET# = $V_{CC} \pm 0.3 V$, WP# = V_{IH}		1	5	μA	
I_{CC6}	V_{CC} Reset Current (3)	RESET# = $V_{SS} \pm 0.3 V$, WP# = V_{IH}		1	5	μA	
I_{CC7}	Automatic Sleep Mode (3, 5)	$V_{IH} = V_{CC} \pm 0.3 V$; $V_{IL} = V_{SS} \pm 0.3 V$, WP# = V_{IH}		1	5	μA	
V_{IL1}	Input Low Voltage 1 (6, 7)		-0.5		0.8	V	
V_{IH1}	Input High Voltage 1 (6, 7)		1.9		$V_{CC} + 0.5$	V	
V_{IL2}	Input Low Voltage 2 (6, 8)		-0.5		$0.3 \times V_{IO}$	V	
V_{IH2}	Input High Voltage 2 (6, 8)		1.9		$V_{IO} + 0.5$	V	
V_{HH}	Voltage for ACC Program Acceleration	$V_{CC} = 2.7 - 3.6 V$	11.5		12.5	V	
V_{ID}	Voltage for Autoselect and Temporary Sector Unprotect	$V_{CC} = 2.7 - 3.6 V$	11.5		12.5	V	
V_{OL}	Output Low Voltage (9)	$I_{OL} = 4.0 mA$, $V_{CC} = V_{CC\ min} = V_{IO}$			$0.15 \times V_{IO}$	V	
V_{OH1}	Output High Voltage	$I_{OH} = -2.0 mA$, $V_{CC} = V_{CC\ min} = V_{IO}$	$0.85 V_{IO}$			V	
V_{OH2}		$I_{OH} = -100 \mu A$, $V_{CC} = V_{CC\ min} = V_{IO}$	$V_{IO} - 0.4$			V	
V_{LKO}	Low V_{CC} Lock-Out Voltage (10)		2.3		2.5	V	

Notes:

- On the WP#/ACC pin only, the maximum input load current when WP# = V_{IL} is $\pm 5.0 \mu A$.
- The I_{CC} current listed is typically less than 2 mA/MHz, with OE# at V_{IH} .
- Maximum I_{CC} specifications are tested with $V_{CC} = V_{CC\ max}$.
- I_{CC} active while Embedded Erase or Embedded Program is in progress.
- Automatic sleep mode enables the low power mode when addresses remain stable for $t_{ACC} + 30 ns$.
- If $V_{IO} < V_{CC}$, maximum V_{IL} for CE# and DQ I/Os is $0.3 V_{IO}$. If $V_{IO} < V_{CC}$, minimum V_{IH} for CE# and DQ I/Os is $0.7 V_{IO}$. Maximum V_{IH} for these connections is $V_{IO} + 0.3 V$.
- V_{CC} voltage requirements.
- V_{IO} voltage requirements.
- Includes RY/BY#
- Not 100% tested.

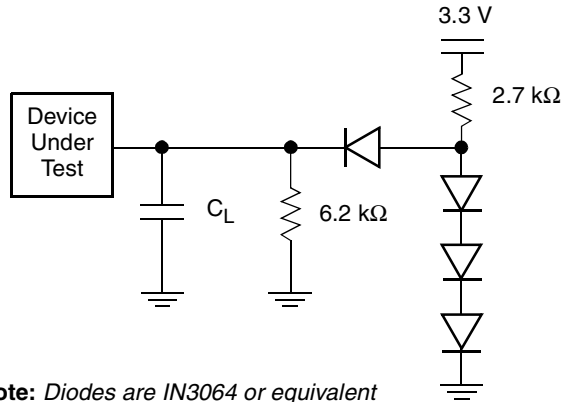
PSEUDO SRAM DC AND OPERATING CHARACTERISTICS

Parameter Symbol	Parameter Description	Test Conditions	Min	Typ	Max	Unit
I_{LI}	Input Leakage Current	$V_{IN} = V_{SS}$ to V_{CC}	-1.0		1.0	μA
I_{LO}	Output Leakage Current	$CE1\#s = V_{IH}$, $CE2s = V_{IL}$ or $OE\# = V_{IH}$ or $WE\# = V_{IL}$, $V_{IO} = V_{SS}$ to V_{CC}	-1.0		1.0	μA
I_{CC1S}	Average Operating Current	Cycle time = 1 μs , 100% duty, $I_{IO} = 0$ mA, $CE1\#s \leq 0.2$ V, $CE2 \geq V_{CC} - 0.2$ V, $V_{IN} \leq 0.2$ V or $V_{IN} \geq V_{CC} - 0.2$ V		3	5	mA
I_{CC2S}	Average Operating Current	Cycle time = Min., $I_{IO} = 0$ mA, 100% duty, $CE1\#s = V_{IL}$, $CE2s = V_{IH}$, $V_{IN} = V_{IL}$ or V_{IH}		12	25	mA
V_{IL}	Input Low Voltage		-0.2 (Note 3)		0.4	V
V_{IH}	Input High Voltage		2.2		$V_{CC} + 0.2$ (Note 2)	V
V_{OL}	Output Low Voltage	$I_{OL} = 2.0$ mA			0.4	V
V_{OH}	Output High Voltage	$I_{OH} = -1.0$ mA	2.2			V
I_{SB}	Standby Current (TTL)	$CE1\#s = V_{IH}$, $CE2 = V_{IL}$, Other inputs = V_{IH} or V_{IL}			0.3	mA
I_{SB1}	Standby Current (CMOS)	$CE1\#s = V_{IH}$, $CE2 = V_{IL}$; Other inputs = V_{IH} or V_{IL} ; $t_A = 85^\circ C$, $V_{CC} = 3.0$ V			60	μA
I_{SB2}	Standby Current (CMOS)	$CE1\#s = V_{IH}$, $CE2 = V_{IL}$; Other inputs = V_{IH} or V_{IL} ; $t_A = 85^\circ C$, $V_{CC} = 3.3$ V			85	μA

Notes:

- $T_A = -40^\circ$ to $85^\circ C$, otherwise specified.
- Overshoot: $V_{CC} + 1.0V$ if pulse width ≤ 20 ns.
- Undershoot: $-1.0V$ if pulse width ≤ 20 ns.
- Overshoot and undershoot are sampled, not 100% tested.
- Stable power supply required 200 μs before device operation.

TEST CONDITIONS



Note: Diodes are IN3064 or equivalent
Figure 12. Test Setup

Table 13. Test Specifications

Test Condition	All Speeds	Unit
Output Load	1 TTL gate	
Output Load Capacitance, C_L (including jig capacitance)	30	pF
Input Rise and Fall Times	5	ns
Input Pulse Levels	0.0–3.0	V
Input timing measurement reference levels	1.5	V
Output timing measurement reference levels	1.5	V

KEY TO SWITCHING WAVEFORMS

WAVEFORM	INPUTS	OUTPUTS
	Steady	
	Changing from H to L	
	Changing from L to H	
	Don't Care, Any Change Permitted	Changing, State Unknown
	Does Not Apply	Center Line is High Impedance State (High Z)

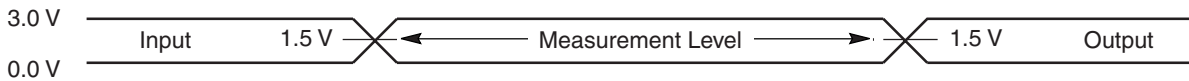


Figure 13. Input Waveforms and Measurement Levels

AC CHARACTERISTICS
Flash Read-Only Operations

Parameter		Description	Test Setup		Speed		Unit
JEDEC	Std.				10, 15	11	
t_{AVAV}	t_{RC}	Read Cycle Time (Note 1)		Min	100	110	ns
t_{AVQV}	t_{ACC}	Address to Output Delay	CE#, OE# = V_{IL}	Max	100	110	ns
t_{ELQV}	t_{CE}	Chip Enable to Output Delay	OE# = V_{IL}	Max	100	110	ns
	t_{PACC}	Page Access Time		Max	35	40	ns
t_{GLQV}	t_{OE}	Output Enable to Output Delay		Max	35	40	ns
t_{EHQZ}	t_{DF}	Chip Enable to Output High Z (Note 1)		Max	16		ns
t_{GHQZ}	t_{DF}	Output Enable to Output High Z (Note 1)		Max	16		ns
t_{AXQX}	t_{OH}	Output Hold Time From Addresses, CE# or OE#, Whichever Occurs First		Min	0		ns
	t_{OEh}	Output Enable Hold Time (Note 1)	Read	Min	0		ns
			Toggle and Data# Polling	Min	10		ns

Notes:

1. Not 100% tested.
2. See Figure 12 and Table 12 for test specifications.

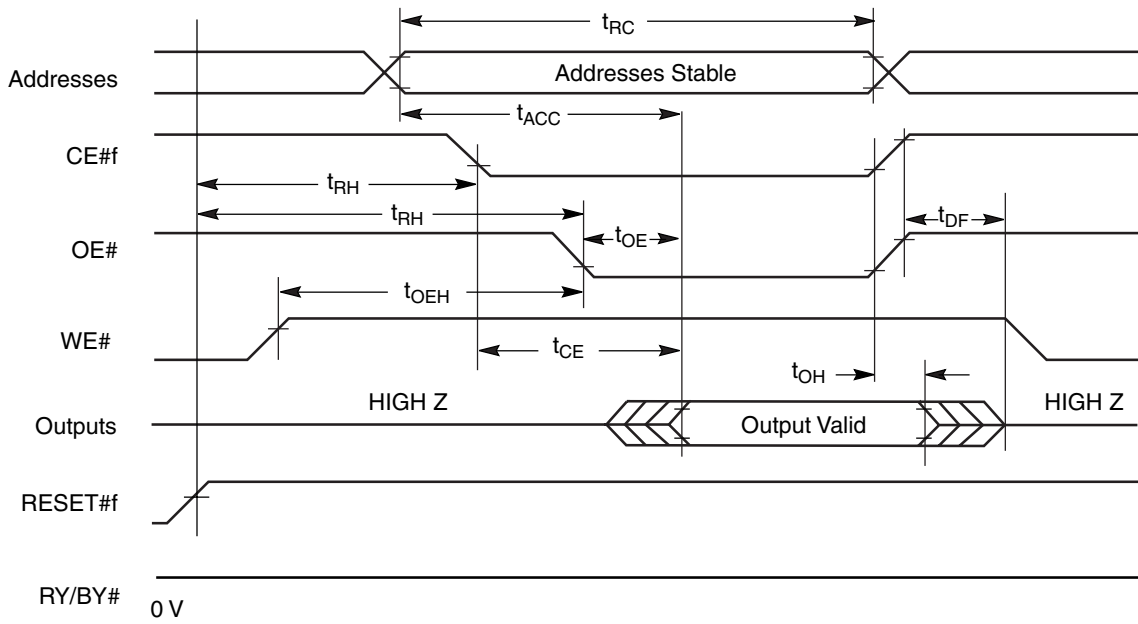


Figure 14. Read Operation Timings

AC CHARACTERISTICS

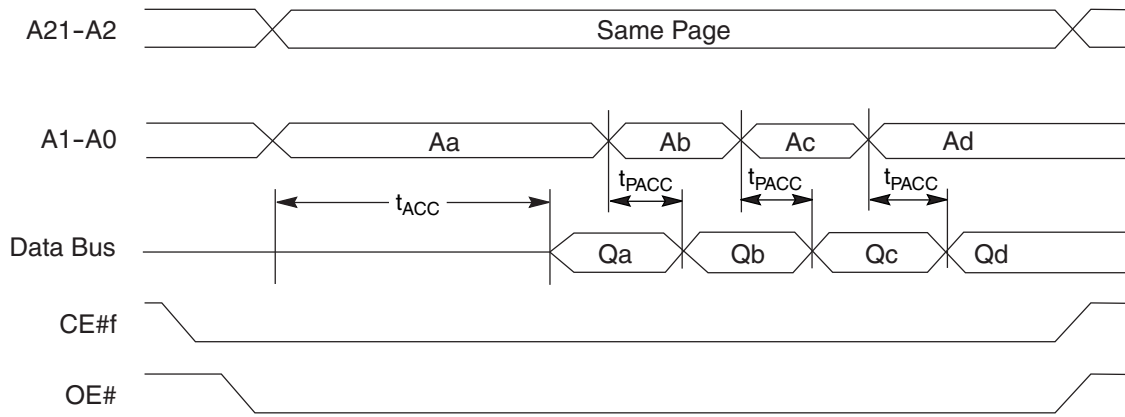


Figure 15. Page Read Timings

AC Characteristics

Hardware Reset (RESET#)

Parameter		Description		All Speed Options	Unit
JEDEC	Std.				
	t_{Ready}	RESET# Pin Low (During Embedded Algorithms) to Read Mode (See Note)	Max	20	ms
	t_{Ready}	RESET# Pin Low (NOT During Embedded Algorithms) to Read Mode (See Note)	Max	500	ns
	t_{RP}	RESET# Pulse Width	Min	500	ns
	t_{RH}	Reset High Time Before Read (See Note)	Min	50	ns
	t_{RPD}	RESET# Input Low to Standby Mode	Min	20	μ s
	t_{RB}	RY/BY# Output High to CE#, OE# pin Low	Min	0	ns

Notes:

1. Not 100% tested.

2. AC Specifications listed are tested with $V_{IO} = V_{CC}$. Contact AMD for information on AC operation with $V_{IO} \frac{1}{4} V_{CC}$.

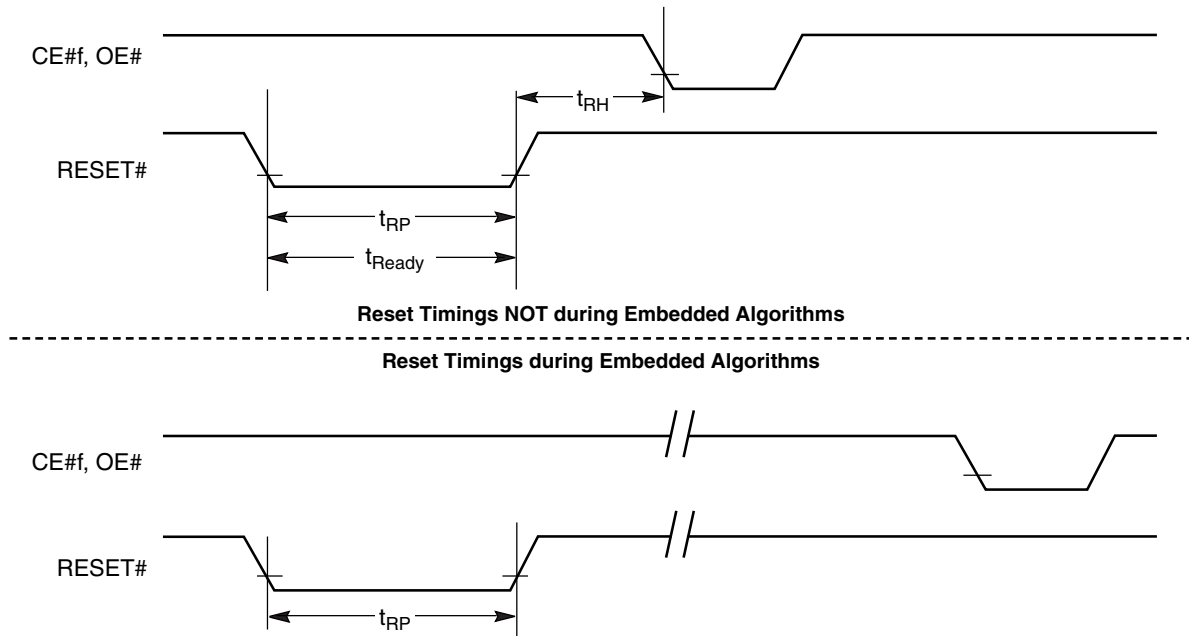


Figure 16. Reset Timings

AC Characteristics

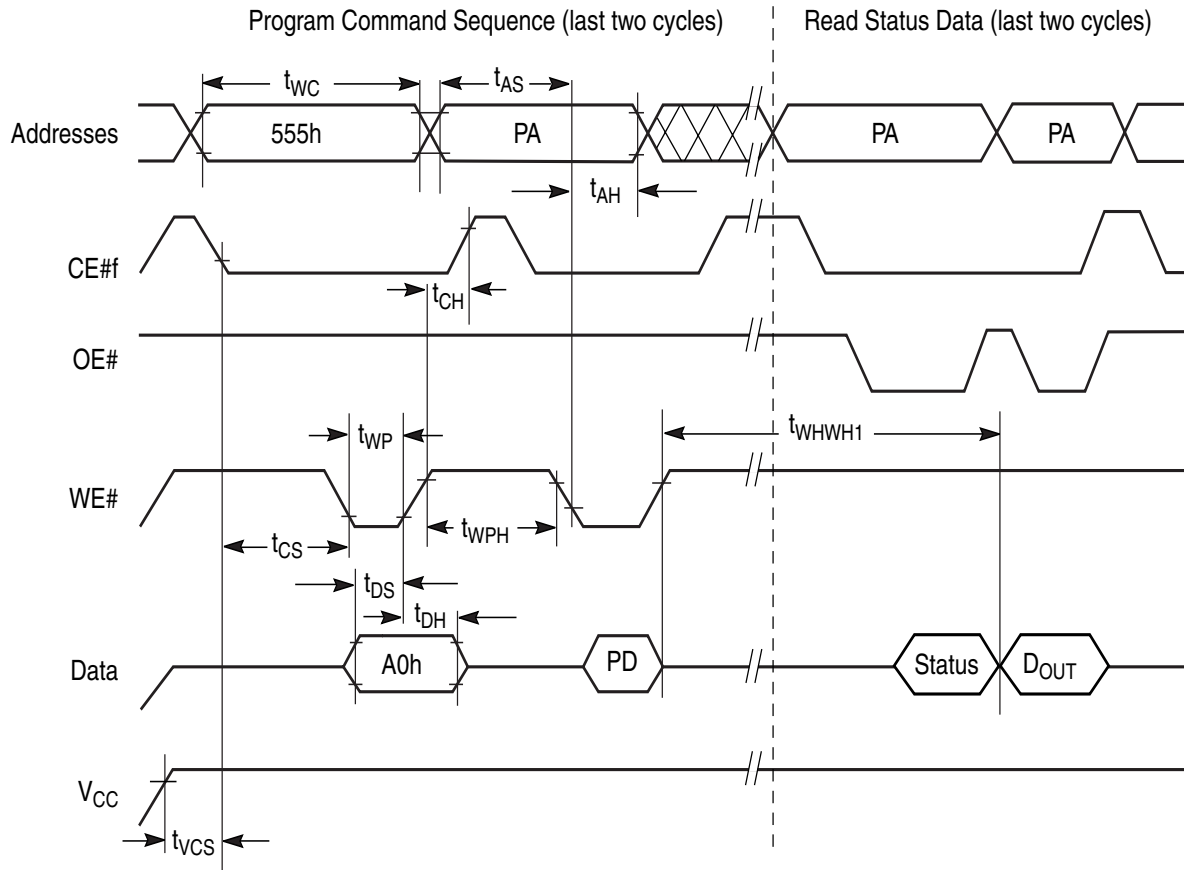
Erase and Program Operations

Parameter		Description		Speed Options		Unit	
JEDEC	Std.			10, 15	11		
t_{AVAV}	t_{WC}	Write Cycle Time (Note 1)	Min	100	110	ns	
t_{AVWL}	t_{AS}	Address Setup Time	Min	0		ns	
	t_{ASO}	Address Setup Time to OE# low during toggle bit polling	Min	15		ns	
t_{WLAX}	t_{AH}	Address Hold Time	Min	45		ns	
	t_{AHT}	Address Hold Time From CE# or OE# high during toggle bit polling	Min	0		ns	
t_{DVWH}	t_{DS}	Data Setup Time	Min	45		ns	
t_{WHDX}	t_{DH}	Data Hold Time	Min	0		ns	
	t_{OEPH}	Output Enable High during toggle bit polling	Min	20		ns	
t_{GHWL}	t_{GHWL}	Read Recovery Time Before Write (OE# High to WE# Low)	Min	0		ns	
t_{ELWL}	t_{CS}	CE# Setup Time	Min	0		ns	
t_{WHEH}	t_{CH}	CE# Hold Time	Min	0		ns	
t_{WLWH}	t_{WP}	Write Pulse Width	Min	35		ns	
t_{WHDL}	t_{WPH}	Write Pulse Width High	Min	30		ns	
t_{WHWH1}	t_{WHWH1}	Write Buffer Program Operation (Notes 2, 3)	Typ	352		μ s	
		Effective Write Buffer Program Operation (Notes 2, 4)	Per Word	Typ	22		μ s
		Accelerated Effective Write Buffer Program Operation (Notes 2, 4)	Per Word	Typ	17.6		μ s
		Single Word/Byte Program Operation (Note 2, 5)	Word	Typ	100		
		Single Word/Byte Accelerated Programming Operation (Note 2, 5)	Word	Typ	90		μ s
t_{WHWH2}	t_{WHWH2}	Sector Erase Operation (Note 2)	Typ	0.5		sec	
	t_{VHH}	V_{HH} Rise and Fall Time (Note 1)	Min	250		ns	
	t_{VCS}	V_{CC} Setup Time (Note 1)	Min	50		μ s	
	t_{BUSY}	WE# High to RY/BY# Low	Min	100	110	ns	

Notes:

1. Not 100% tested.
2. See the "Erase and Programming Performance" section for more information.
3. For 1–16 words programmed.
4. Effective write buffer specification is based upon a 16-word write buffer operation.
5. Word programming specification is based upon a single word programming operation not utilizing the write buffer.

AC Characteristics



Notes:

1. PA = program address, PD = program data, D_{OUT} is the true data at the program address. Illustration shows device in word mode.

Figure 17. Program Operation Timings

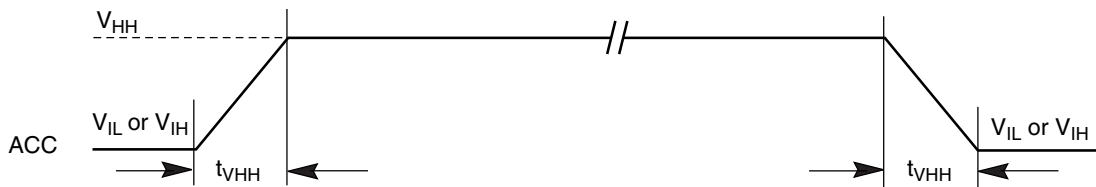
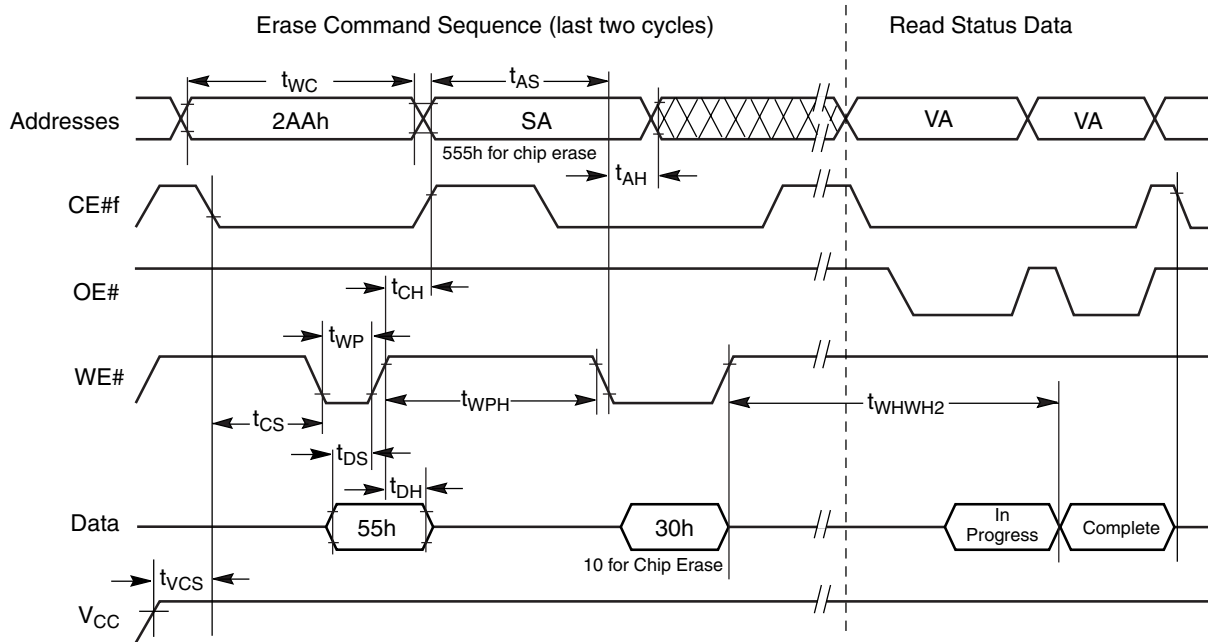


Figure 18. Accelerated Program Timing Diagram

AC Characteristics

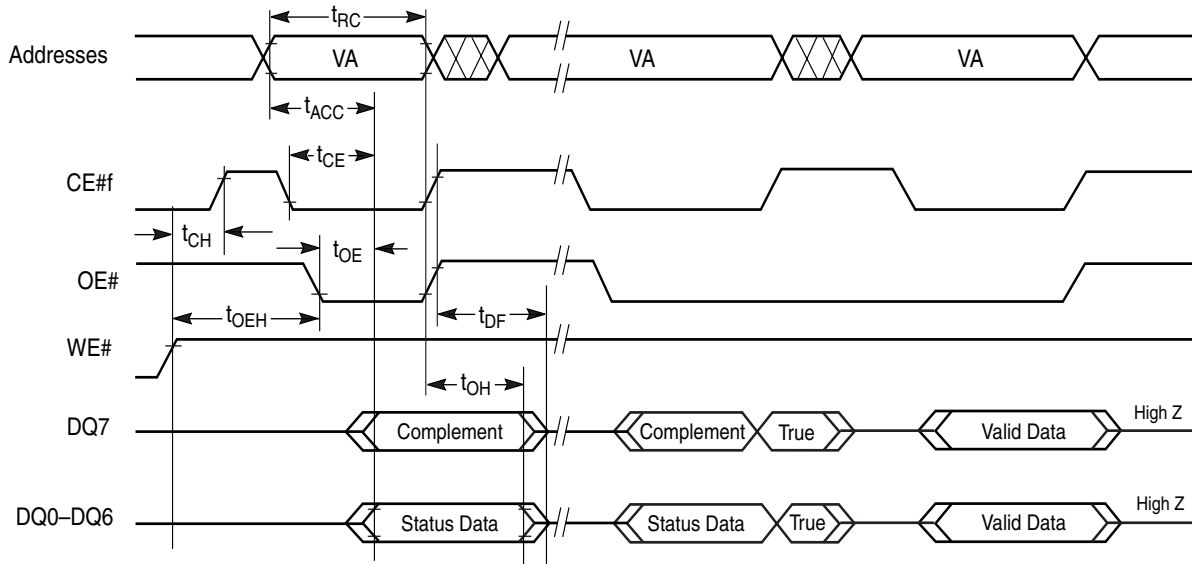


Notes:

1. SA = sector address (for Sector Erase), VA = Valid Address for reading status data (see "Write Operation Status").
2. Illustration shows device in word mode.

Figure 19. Chip/Sector Erase Operation Timings

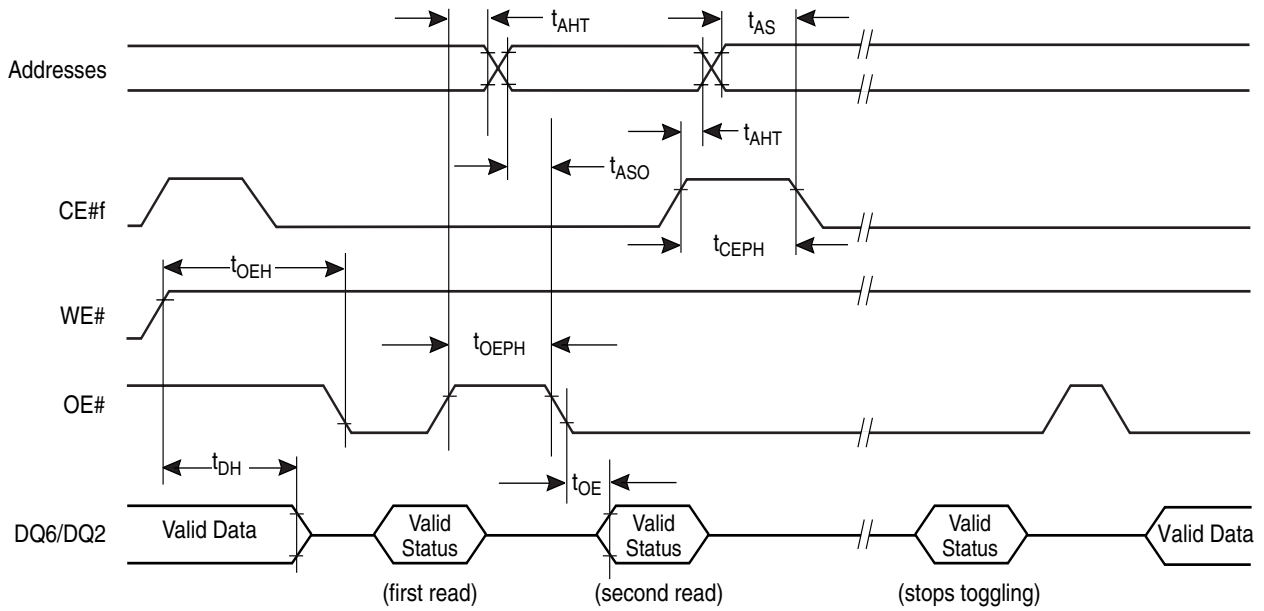
AC Characteristics



Notes:Note: VA = Valid address. Illustration shows first status cycle after command sequence, last status read cycle, and array data read cycle.

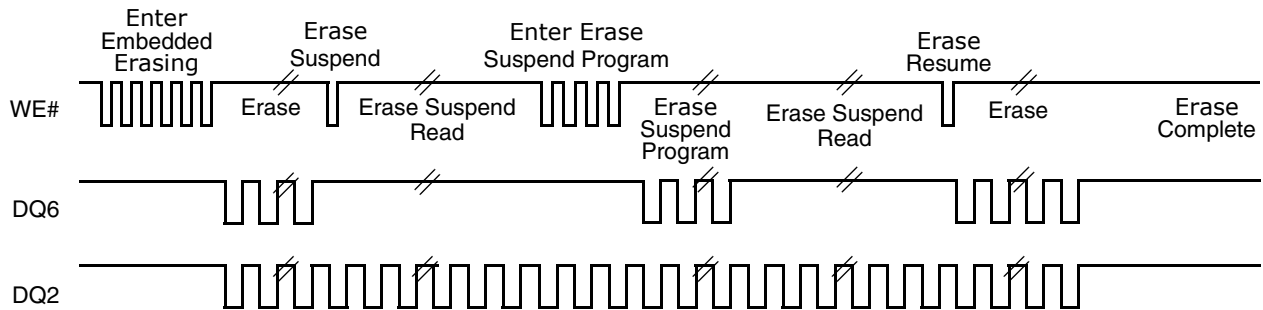
Figure 20. Data# Polling Timings (During Embedded Algorithms)

AC Characteristics



Note: VA = Valid address; not required for DQ6. Illustration shows first two status cycle after command sequence, last status read cycle, and array data read cycle.

Figure 21. Toggle Bit Timings (During Embedded Algorithms)



Note: DQ2 toggles only when read at an address within an erase-suspended sector. The system may use OE# or CE# to toggle DQ2 and DQ6.

Figure 22. DQ2 vs. DQ6

AC CHARACTERISTICS

Temporary Sector Unprotect

Parameter		Description		All Speed Options	Unit
JEDEC	Std				
	t_{VIDR}	V_{ID} Rise and Fall Time (See Note)	Min	500	ns
	t_{RSP}	RESET# Setup Time for Temporary Sector Unprotect	Min	4	μ s

Note: Not 100% tested.

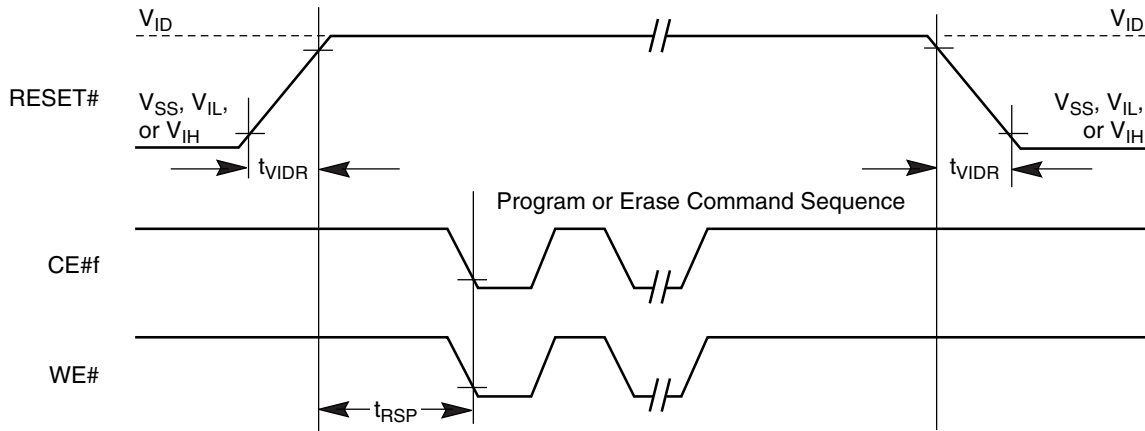
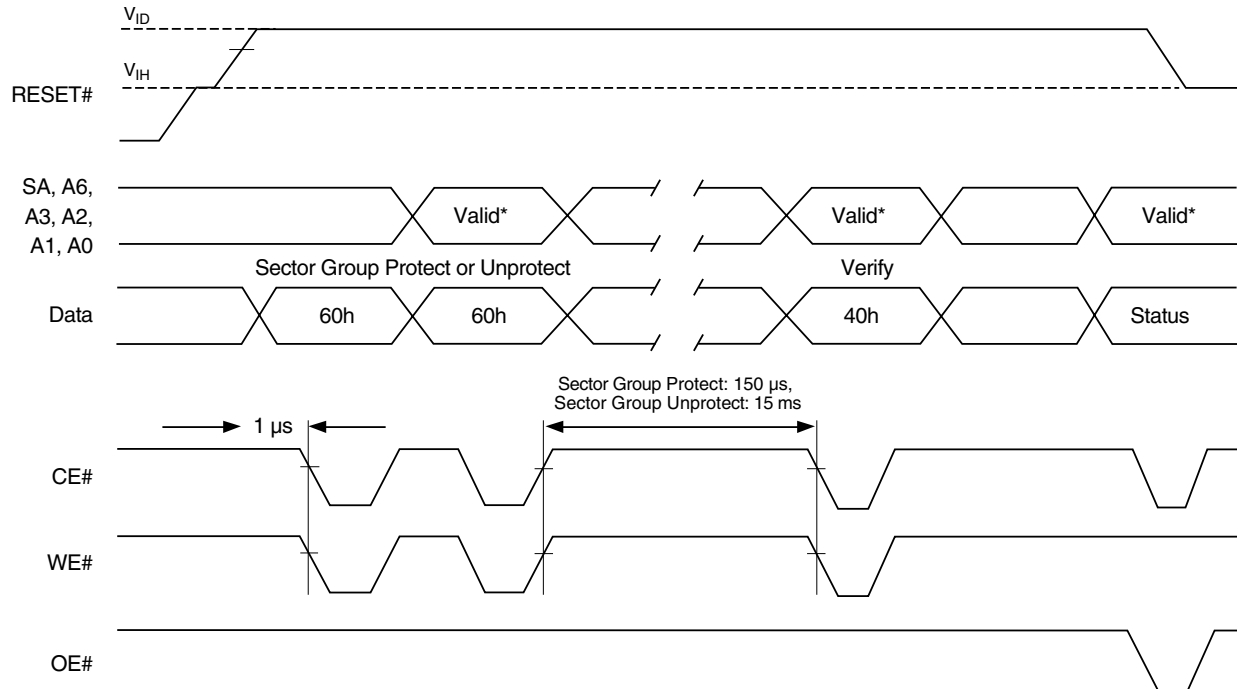


Figure 23. Temporary Sector Group Unprotect Timing Diagram

AC Characteristics



Note: For sector group protect, A6:A0 = 0xx0010. For sector group unprotect, A6:A0 = 1xx0010.

Figure 24. Sector Group Protect and Unprotect Timing Diagram

AC Characteristics

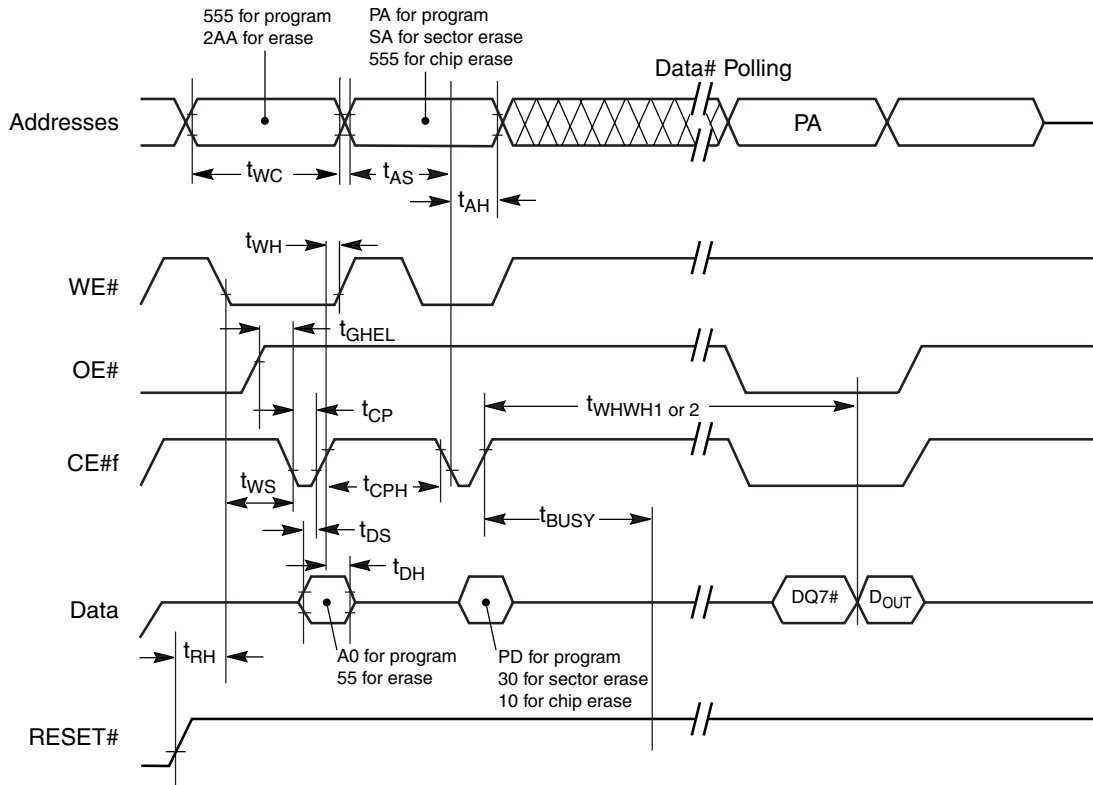
Alternate CE# Controlled Erase and Program Operations

Parameter		Description		Speed Options		Unit	
JEDEC	Std.			10, 15	11		
t_{AVAV}	t_{WC}	Write Cycle Time (Note 1)	Min	100	110	ns	
t_{AVWL}	t_{AS}	Address Setup Time	Min	0		ns	
t_{ELAX}	t_{AH}	Address Hold Time	Min	45		ns	
t_{DVEH}	t_{DS}	Data Setup Time	Min	45		ns	
t_{EHDX}	t_{DH}	Data Hold Time	Min	0		ns	
t_{GHLEL}	t_{GHLEL}	Read Recovery Time Before Write (OE# High to WE# Low)	Min	0		ns	
t_{WLEL}	t_{WS}	WE# Setup Time	Min	0		ns	
t_{EHWL}	t_{WH}	WE# Hold Time	Min	0		ns	
t_{ELEH}	t_{CP}	CE# Pulse Width	Min	45		ns	
t_{EHEL}	t_{CPH}	CE# Pulse Width High	Min	30		ns	
t_{WHWH1}	t_{WHWH1}	Write Buffer Program Operation (Notes 2, 3)	Typ	352		μ s	
		Effective Write Buffer Program Operation (Notes 2, 4)	Per Word	Typ	22		μ s
		Accelerated Effective Write Buffer Program Operation (Notes 2, 4)	Per Word	Typ	17.6		μ s
		Single Word/Byte Program Operation (Note 2, 5)	Word	Typ	100		
		Single Word/Byte Accelerated Programming Operation (Note 2, 5)	Word	Typ	90		μ s
t_{WHWH2}	t_{WHWH2}	Sector Erase Operation (Note 2)	Typ	0.5		sec	
	t_{RH}	RESET# High Time Before Write	Min	50		ns	

Notes:

1. Not 100% tested.
2. See the "Erase and Programming Performance" section for more information.
3. For 1–16 words programmed.
4. Effective write buffer specification is based upon a 16-word write buffer operation.
5. Word programming specification is based upon a single word programming operation not utilizing the write buffer.

AC CHARACTERISTICS



Notes:

1. Figure indicates last two bus cycles of a program or erase operation.
2. PA = program address, SA = sector address, PD = program data.
3. $D_{Q7\#}$ is the complement of the data written to the device. D_{OUT} is the data written to the device.

Figure 25. Alternate CE# Controlled Write (Erase/Program) Operation Timings

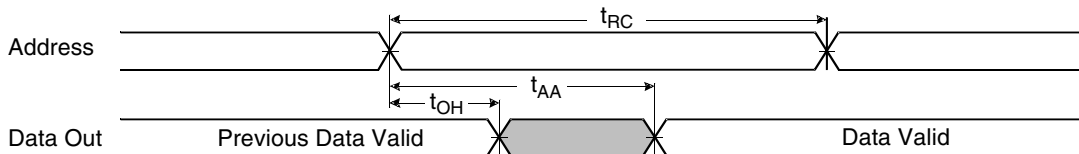
PSEUDO SRAM AC CHARACTERISTICS

Power Up Time

When powering up the pSRAM, maintain V_{CCS} for 100 μ s minimum with CE#1ps at V_{IH} .

Read Cycle

Parameter Symbol	Description		Speed		Unit
			15	10, 11	
t_{RC}	Read Cycle Time	Min	55	70	ns
t_{AA}	Address Access Time	Max	55	70	ns
t_{CO1}, t_{CO2}	Chip Enable to Output	Max	55	70	ns
t_{OE}	Output Enable Access Time	Max	30	35	ns
t_{BA}	LB#ps, UB#ps to Access Time	Max	55	70	ns
t_{LZ1}, t_{LZ2}	Chip Enable (CE1#ps Low and CE2ps High) to Low-Z Output	Min	5		ns
t_{BLZ}	UB#ps, LB#ps Enable to Low-Z Output	Min	5		ns
t_{OLZ}	Output Enable to Low-Z Output	Min	5		ns
t_{HZ1}, t_{HZ2}	Chip Disable to High-Z Output	Max	20	25	ns
t_{BHZ}	UB#ps, LB#ps Disable to High-Z Output	Max	20	25	ns
t_{OHZ}	Output Disable to High-Z Output	Max	20	25	ns
t_{OH}	Output Data Hold from Address Change	Min	10		ns



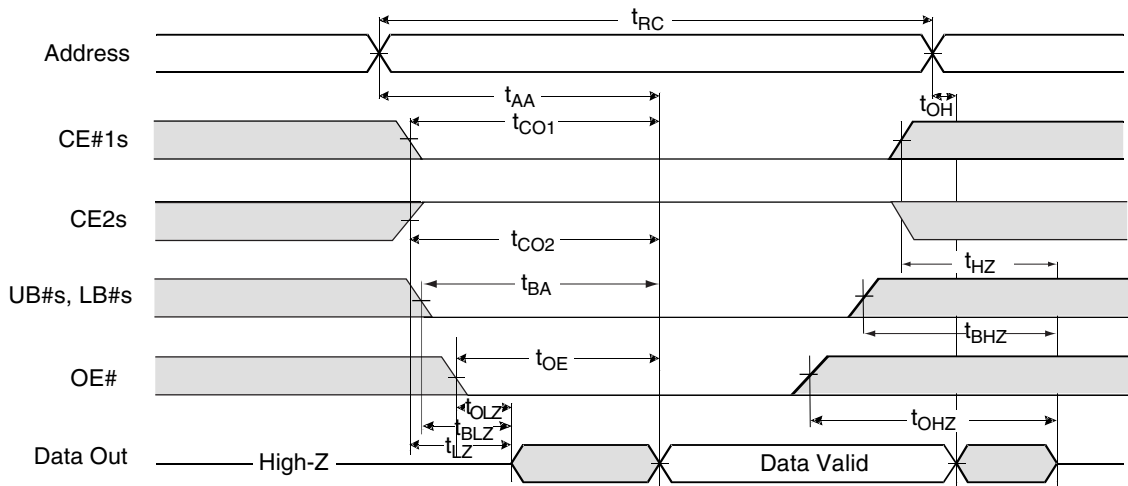
Notes:

1. $CE1\#ps = OE\# = V_{IL}, CE2ps = WE\# = V_{IH}, UB\#ps$ and/or $LB\#ps = V_{IL}$
2. Do not access device with cycle timing shorter than t_{RC} for continuous periods < 10 μ s.

Figure 26. Pseudo SRAM Read Cycle—Address Controlled

PSEUDO SRAM AC CHARACTERISTICS

Read Cycle



Notes:

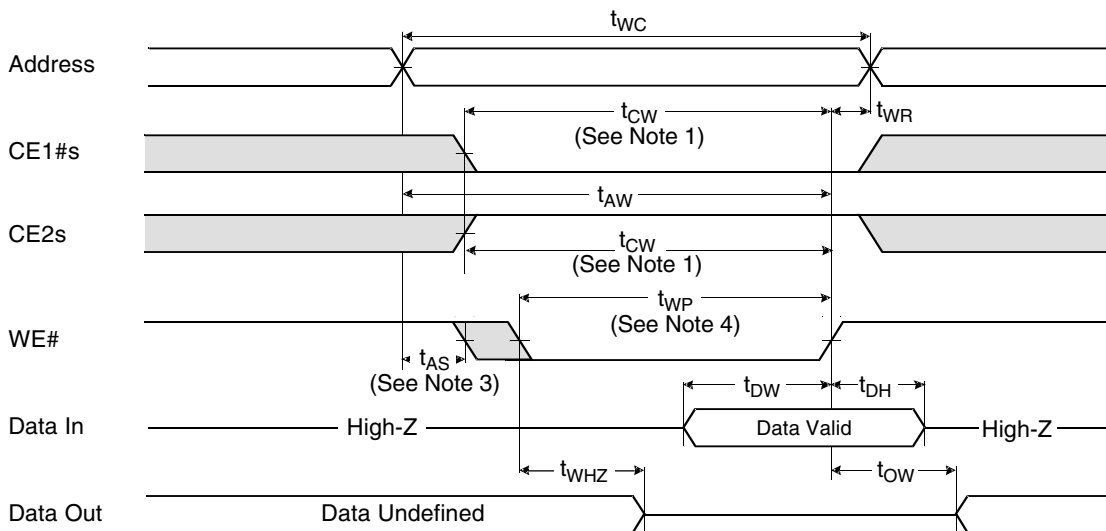
1. $WE\# = V_{IH}$
2. t_{HZ} and t_{OHZ} are defined as the time at which the outputs achieve the open circuit conditions and are not referenced to output voltage levels.
3. At any given temperature and voltage condition, t_{HZ} (Max.) is less than t_{LZ} (Min.) both for a given device and from device to device interconnection.
4. Do not access device with cycle timing shorter than t_{RC} for continuous periods $< 10 \mu s$.

Figure 27. Pseudo SRAM Read Cycle

PSEUDO SRAM AC CHARACTERISTICS

Write Cycle

Parameter Symbol	Description		Speed		Unit
			55	70	
t_{WC}	Write Cycle Time	Min	55	70	ns
t_{CW}	Chip Enable to End of Write	Min	45	55	ns
t_{AS}	Address Setup Time	Min	0		ns
t_{AW}	Address Valid to End of Write	Min	45	55	ns
t_{BW}	UB#s, LB#s to End of Write	Min	45	55	ns
t_{WP}	Write Pulse Time	Min	45	55	ns
t_{WR}	Write Recovery Time	Min	0		ns
t_{WHZ}	Write to Output High-Z	Min	0		ns
		Max	25		
t_{DW}	Data to Write Time Overlap	Min	40		ns
t_{DH}	Data Hold from Write Time	Min	0		ns
t_{OW}	End Write to Output Low-Z	Min	5		ns

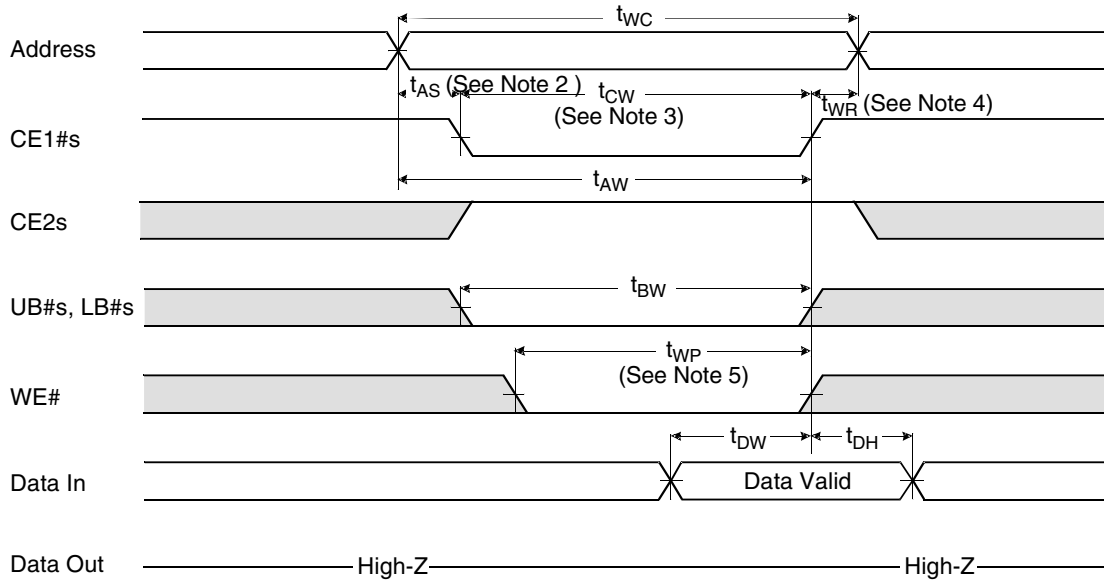


Notes:

1. WE# controlled.
2. t_{CW} is measured from CE1#s going low to the end of write.
3. t_{WR} is measured from the end of write to the address change. t_{WR} applied in case a write ends as CE1#s or WE# going high.
4. t_{AS} is measured from the address valid to the beginning of write.
5. A write occurs during the overlap (t_{WP}) of low CE#1 and low WE#. A write begins when CE1#s goes low and WE# goes low when asserting UB#s or LB#s for a single byte operation or simultaneously asserting UB#s and LB#s for a double byte operation. A write ends at the earliest transition when CE1#s goes high and WE# goes high. The t_{WP} is measured from the beginning of write to the end of write.

Figure 28. Pseudo SRAM Write Cycle—WE# Control

PSEUDO SRAM AC CHARACTERISTICS



Notes:

1. CE1#s controlled.
2. t_{CW} is measured from CE1#s going low to the end of write.
3. t_{WR} is measured from the end of write to the address change. t_{WR} applied in case a write ends as CE1#s or WE# going high.
4. t_{AS} is measured from the address valid to the beginning of write.
5. A write occurs during the overlap (t_{WP}) of low CE1#s and low WE#. A write begins when CE1#s goes low and WE# goes low when asserting UB#s or LB#s for a single byte operation or simultaneously asserting UB#s and LB#s for a double byte operation. A write ends at the earliest transition when CE1#s goes high and WE# goes high. The t_{WP} is measured from the beginning of write to the end of write.

Figure 29. Pseudo SRAM Write Cycle—CE1#s Control

FLASH ERASE AND PROGRAMMING PERFORMANCE

Parameter		Typ (Note 1)	Max (Note 2)	Unit	Comments
Sector Erase Time		0.5	15	sec	
Chip Erase Time		32	128	sec	
Single Word Program Time (Note 3)	Word	100		μs	
Accelerated Single Word Program Time (Note 3)	Word	90		μs	
Total Write Buffer Program Time (Note 4)		352		μs	
Effective Write Buffer Program Time (Note 5)	Per Word	22		μs	
Total Accelerated Effective Write Buffer Program Time (Note 4)		282		μs	
Effective Accelerated Write Buffer Program Time (Note 4)	Word	17.6		μs	
Chip Program Time		92		sec	

Notes:

1. Typical program and erase times assume the following conditions: 25°C, 3.0 V V_{CC} . Programming specifications assume that all bits are programmed to 00h.
2. Maximum values are measured at $V_{CC} = 3.0$ V, worst case temperature. Maximum values are valid up to and including 100,000 program/erase cycles.
3. Word programming specification is based upon a single word programming operation not utilizing the write buffer.
4. For 1-16 words programmed in a single write buffer programming operation.
5. Effective write buffer specification is calculated on a per-word basis for a 16-word write buffer operation.
6. In the pre-programming step of the Embedded Erase algorithm, all bits are programmed to 00h before erasure.
7. System-level overhead is the time required to execute the command sequence(s) for the program command. See Tables 12 and 11 for further information on command definitions.
8. The device has a minimum erase and program cycle endurance of 100,000 cycles.

LATCHUP CHARACTERISTICS

Description	Min	Max
Input voltage with respect to V_{SS} on all pins except I/O pins (including A9, OE#, and RESET#)	-1.0 V	12.5 V
Input voltage with respect to V_{SS} on all I/O pins	-1.0 V	$V_{CC} + 1.0$ V
V_{CC} Current	-100 mA	+100 mA

Note: Includes all pins except V_{CC} . Test conditions: $V_{CC} = 3.0$ V, one pin at a time.

BGA PACKAGE CAPACITANCE

Parameter Symbol	Parameter Description	Test Setup		Typ	Max	Unit
C_{IN}	Input Capacitance	$V_{IN} = 0$	Fine-pitch BGA	4.2	5.0	pF
C_{OUT}	Output Capacitance	$V_{OUT} = 0$	Fine-pitch BGA	5.4	6.5	pF
C_{IN2}	Control Pin Capacitance	$V_{IN} = 0$	Fine-pitch BGA	3.9	4.7	pF

Notes:

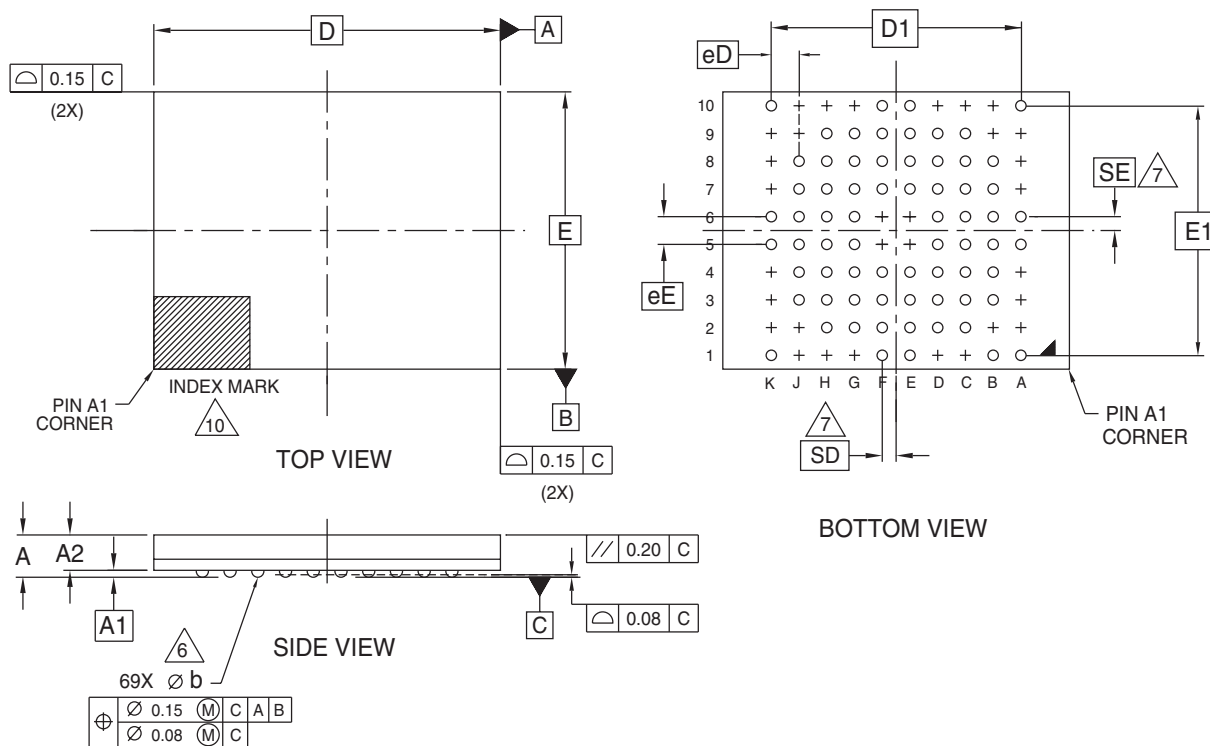
1. Sampled, not 100% tested.
2. Test conditions $T_A = 25^\circ\text{C}$, $f = 1.0$ MHz.

DATA RETENTION

Parameter Description	Test Conditions	Min	Unit
Minimum Pattern Data Retention Time	150°C	10	Years
	125°C	20	Years

PHYSICAL DIMENSIONS

TLB069—69-Ball Fine-pitch Ball Grid Array (FBGA) 8 x 10 mm Package



NOTES:

- DIMENSIONING AND TOLERANCING METHODS PER ASME Y14.5M-1994.
- ALL DIMENSIONS ARE IN MILLIMETERS.
- BALL POSITION DESIGNATION PER JESD 95-1, SPP-010.
- e REPRESENTS THE SOLDER BALL GRID PITCH.
- SYMBOL "MD" IS THE BALL MATRIX IN THE "D" DIRECTION. SYMBOL "ME" IS THE BALL MATRIX IN THE "E" DIRECTION. n IS THE NUMBER OF POPULATED SOLDER BALL POSITIONS FOR MATRIX SIZE MD X ME.
- $\Delta 6$: DIMENSION "b" IS MEASURED AT THE MAXIMUM BALL DIAMETER IN A PLANE PARALLEL TO DATUM C.
- $\Delta 7$: SD AND SE ARE MEASURED WITH RESPECT TO DATUMS A AND B AND DEFINE THE POSITION OF THE CENTER SOLDER BALL IN THE OUTER ROW. WHEN THERE IS AN ODD NUMBER OF SOLDER BALLS IN THE OUTER ROW SD OR SE = 0.000. WHEN THERE IS AN EVEN NUMBER OF SOLDER BALLS IN THE OUTER ROW, SD OR SE = $\lfloor E/2 \rfloor$
- "+" INDICATES THE THEORETICAL CENTER OF DEPOPULATED BALLS.
- NOT USED.
- $\Delta 10$: A1 CORNER TO BE IDENTIFIED BY CHAMFER, LASER OR INK MARK, METALLIZED MARK INDENTATION OR OTHER MEANS.

PACKAGE	TLB 069			NOTE
JEDEC	N/A			
	10.00 mm X 8.00 mm PACKAGE			
SYMBOL	MIN.	NOM.	MAX.	
A	---	---	1.20	PROFILE
A1	0.20	---	---	BALL HEIGHT
A2	0.81	---	0.97	BODY THICKNESS
D	10.00 BSC			BODY SIZE
E	8.00 BSC			BODY SIZE
D1	7.20 BSC			MATRIX FOOTPRINT
E1	7.20 BSC			MATRIX FOOTPRINT
MD	10			MATRIX SIZE D DIRECTION
ME	10			MATRIX SIZE E DIRECTION
n	69			BALL COUNT
$\varnothing b$	0.33	---	0.43	BALL DIAMETER
eE	0.80 BSC			BALL PITCH
eD	0.80 BSC			BALL PITCH
SD/SE	0.40 BSC			SOLDER BALL PLACEMENT
	A2,A3,A4,A7,A8,A9,B2,B9,B10 C1,C10,D1,D10,E5,E6,F5,F6 G1,G10,H1,H10 J1,J2,J9,J10,K2,K3,K4,K7,K8,K9			DEPOPULATED SOLDER BALLS

w052903-163814C

REVISION SUMMARY**Revision A (November 5, 2003)**

Initial release.

Trademarks

Copyright © 2003 Advanced Micro Devices, Inc. All rights reserved.

AMD, the AMD logo, and combinations thereof are registered trademarks of Advanced Micro Devices, Inc.

ExpressFlash is a trademark of Advanced Micro Devices, Inc.

Product names used in this publication are for identification purposes only and may be trademarks of their respective companies.