
T-1³/₄ Super Ultra-Bright LED Lamps

Technical Data

HLMP-C115
HLMP-C117 HLMP-C123
HLMP-C215 HLMP-C223
HLMP-C315 HLMP-C323
HLMP-C415 HLMP-C423
HLMP-C515 HLMP-C523
HLMP-C615 HLMP-C623

Features

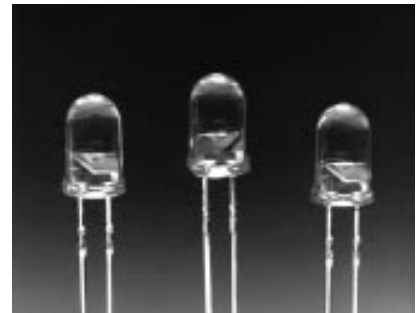
- **Very High Intensity**
- **Exceptional Uniformity**
- **Microtint Lens for Color Identification**
- **Consistent Viewability**
All Colors:
AlGaAs Red
High Efficiency Red
Yellow
Orange
Green
Emerald Green
- **15° and 25° Family**
- **Tape and Reel Options Available**
- **Binned for Color and Intensity**

Applications

- **Ideal for Backlighting Front Panels***
- **Used for Lighting Switches**
- **Adapted for Indoor and Outdoor Signs**

Description

These non-diffused lamps are designed to produce a bright light source and smooth radiation pattern. A slight tint is added to the lens for easy color identification. This lamp has been designed with a 20 mil lead frame, enhanced



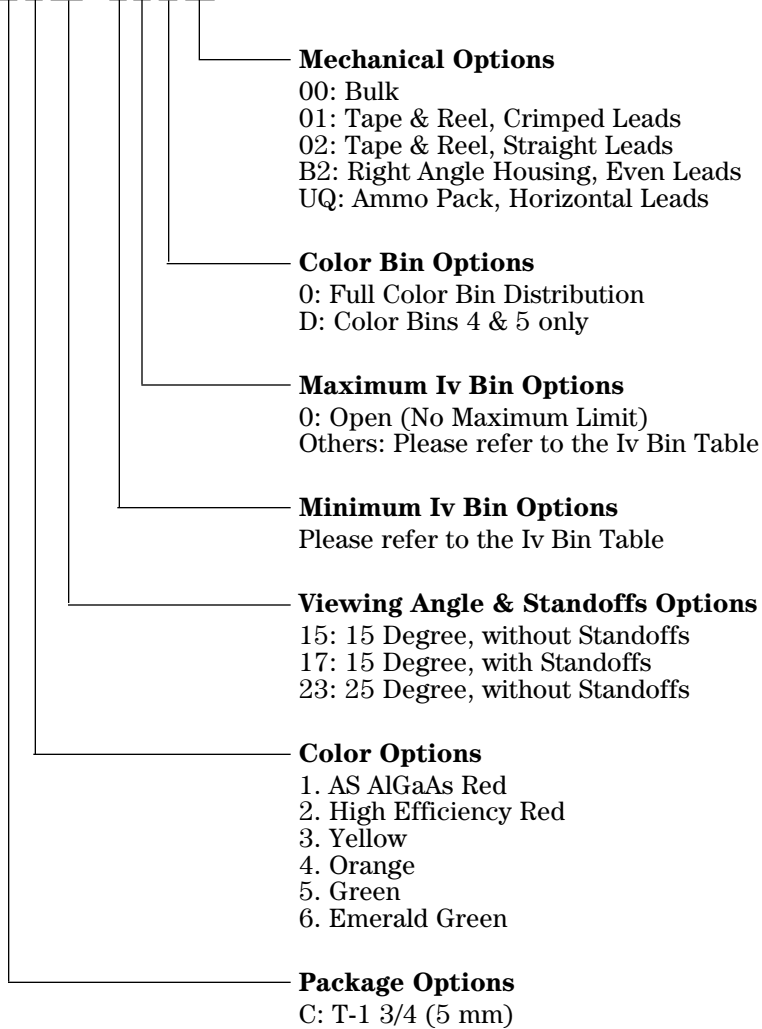
flange, and tight meniscus controls, making it compatible with radial lead automated insertion equipment.

Selection Guide

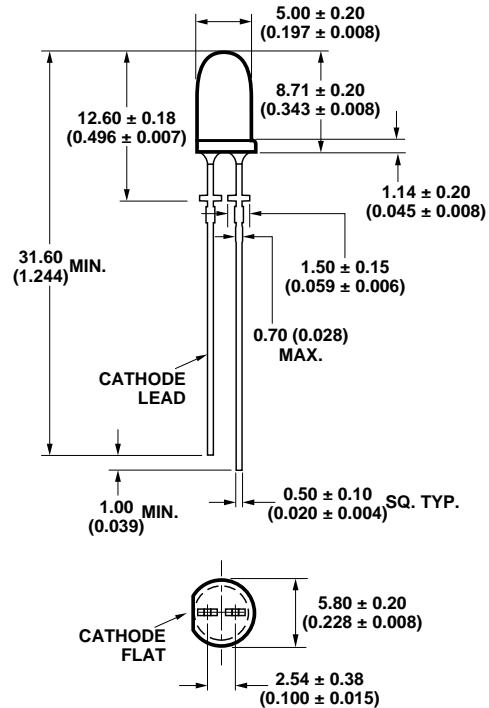
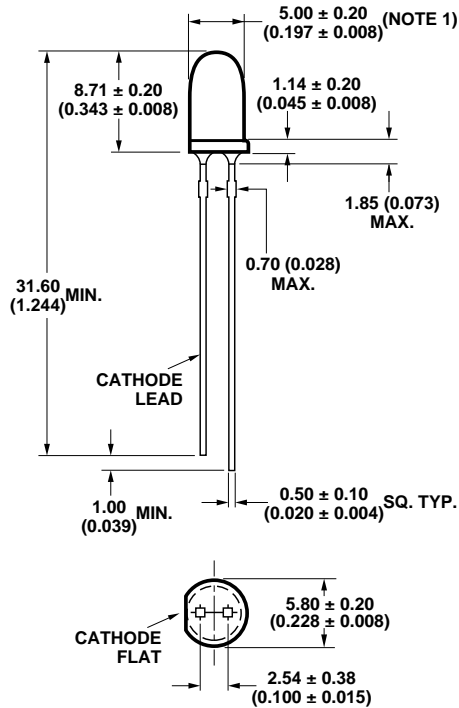
Color	20 ^{1/2} [1]	Standoff Leads	Part Number HLMP-	Luminous Intensity Iv (mcd)	
				Min.	Max.
DH AS AlGaAs	15	No	C115	290.0	-
			C115-O00xx	290.0	-
			C115-OP0xx	290.0	1000.0
	25	No	C117-OP0xx	290.0	1000.0
			C123	90.2	-
Red	15	No	C123-L00xx	90.2	-
			C215	138.0	-
			C215-M00xx	138.0	-
	25	No	C215-MN0xx	138.0	400.0
			C223	90.2	-
			C223-L00xx	90.2	-
Yellow	15	No	C223-MN0xx	138.0	400.0
			C315	147.0	-
			C315-L00xx	147.0	-
	25	No	C315-LM0xx	147.0	424.0
			C323	96.2	-
			C323-K00xx	96.2	-
Orange	15	No	C323-KL0xx	96.2	294.0
			C415	138.0	-
			C415-M00xx	138.0	-
	25	No	C415-M0D0xx	138.0	-
			C415-MN0xx	138.0	400.0
			C423	90.2	-
Green	15	No	C423-L00xx	90.2	-
			C423-LM0xx	90.2	276.0
			C515	170.0	-
	25	No	C515-L00xx	170.0	-
			C515-LM0xx	170.0	490.0
			C523	69.8	-
Emerald Green	15	No	C523-J00xx	69.8	-
			C523-KL0xx	111.7	340.0
	25	No	C615	17.0	-
			C615-G00xx	17.0	-
25	No	C623	6.7	-	
		C623-E00xx	6.7	-	

Part Numbering System

HLMP - C x xx - x x x xx



Package Dimensions



NOTES:

1. ALL DIMENSIONS ARE IN MILLIMETERS (INCHES).
2. LEADS ARE MILD STEEL, SOLDER DIPPED.
3. AN EPOXY MENISCUS MAY EXTEND ABOUT 0.5 mm (0.020 in.) DOWN THE LEADS.

HLMP-Cx15 and HLMP-Cx23

HLMP-Cx17

Absolute Maximum Ratings at $T_A = 25^\circ\text{C}$

Parameter	DH AS AlGaAs Red	High Efficiency Red and Orange	Yellow	High Performance Green and Emerald Green	Units
DC Forward Current ^[1]	30	30	20	30	mA
Transient Forward Current ^[2] (10 μsec Pulse)	500	500	500	500	mA
Reverse Voltage ($I_r = 100 \mu\text{A}$)	5	5	5	5	V
LED Junction Temperature	110	110	110	110	$^\circ\text{C}$
Operating Temperature Range	-20 to +100	-55 to +100		-20 to +100	$^\circ\text{C}$
Storage Temperature Range	-55 to +100				$^\circ\text{C}$
Lead Soldering Temperature [1.6 mm (0.063 in.) from body]	260 $^\circ\text{C}$ for 5 seconds				

Notes:

1. See Figure 5 for maximum current derating vs. ambient temperature.
2. The transient current is the maximum nonrecurring peak current the device can withstand without damaging the LED die and wire bond.

Electrical Characteristics at $T_A = 25^\circ\text{C}$

Part Number	Forward Voltage Vf (Volts) @ If = 20 mA		Reverse Breakdown Vr (Volts) @ Ir = 100 μA	Capacitance C (pF) Vf = 0 f = 1 MHz	Thermal Resistance R θ_{J-PIN} ($^\circ\text{C/W}$)	Speed of Response τ_s (ns) Time Constant e^{-t/τ_s}
	Typ.	Max.	Min.	Typ.		Typ.
HLMP-C115 HLMP-C117 HLMP-C123	1.8	2.2	5	30	210	30
HLMP-C215 HLMP-C223	1.9	2.6	5	11	210	90
HLMP-C315 HLMP-C323	2.1	2.6	5	15	210	90
HLMP-C415 HLMP-C423	1.9	2.6	5	4	210	280
HLMP-C515 HLMP-C523	2.2	3.0	5	18	210	260
HLMP-C615 HLMP-C623	2.2	3.0	5	18	210	260

Optical Characteristics at $T_A = 25^\circ\text{C}$

Part Number	Luminous Intensity Iv (mcd) @ 20 mA ^[1]		Peak Wavelength λ_{peak} (nm)	Color, Dominant Wavelength λ_d ^[2] (nm)	Viewing Angle $2\theta_{1/2}$ (Degrees) ^[3]	Luminous Efficacy η_v (lm/w)
	Min.	Typ.	Typ.	Typ.	Typ.	
HLMP-C115 HLMP-C117	290	600	645	637	11	80
HLMP-C123	90	200			26	
HLMP-C215 HLMP-C223	138 90	300 170	635	626	17 23	145
HLMP-C315 HLMP-C323	146 96	300 170			583	
HLMP-C415 HLMP-C423	138 90	300 170	600	602		17 23
HLMP-C515 HLMP-C523	170 69	300 170			568	570
HLMP-C615 HLMP-C623	17 6	45 27	558	560		

Notes:

1. The luminous intensity, I_v , is measured at the mechanical axis of the lamp package. The actual peak of the spatial radiation pattern may not be aligned with this axis.
2. The dominant wavelength, λ_d , is derived from the CIE Chromaticity Diagram and represents the color of the device.
3. $2\theta_{1/2}$ is the off-axis angle where the luminous intensity is 1/2 the on-axis intensity.

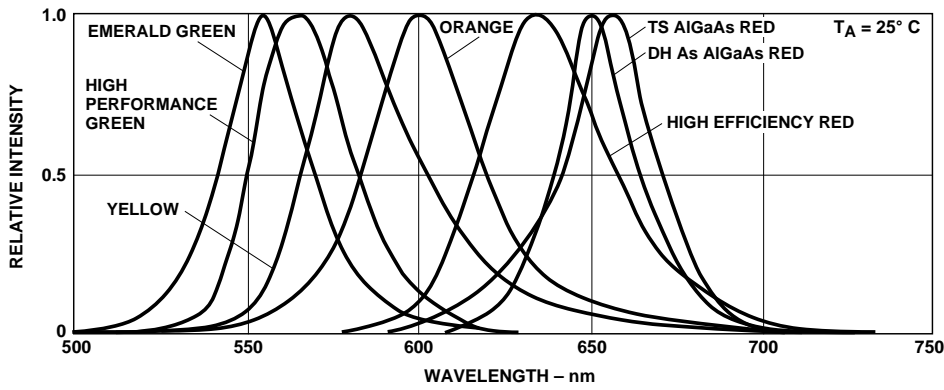


Figure 1. Relative Intensity vs. Wavelength.

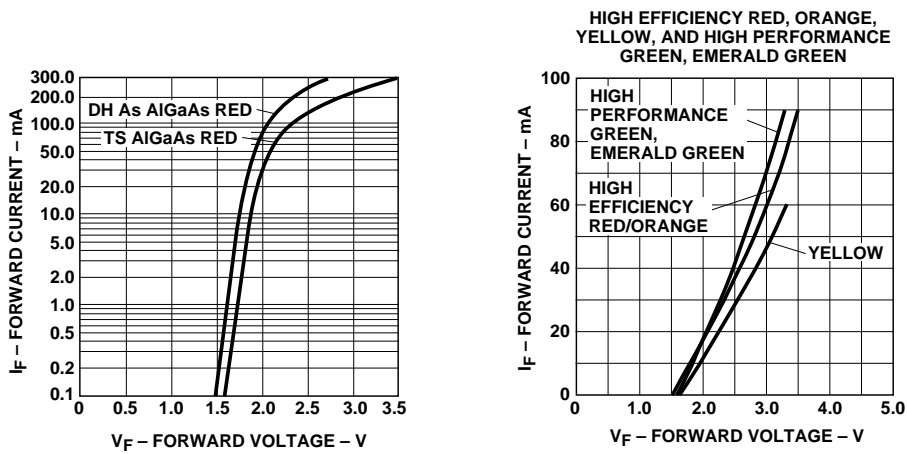


Figure 2. Forward Current vs. Forward Voltage (Non-resistor Lamp).

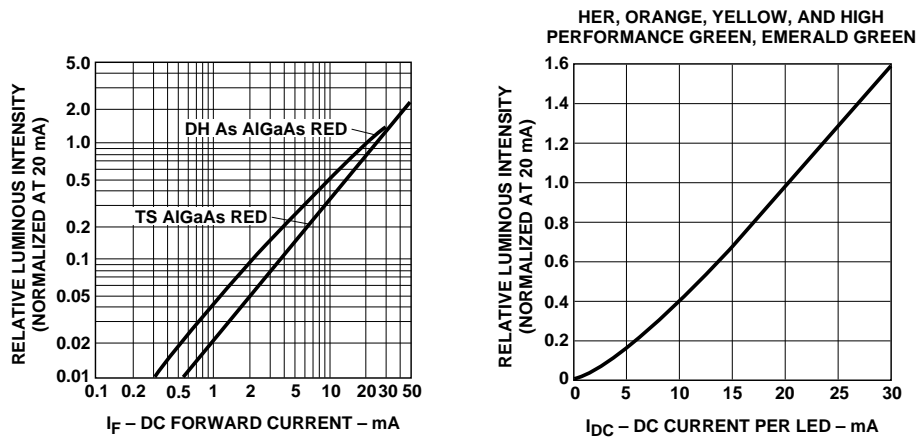


Figure 3. Relative Luminous Intensity vs. Forward Current.

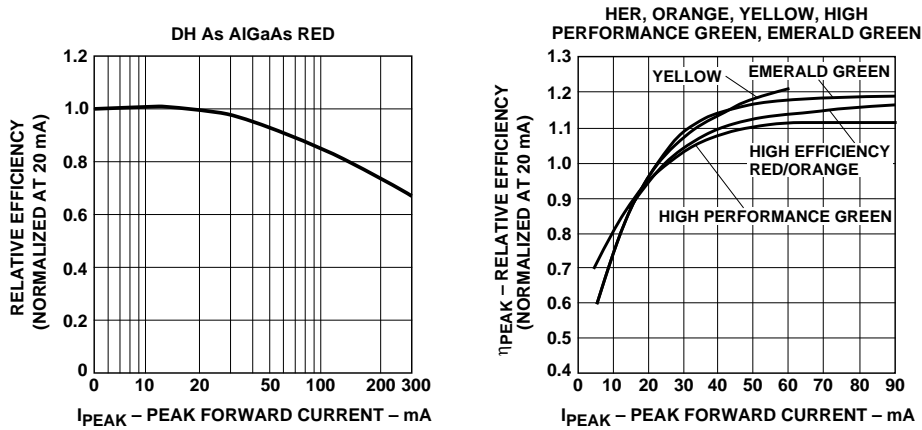


Figure 4. Relative Efficiency (Luminous Intensity per Unit Current) vs. Peak Current.

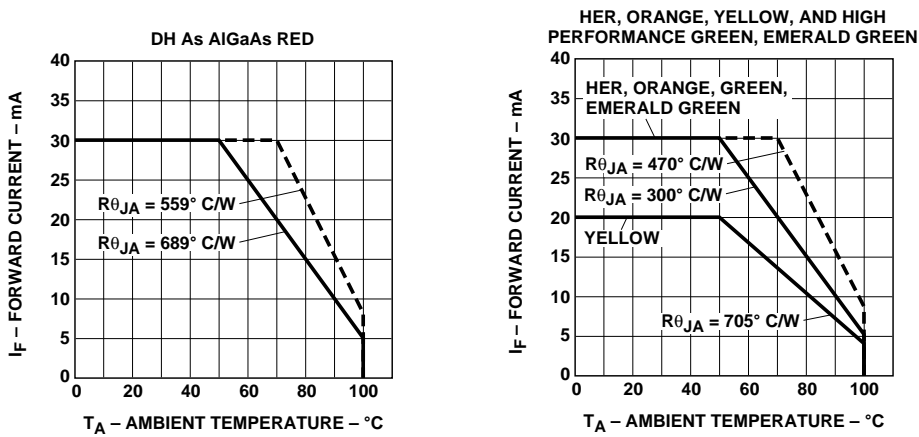


Figure 5. Maximum Forward dc Current vs. Ambient Temperature. Derating Based on $T_{jMAX} = 110^\circ \text{C}$

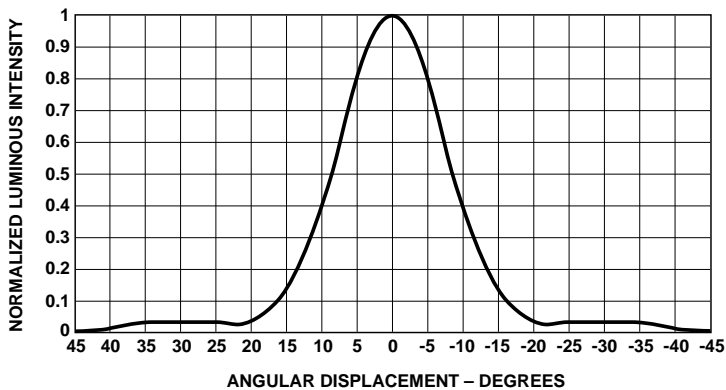


Figure 6. Relative Luminous Intensity vs. Angular Displacement. 15 Degree Family.

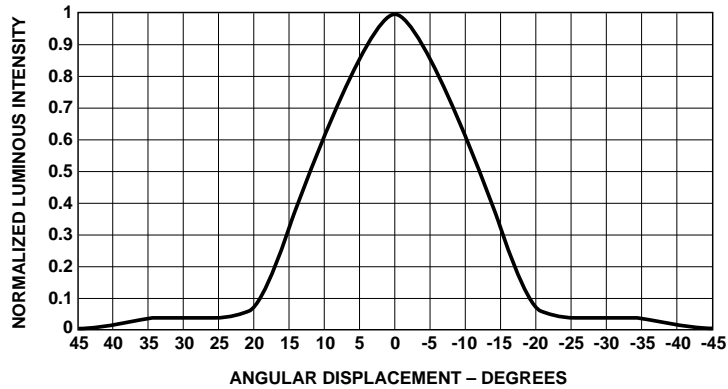


Figure 7. Relative Luminous Intensity vs. Angular Displacement. 25 Degree Family.

Intensity Bin Limits

Color	Bin	Intensity Range (mcd)	
		Min.	Max.
Red/Orange	L	101.5	162.4
	M	162.4	234.6
	N	234.6	340.0
	O	340.0	540.0
	P	540.0	850.0
	Q	850.0	1200.0
	R	1200.0	1700.0
	S	1700.0	2400.0
	T	2400.0	3400.0
	U	3400.0	4900.0
	V	4900.0	7100.0
	W	7100.0	10200.0
	X	10200.0	14800.0
Y	14800.0	21400.0	
Z	21400.0	30900.0	
Yellow	L	173.2	250.0
	M	250.0	360.0
	N	360.0	510.0
	O	510.0	800.0
	P	800.0	1250.0
	Q	1250.0	1800.0
	R	1800.0	2900.0
	S	2900.0	4700.0
	T	4700.0	7200.0
	U	7200.0	11700.0
	V	11700.0	18000.0
W	18000.0	27000.0	

Intensity Bin Limits, continued

Color	Bin	Intensity Range (mcd)	
		Min.	Max.
Green/ Emerald Green	E	7.6	12.0
	F	12.0	19.1
	G	19.1	30.7
	H	30.7	49.1
	I	49.1	78.5
	J	78.5	125.7
	K	125.7	201.1
	L	201.1	289.0
	M	289.0	417.0
	N	417.0	680.0
	O	680.0	1100.0
	P	1100.0	1800.0
	Q	1800.0	2700.0
	R	2700.0	4300.0
	S	4300.0	6800.0
	T	6800.0	10800.0
	U	10800.0	16000.0
V	16000.0	25000.0	
W	25000.0	40000.0	

Maximum tolerance for each bin limit is $\pm 18\%$.

Color Categories

Color	Category #	Lambda (nm)	
		Min.	Max.
Green	6	561.5	564.5
	5	564.5	567.5
	4	567.5	570.5
	3	570.5	573.5
	2	573.5	576.5
Yellow	1	582.0	584.5
	3	584.5	587.0
	2	587.0	589.5
	4	589.5	592.0
	5	592.0	593.0
Orange	1	597.0	599.5
	2	599.5	602.0
	3	602.0	604.5
	4	604.5	607.5
	5	607.5	610.5
	6	610.5	613.5
	7	613.5	616.5
	8	616.5	619.5

Tolerance for each bin limit is ± 0.5 nm.

Mechanical Option Matrix

Mechanical Option Code	Definition
00	Bulk Packaging, minimum increment 500 pcs/bag
01	Tape & Reel, crimped leads, minimum increment 1300 pcs/bag
02	Tape & Reel, straight leads, minimum increment 1300 pcs/bag
B2	Right Angle Housing, even leads, minimum increment 500 pcs/bag
UQ	Ammo Pack, horizontal leads, in 1K minimum increment

Note:

All categories are established for classification of products. Products may not be available in all categories. Please contact your local Agilent representative for further clarification/information.

www.semiconductor.agilent.com

Data subject to change.
Copyright © 2001 Agilent Technologies, Inc.
September 17, 2001
Obsoletes 5965-6165E
5988-2149EN