

ADM8690–ADM8695

FEATURES

Upgrade for ADM690/ADM695, MAX690–MAX695
 Specified Over Temperature
 Low Power Consumption (0.7 mW)
 Precision Voltage Monitor
 Reset Assertion Down to 1 V V_{CC}
 Low Switch On-Resistance 0.7 Ω Normal,
 7 Ω in Backup
 High Current Drive (100 mA)
 Watchdog Timer—100 ms, 1.6 s, or Adjustable
 400 nA Standby Current
 Automatic Battery Backup Power Switching
 Extremely Fast Gating of Chip Enable Signals (3 ns)
 Voltage Monitor for Power Fail
 Available in TSSOP Package

APPLICATIONS

Microprocessor Systems
 Computers
 Controllers
 Intelligent Instruments
 Automotive Systems

GENERAL DESCRIPTION

The ADM8690–ADM8695 family of supervisory circuits offers complete single chip solutions for power supply monitoring and battery control functions in microprocessor systems. These functions include μ P reset, backup battery switchover, watchdog timer, CMOS RAM write protection and power failure warning. The complete family provides a variety of configurations to satisfy most microprocessor system requirements.

The ADM8690, ADM8692 and ADM8694 are available in 8-pin DIP packages and provide:

1. Power-on reset output during power-up, power-down and brownout conditions. The **RESET** output remains operational with V_{CC} as low as 1 V.
2. Battery backup switching for CMOS RAM, CMOS microprocessor or other low power logic.
3. A reset pulse if the optional watchdog timer has not been toggled within a specified time.
4. A 1.3 V threshold detector for power fail warning, low battery detection or to monitor a power supply other than +5 V.

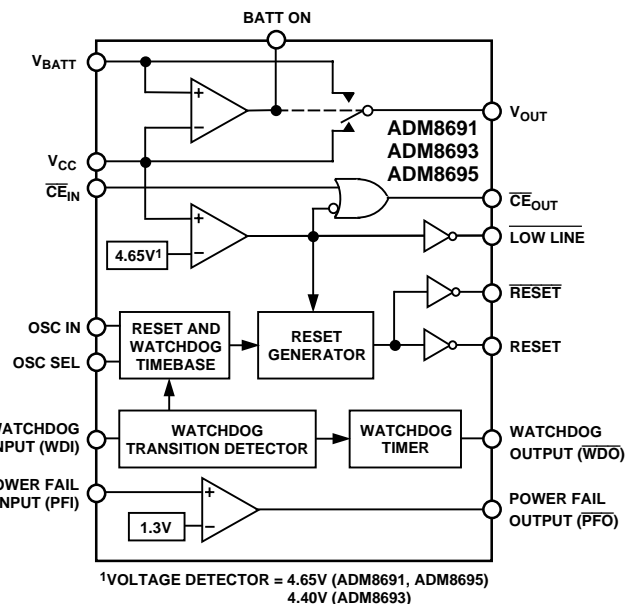
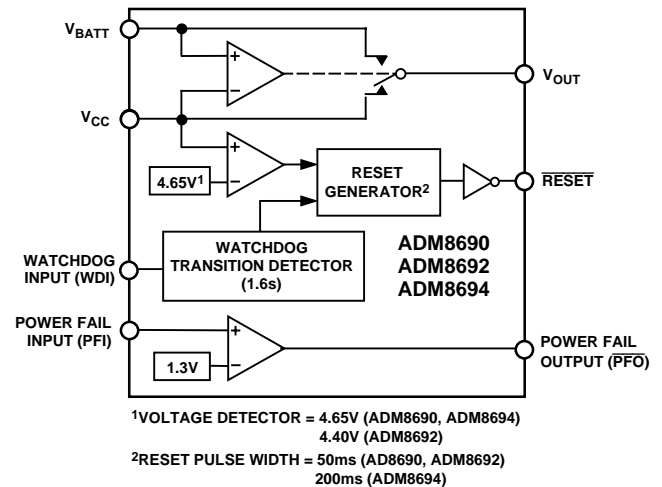
The ADM8691, ADM8693 and ADM8695 are available in 16-pin DIP and small outline packages (including TSSOP) and provide three additional functions:

1. Write protection of CMOS RAM or EEPROM.
2. Adjustable reset and watchdog timeout periods.
3. Separate watchdog timeout, backup battery switchover, and low V_{CC} status outputs.

REV. 0

Information furnished by Analog Devices is believed to be accurate and reliable. However, no responsibility is assumed by Analog Devices for its use, nor for any infringements of patents or other rights of third parties which may result from its use. No license is granted by implication or otherwise under any patent or patent rights of Analog Devices.

FUNCTIONAL BLOCK DIAGRAMS



The ADM8690–ADM8695 family is fabricated using an advanced epitaxial CMOS process combining low power consumption (0.7 mW), extremely fast Chip Enable gating (3 ns) and high reliability. **RESET** assertion is guaranteed with V_{CC} as low as 1 V. In addition, the power switching circuitry is designed for minimal voltage drop thereby permitting increased output current drive of up to 100 mA without the need of an external pass transistor.

ADM8690–ADM8695–SPECIFICATIONS (V_{CC} = Full Operating Range, $V_{BATT} = +2.8$ V, $T_A = T_{MIN}$ to T_{MAX} unless otherwise noted)

| Parameter | Min | Typ | Max | Units | Test Conditions/Comments |
|---|--------------------|--------------------|-------|---------|--|
| BATTERY BACKUP SWITCHING | | | | | |
| V_{CC} Operating Voltage Range | | | | | |
| ADM8690, ADM8691, ADM8694, ADM8695 | 4.75 | | 5.5 | V | |
| ADM8692, ADM8693 | 4.5 | | 5.5 | V | |
| V_{BATT} Operating Voltage Range | | | | | |
| ADM8690, ADM8691, ADM8694, ADM8695 | 2.0 | | 4.25 | V | |
| ADM8692, ADM8693 | 2.0 | | 4.0 | V | |
| V_{OUT} Output Voltage | $V_{CC} - 0.005$ | $V_{CC} - 0.0025$ | | V | $I_{OUT} = 1$ mA |
| | $V_{CC} - 0.2$ | $V_{CC} - 0.125$ | | V | $I_{OUT} \leq 100$ mA |
| | $V_{BATT} - 0.005$ | $V_{BATT} - 0.002$ | | V | $I_{OUT} = 250$ μ A, $V_{CC} < V_{BATT} - 0.2$ V |
| V_{OUT} in Battery Backup Mode | | | | V | $I_{OUT} = 100$ μ A |
| Supply Current (Excludes I_{OUT}) | | 140 | 200 | μ A | $V_{CC} = 0$ V, $V_{BATT} = 2.8$ V |
| Supply Current in Battery Backup Mode | | 0.4 | 1 | μ A | 5.5 V $> V_{CC} > V_{BATT} + 0.2$ V |
| Battery Standby Current (+ = Discharge, - = Charge) | -0.1 | | +0.02 | μ A | $T_A = +25^\circ$ C |
| Battery Switchover Threshold | | 70 | | mV | Power-Up |
| $V_{CC} - V_{BATT}$ | | 50 | | mV | Power-Down |
| Battery Switchover Hysteresis | | 20 | | mV | |
| BATT ON Output Voltage | | | 0.3 | V | $I_{SINK} = 3.2$ mA |
| BATT ON Output Short Circuit Current | 0.5 | 2.5 | 25 | μ A | BATT ON = $V_{OUT} = 4.5$ V Sink Current BATT ON = 0 V Source Current |
| RESET AND WATCHDOG TIMER | | | | | |
| Reset Voltage Threshold | | | | | |
| ADM8690, ADM8691, ADM8694, ADM8695 | 4.5 | 4.65 | 4.73 | V | |
| ADM8692, ADM8693 | 4.25 | 4.4 | 4.48 | V | |
| Reset Threshold Hysteresis | | 40 | | mV | |
| Reset Timeout Delay | | | | | |
| ADM8690, ADM8691, ADM8692, ADM8693 | 35 | 50 | 70 | ms | OSC SEL = HIGH |
| ADM8694, ADM8695 | 140 | 200 | 280 | ms | OSC SEL = HIGH |
| Watchdog Timeout Period, Internal Oscillator | 1.0 | 1.6 | 2.25 | s | Long Period |
| | 70 | 100 | 140 | ms | Short Period |
| Watchdog Timeout Period, External Clock | 3840 | 4064 | 4097 | Cycles | Long Period |
| | 768 | 1011 | 1025 | Cycles | Short Period |
| Minimum WDI Input Pulse Width | 50 | | | ns | $V_{IL} = 0.4$, $V_{IH} = 3.5$ V |
| $\overline{\text{RESET}}$ Output Voltage @ $V_{CC} = +1$ V | | 4 | 20 | mV | $I_{SINK} = 10$ μ A, $V_{CC} = 1$ V |
| $\overline{\text{RESET}}$, $\overline{\text{LOW LINE}}$ Output Voltage | | 0.05 | 0.4 | V | $I_{SINK} = 1.6$ mA, $V_{CC} = 4.25$ V |
| | 3.5 | | | V | $I_{SOURCE} = 1$ μ A |
| $\overline{\text{RESET}}$, $\overline{\text{WDO}}$ Output Voltage | | | 0.4 | V | $I_{SINK} = 1.6$ mA |
| | 3.5 | | | V | $I_{SOURCE} = 1$ μ A |
| Output Short Circuit Source Current | 1 | 10 | 25 | μ A | |
| Output Short Circuit Sink Current | | 25 | | mA | |
| WDI Input Threshold | | | | | Note 1 |
| Logic Low | | | 0.8 | V | |
| Logic High | 3.5 | | | V | |
| WDI Input Current | | 1 | 10 | μ A | $\text{WDI} = V_{OUT}$ |
| | -10 | -1 | | μ A | $\text{WDI} = 0$ V |
| POWER FAIL DETECTOR | | | | | |
| PFI Input Threshold | 1.25 | 1.3 | 1.35 | V | $V_{CC} = +5$ V |
| PFI Input Current | -25 | ± 0.01 | +25 | nA | |
| PFO Output Voltage | | | 0.4 | V | $I_{SINK} = 3.2$ mA |
| | 3.5 | | | V | $I_{SOURCE} = 1$ μ A |
| $\overline{\text{PFO}}$ Short Circuit Source Current | 1 | 3 | 25 | μ A | $\text{PFI} = \text{Low}$, $\overline{\text{PFO}} = 0$ V |
| $\overline{\text{PFO}}$ Short Circuit Sink Current | | 25 | | mA | $\text{PFI} = \text{High}$, $\overline{\text{PFO}} = V_{OUT}$ |
| CHIP ENABLE GATING | | | | | |
| $\overline{\text{CE}}_{IN}$ Threshold | | | 0.8 | V | V_{IL} |
| | 3.0 | | | V | V_{IH} |
| $\overline{\text{CE}}_{IN}$ Pull-Up Current | | 3 | | μ A | |
| $\overline{\text{CE}}_{OUT}$ Output Voltage | | | 0.4 | V | $I_{SINK} = 3.2$ mA |
| | $V_{OUT} - 1.5$ | | | V | $I_{SOURCE} = 3.0$ mA |
| | $V_{OUT} - 0.05$ | | | V | $I_{SOURCE} = 1$ μ A, $V_{CC} = 0$ V |
| $\overline{\text{CE}}$ Propagation Delay | | 3 | 7 | ns | |

| Parameter | Min | Typ | Max | Units | Test Conditions/Comments |
|--|-----|-----|-----|-------|---|
| OSCILLATOR | | | | | |
| OSC IN Input Current | | ±2 | | μA | |
| OSC SEL Input Pull-Up Current | | 5 | | μA | |
| OSC IN Frequency Range | 0 | | 500 | kHz | OSC SEL = 0 V |
| OSC IN Frequency with External Capacitor | | 4 | | kHz | OSC SEL = 0 V, C _{OSC} = 47 pF |

NOTE

¹WDI is a three level input which is internally biased to 38% of V_{CC} and has an input impedance of approximately 5 MΩ.

Specifications subject to change without notice.

ABSOLUTE MAXIMUM RATINGS*

(T_A = +25°C unless otherwise noted)

| | |
|--|------------------------------------|
| V _{CC} | -0.3 V to +6 V |
| V _{BATT} | -0.3 V to +6 V |
| All Other Inputs | -0.3 V to V _{OUT} + 0.5 V |
| Input Current | |
| V _{CC} | 200 mA |
| V _{BATT} | 50 mA |
| GND | 20 mA |
| Digital Output Current | 20 mA |
| Power Dissipation, N-8 DIP | 400 mW |
| θ _{JA} Thermal Impedance | 120°C/W |
| Power Dissipation, N-16 DIP | 600 mW |
| θ _{JA} Thermal Impedance | 135°C/W |
| Power Dissipation, RU-16 DIP | 600 mW |
| θ _{JA} Thermal Impedance | 158°C/W |
| Power Dissipation, R-16 SOIC | 600 mW |
| θ _{JA} Thermal Impedance | 110°C/W |
| Operating Temperature Range | |
| Industrial (A Version) | -40°C to +85°C |
| Extended (S Version) | -55°C to +125°C |
| Lead Temperature (Soldering, 10 sec) | +300°C |
| Vapor Phase (60 sec) | +215°C |
| Infrared (15 sec) | +220°C |
| Storage Temperature Range | -65°C to +150°C |

*Stresses above those listed under Absolute Maximum Ratings may cause permanent damage to the device. This is a stress rating only; functional operation of the device at these or any other conditions above those listed in the operational sections of this specification is not implied. Exposure to absolute maximum ratings for extended periods of time may affect device reliability.

CAUTION

ESD (electrostatic discharge) sensitive device. Electrostatic charges as high as 4000 V readily accumulate on the human body and test equipment and can discharge without detection. Although the ADM8690–ADM8695 features proprietary ESD protection circuitry, permanent damage may occur on devices subjected to high energy electrostatic discharges. Therefore, proper ESD precautions are recommended to avoid performance degradation or loss of functionality.

ORDERING GUIDE

| Model | Temperature Range | Package Options* |
|------------|-------------------|------------------|
| ADM8690AN | -40°C to +85°C | N-8 |
| ADM8690ARN | -40°C to +85°C | SO-8 |
| ADM8691AN | -40°C to +85°C | N-16 |
| ADM8691ARN | -40°C to +85°C | R-16A |
| ADM8691ARW | -40°C to +85°C | R-16 |
| ADM8691ARU | -40°C to +85°C | RU-16 |
| ADM8692AN | -40°C to +85°C | N-8 |
| ADM8692ARN | -40°C to +85°C | SO-8 |
| ADM8693AN | -40°C to +85°C | N-16 |
| ADM8693ARN | -40°C to +85°C | R-16A |
| ADM8693ARW | -40°C to +85°C | R-16 |
| ADM8693ARU | -40°C to +85°C | RU-16 |
| ADM8694AN | -40°C to +85°C | N-8 |
| ADM8694ARN | -40°C to +85°C | SO-8 |
| ADM8695AN | -40°C to +85°C | N-16 |
| ADM8695ARW | -40°C to +85°C | R-16 |

*N = Plastic DIP; R = Small Outline (Wide); R = Small Outline (Narrow); RU = Thin Shrink Small Outline; SO = Small Outline.

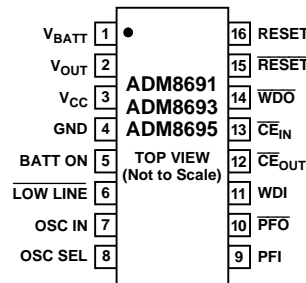
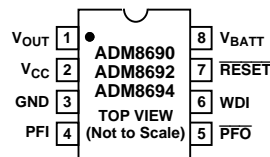


ADM8690–ADM8695

PIN FUNCTION DESCRIPTION

| Mnemonic | Function |
|-----------------------|---|
| V_{CC} | Power Supply Input: +5 V Nominal. |
| V_{BATT} | Backup Battery Input. |
| V_{OUT} | Output Voltage, V_{CC} or V_{BATT} is internally switched to V_{OUT} depending on which is at the highest potential. V_{OUT} can supply up to 100 mA to power CMOS RAM. Connect V_{OUT} to V_{CC} if V_{OUT} and V_{BATT} are not used. |
| GND | 0 V. Ground reference for all signals. |
| \overline{RESET} | Logic Output. \overline{RESET} goes low if <ol style="list-style-type: none"> V_{CC} falls below the Reset Threshold The watchdog timer is not serviced within its timeout period. <p>The reset threshold is typically 4.65 V for the ADM8690/ADM8691/ADM8694/ADM8695 and 4.4 V for the ADM8692 and ADM8693. \overline{RESET} remains low for 50 ms (ADM8690/ADM8691/ADM8692/ADM8693) or 200 ms (ADM8694/ADM8695) after V_{CC} returns above the threshold. \overline{RESET} also goes low for 50 (200) ms if the watchdog timer is enabled but not serviced within its timeout period. The \overline{RESET} pulse width can be adjusted on the ADM8691/ADM8693/ADM8695 as shown in Table I. The \overline{RESET} output has an internal 3 μA pull up, and can either connect to an open collector Reset bus or directly drive a CMOS gate without an external pull-up resistor.</p> |
| WDI | Watchdog Input. WDI is a three level input. If WDI remains either high or low for longer than the watchdog timeout period, \overline{RESET} pulses low and WDO goes low. The timer resets with each transition on the WDI line. The watchdog timer may be disabled if WDI is left floating or is driven to midsupply. |
| PFI | Power Fail Input. PFI is the noninverting input to the Power Fail Comparator when PFI is less than 1.3 V, \overline{PFO} goes low. Connect PFI to GND or V_{OUT} when not used. |
| \overline{PFO} | Power Fail Output. \overline{PFO} is the output of the Power Fail Comparator. It goes low when PFI is less than 1.3 V. The comparator is turned off and \overline{PFO} goes low when V_{CC} is below V_{BATT} . |
| \overline{CE}_{IN} | Logic Input. The input to the \overline{CE} gating circuit. Connect to GND or V_{OUT} if not used. |
| \overline{CE}_{OUT} | Logic Output. \overline{CE}_{OUT} is a gated version of the \overline{CE}_{IN} signal. \overline{CE}_{OUT} tracks \overline{CE}_{IN} when V_{CC} is above the reset threshold. If V_{CC} is below the reset threshold, \overline{CE}_{OUT} is forced high. See Figures 5 and 6. |
| BATT ON | Logic Output. BATT ON goes high when V_{OUT} is internally switched to the V_{BATT} input. It goes low when V_{OUT} is internally switched to V_{CC} . The output typically sinks 35 mA and can directly drive the base of an external PNP transistor to increase the output current above the 100 mA rating of V_{OUT} . |
| $\overline{LOW LINE}$ | Logic Output. $\overline{LOW LINE}$ goes low when V_{CC} falls below the reset threshold. It returns high as soon as V_{CC} rises above the reset threshold. |
| RESET | Logic Output. RESET is an active high output. It is the inverse of \overline{RESET} . |
| OSC SEL | Logic Oscillator Select Input. When OSC SEL is unconnected (floating) or driven high, the internal oscillator sets the reset active time and watchdog timeout period. When OSC SEL is low, the external oscillator input, OSC IN, is enabled. OSC SEL has a 3 μ A internal pull-up (see Table I). |
| OSC IN | Oscillator Logic Input. With OSC SEL low, OSC IN can be driven by an external clock signal or an external capacitor can be connected between OSC IN and GND. This sets both the reset active pulse timing and the watchdog timeout period (see Table I and Figure 4). With OSC SEL high or floating, the internal oscillator is enabled and the reset active time is fixed at 50 ms typ. (ADM8691/ADM8693) or 200 ms typ (ADM8695). In this mode the OSC IN pin selects between fast (100 ms) and slow (1.6 s) watchdog timeout periods. In both modes, the timeout period immediately after a reset is 1.6 s typical. |
| \overline{WDO} | Logic Output. The Watchdog Output, \overline{WDO} , goes low if WDI remains either high or low for longer than the watchdog timeout period. \overline{WDO} is set high by the next transition at WDI. If WDI is unconnected or at midsupply, the watchdog timer is disabled and \overline{WDO} remains high. \overline{WDO} also goes high when $\overline{LOW LINE}$ goes low. |

PIN CONFIGURATIONS



PRODUCT SELECTION GUIDE

| Part Number | Nominal Reset Time | Nominal V_{CC} Reset Threshold | Nominal Watchdog Timeout Period | Battery Backup Switching | Base Drive Ext PNP | Chip Enable Signals |
|-------------|--------------------|----------------------------------|---------------------------------|--------------------------|--------------------|---------------------|
| ADM8690 | 50 ms | 4.65 V | 1.6 s | Yes | No | No |
| ADM8691 | 50 ms or ADJ | 4.65 V | 100 ms, 1.6 s, ADJ | Yes | Yes | Yes |
| ADM8692 | 50 ms | 4.4 V | 1.6 s | Yes | No | No |
| ADM8693 | 50 ms or ADJ | 4.4 V | 100 ms, 1.6 s, ADJ | Yes | Yes | Yes |
| ADM8694 | 200 ms | 4.65 V | 1.6 s | Yes | No | No |
| ADM8695 | 200 ms or ADJ | 4.65 V | 100 ms, 1.6 s, ADJ | Yes | Yes | Yes |

CIRCUIT INFORMATION

Battery Switchover Section

The battery switchover circuit compares V_{CC} to the V_{BATT} input, and connects V_{OUT} to whichever is higher. Switchover occurs when V_{CC} is 50 mV higher than V_{BATT} as V_{CC} falls, and when V_{CC} is 70 mV greater than V_{BATT} as V_{CC} rises. This 20 mV of hysteresis prevents repeated rapid switching if V_{CC} falls very slowly or remains nearly equal to the battery voltage.

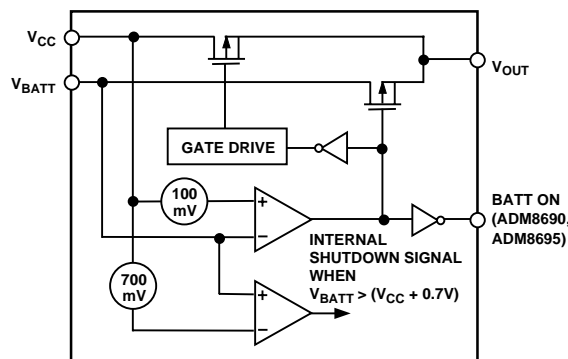


Figure 1. Battery Switchover Schematic

During normal operation, with V_{CC} higher than V_{BATT} , V_{CC} is internally switched to V_{OUT} via an internal PMOS transistor switch. This switch has a typical on-resistance of 0.7Ω and can supply up to 100 mA at the V_{OUT} terminal. V_{OUT} is normally used to drive a RAM memory bank which may require instantaneous currents of greater than 100 mA. If this is the case then a bypass capacitor should be connected to V_{OUT} . The capacitor will provide the peak current transients to the RAM. A capacitance value of $0.1 \mu\text{F}$ or greater may be used.

If the continuous output current requirement at V_{OUT} exceeds 100 mA, or if a lower $V_{CC}-V_{OUT}$ voltage differential is desired, an external PNP pass transistor may be connected in parallel with the internal transistor. The BATT ON output (ADM8691/ADM8693/ADM8695) can directly drive the base of the external transistor.

A 7Ω MOSFET switch connects the V_{BATT} input to V_{OUT} during battery backup. This MOSFET has very low input-to-output differential (dropout voltage) at the low current levels required for battery back up of CMOS RAM or other low power CMOS circuitry. The supply current in battery back up is typically $0.4 \mu\text{A}$.

The ADM8690/ADM8691/ADM8694/ADM8695 operates with battery voltages from 2.0 V to 4.25 V, and the ADM8692/ADM8693 operates with battery voltages from 2.0 V to 4.0 V. High value capacitors, either standard electrolytic or the farad size double layer capacitors, can also be used for short-term memory backup. A small charging current of typically 10 nA ($0.1 \mu\text{A}$ max) flows out of the V_{BATT} terminal. This current is useful for maintaining rechargeable batteries in a fully charged condition. This extends the life of the backup battery by compensating for its self discharge current. Also note that this current poses no problem when lithium batteries are used for backup since the maximum charging current ($0.1 \mu\text{A}$) is safe for even the smallest lithium cells.

If the battery switchover section is not used, V_{BATT} should be connected to GND and V_{OUT} should be connected to V_{CC} .

ADM8690–ADM8695

Power Fail $\overline{\text{RESET}}$ Output

$\overline{\text{RESET}}$ is an active low output that provides a $\overline{\text{RESET}}$ signal to the Microprocessor whenever V_{CC} is at an invalid level. When V_{CC} falls below the reset threshold, the $\overline{\text{RESET}}$ output is forced low. The nominal reset voltage threshold is 4.65 V (ADM8690/ADM8691/ADM8694/ADM8695) or 4.4 V (ADM8692/ADM8693).

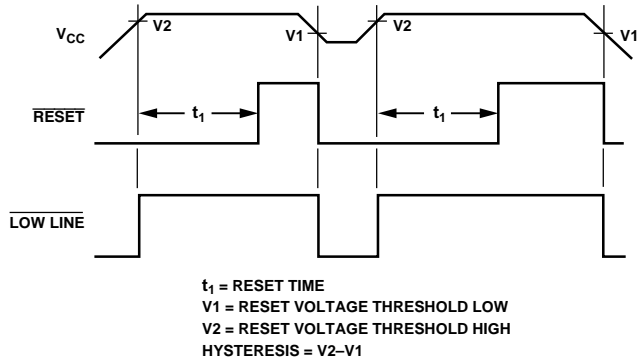


Figure 2. Power Fail Reset Timing

On power-up, $\overline{\text{RESET}}$ will remain low for 50 ms (200 ms for ADM8694 and ADM8695) after V_{CC} rises above the appropriate reset threshold. This allows time for the power supply and microprocessor to stabilize. On power-down, the $\overline{\text{RESET}}$ output remains low with V_{CC} as low as 1 V. This ensures that the microprocessor is held in a stable shutdown condition.

This $\overline{\text{RESET}}$ active time is adjustable on the ADM8691/ADM8693/ADM8695 by using an external oscillator or by connecting an external capacitor to the OSC IN pin. Refer to Table I and Figure 4.

The guaranteed minimum and maximum thresholds of the ADM8690/ADM8691/ADM8694/ADM8695 are 4.5 V and 4.73 V, while the guaranteed thresholds of the ADM8692/ADM8693 are 4.25 V and 4.48 V. The ADM8690/ADM8691/ADM8694/ADM8695 is, therefore, compatible with 5 V supplies with a +10%, -5% tolerance while the ADM8692/ADM8693 is compatible with $5\text{ V} \pm 10\%$ supplies. The reset threshold comparator has approximately 50 mV of hysteresis. The response time of the reset voltage comparator is less than 1 μs . If glitches are present on the V_{CC} line which could cause spurious reset pulses, then V_{CC} should be decoupled close to the device.

In addition to $\overline{\text{RESET}}$ the ADM8691/ADM8693/ADM8695 contain an active high $\overline{\text{RESET}}$ output. This is the complement of $\overline{\text{RESET}}$ and is intended for processors requiring an active high $\overline{\text{RESET}}$ signal.

Watchdog Timer $\overline{\text{RESET}}$

The watchdog timer circuit monitors the activity of the microprocessor in order to check that it is not stalled in an indefinite loop. An output line on the processor is used to toggle the Watchdog Input (WDI) line. If this line is not toggled within the selected timeout period, a $\overline{\text{RESET}}$ pulse is generated. The nominal watchdog timeout period is preset at 1.6 seconds on the ADM8690/ADM8692/ADM8694. The ADM8691/ADM8693/ADM8695 may be configured for either a fixed “short” 100 ms or a “long” 1.6 second timeout period or for an adjustable timeout period. If the “short” period is selected, some systems may be unable to service the watchdog timer immediately after a reset, so the ADM8691/ADM8693/ADM8695 automatically selects the “long” timeout period directly after a reset is issued. The watchdog timer is restarted at the end of reset, whether the reset was caused by lack of activity on WDI or by V_{CC} falling below the reset threshold.

The normal (short) timeout period becomes effective following the first transition of WDI after $\overline{\text{RESET}}$ has gone inactive. The watchdog timeout period restarts with each transition on the WDI pin. To ensure that the watchdog timer does not time out, either a high-to-low or low-to-high transition on the WDI pin must occur at or less than the minimum timeout period. If WDI remains permanently either high or low, reset pulses will be issued after each “long” (1.6 s) timeout period. The watchdog monitor can be deactivated by floating the Watchdog Input (WDI) or by connecting it to midsupply.

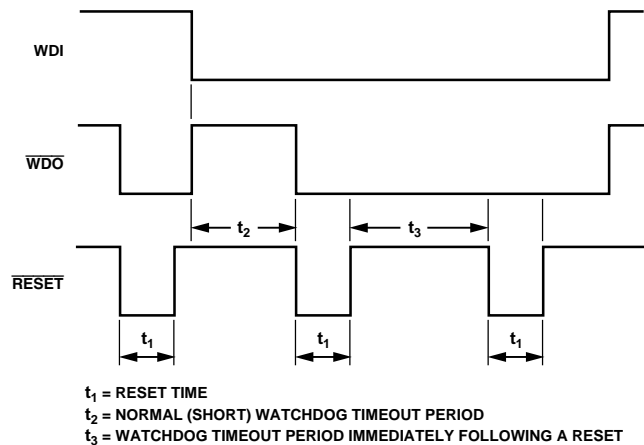


Figure 3. Watchdog Timeout Period and Reset Active Time

Table I. ADM8691, ADM8693, ADM8695 Reset Pulse Width and Watchdog Timeout Selections

| OSC SEL | OSC IN | Watchdog Timeout Period | | Reset Active Period | |
|------------------|----------------------|---|--|---|---|
| | | Normal | Immediately After Reset | ADM8691/ADM8693 | ADM8695 |
| Low | External Clock Input | 1024 CLKS | 4096 CLKS | 512 CLKS | 2048 CLKS |
| Low | External Capacitor | $400 \text{ ms} \times C/47 \text{ pF}$ | $1.6 \text{ s} \times C/47 \text{ pF}$ | $200 \text{ ms} \times C/47 \text{ pF}$ | $520 \text{ ms} \times C/47 \text{ pF}$ |
| Floating or High | Low | 100 ms | 1.6 s | 50 ms | 200 ms |
| Floating or High | Floating or High | 1.6 s | 1.6 s | 50 ms | 200 ms |

NOTE

With the OSC SEL pin low, OSC IN can be driven by an external clock signal, or an external capacitor can be connected between OSC IN and GND. The nominal internal oscillator frequency is 10.24 kHz. The nominal oscillator frequency with external capacitor is: $F_{\text{OSC}} \text{ (Hz)} = 184,000/C \text{ (pF)}$

On the ADM8690/ADM8692 the watchdog timeout period is fixed at 1.6 seconds and the reset pulse width is fixed at 50 ms. On the ADM8694 the watchdog timeout period is also 1.6 seconds but the reset pulse width is fixed at 200 ms. The ADM8691/ADM8693/ADM8695 allow these times to be adjusted as shown in Table I. Figure 4 shows the various oscillator configurations that can be used to adjust the reset pulse width and watchdog timeout period.

The internal oscillator is enabled when OSC SEL is high or floating. In this mode, OSC IN selects between the 1.6 second and 100 ms watchdog timeout periods. With OSC IN connected high or floating, the 1.6 second timeout period is selected; while with it connected low, the 100 ms timeout period is selected. In either case, immediately after a reset the timeout period is 1.6 seconds. This gives the microprocessor time to reinitialize the system. If OSC IN is low, then the 100 ms watchdog period becomes effective after the first transition of WDI. The software should be written such that the I/O port driving WDI is left in its power-up reset state until the initialization routines are completed and the microprocessor is able to toggle WDI at the minimum watchdog timeout period of 70 ms.

Watchdog Output (WDO)

The Watchdog Output $\overline{\text{WDO}}$ (ADM8691/ADM8693/ADM8695) provides a status output which goes low if the watchdog timer “times out” and remains low until set high by the next transition on the Watchdog Input. $\overline{\text{WDO}}$ is also set high when V_{CC} goes below the reset threshold.

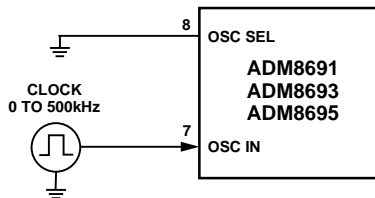


Figure 4a. External Clock Source

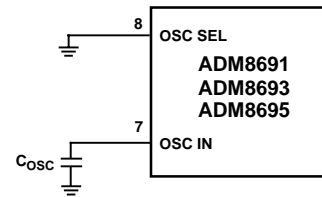


Figure 4b. External Capacitor

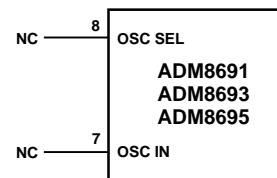


Figure 4c. Internal Oscillator (1.6 Second Watchdog)

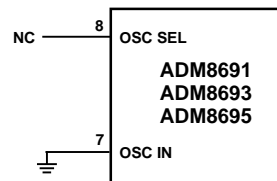


Figure 4d. Internal Oscillator (100 ms Watchdog)

ADM8690–ADM8695

CE Gating and RAM Write Protection (ADM8691/ADM8693/ADM8695)

The ADM8691/ADM8693/ADM8695 products include memory protection circuitry which ensures the integrity of data in memory by preventing write operations when V_{CC} is at an invalid level. There are two additional pins, \overline{CE}_{IN} and \overline{CE}_{OUT} , which may be used to control the Chip Enable or Write inputs of CMOS RAM. When V_{CC} is present, \overline{CE}_{OUT} is a buffered replica of \overline{CE}_{IN} , with a 3 ns propagation delay. When V_{CC} falls below the reset voltage threshold or V_{BATT} , an internal gate forces \overline{CE}_{OUT} high, independent of \overline{CE}_{IN} .

\overline{CE}_{OUT} typically drives the \overline{CE} , \overline{CS} or write input of battery backed up CMOS RAM. This ensures the integrity of the data in memory by preventing write operations when V_{CC} is at an invalid level. Similar protection of EEPROMs can be achieved by using the \overline{CE}_{OUT} to drive the store or write inputs.

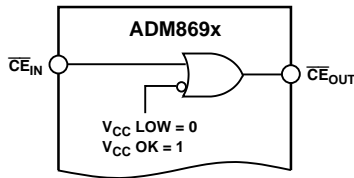


Figure 5. Chip Enable Gating

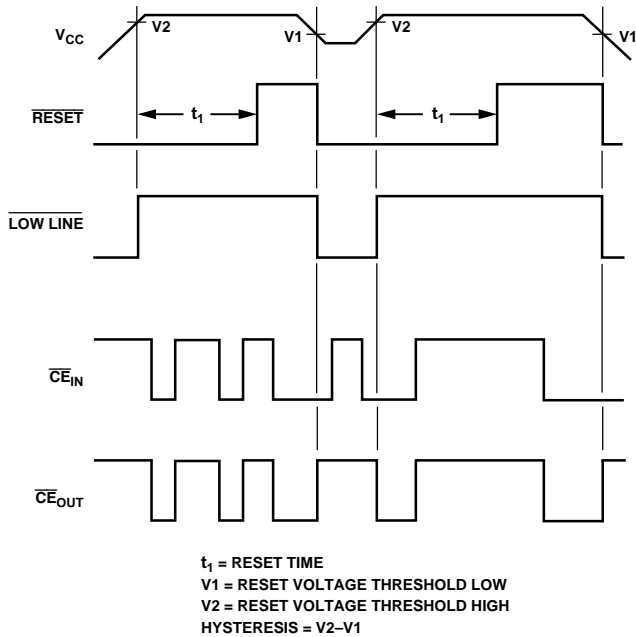


Figure 6. Chip Enable Timing

Power Fail Warning Comparator

An additional comparator is provided for early warning of failure in the microprocessor's power supply. The Power Fail Input

(PFI) is compared to an internal +1.3 V reference. The Power Fail Output (PFO) goes low when the voltage at PFI is less than 1.3 V. Typically PFI is driven by an external voltage divider that senses either the unregulated dc input to the system's 5 V regulator or the regulated 5 V output. The voltage divider ratio can be chosen such that the voltage at PFI falls below 1.3 V several milliseconds before the +5 V power supply falls below the reset threshold. \overline{PFO} is normally used to interrupt the microprocessor so that data can be stored in RAM and the shut down procedure executed before power is lost

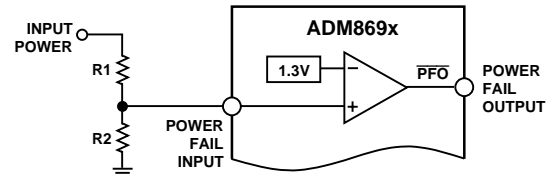


Figure 7. Power Fail Comparator

Table II. Input and Output Status In Battery Backup Mode

| Signal | Status |
|-----------------------|--|
| V_{OUT} | V_{OUT} is connected to V_{BATT} via an internal PMOS switch. |
| \overline{RESET} | Logic low. |
| RESET | Logic high. The open circuit output voltage is equal to V_{OUT} . |
| $\overline{LOW LINE}$ | Logic low. |
| BATT ON | Logic high. The open circuit voltage is equal to V_{OUT} . |
| WDI | WDI is ignored. It is internally disconnected from the internal pull-up resistor and does not source or sink current as long as its input voltage is between GND and V_{OUT} . The input voltage does not affect supply current. |
| \overline{WDO} | Logic high. The open circuit voltage is equal to V_{OUT} . |
| PFI | The Power Fail Comparator is turned off and has no effect on the Power Fail Output. |
| \overline{PFO} | Logic low. |
| \overline{CE}_{IN} | \overline{CE}_{IN} is ignored. It is internally disconnected from its internal pull-up and does not source or sink current as long as its input voltage is between GND and V_{OUT} . The input voltage does not affect supply current. |
| \overline{CE}_{OUT} | Logic high. The open circuit voltage is equal to V_{OUT} . |
| OSC IN | OSC IN is ignored. |
| OSC SEL | OSC SEL is ignored. |

Typical Performance Curves—ADM8690—ADM8695

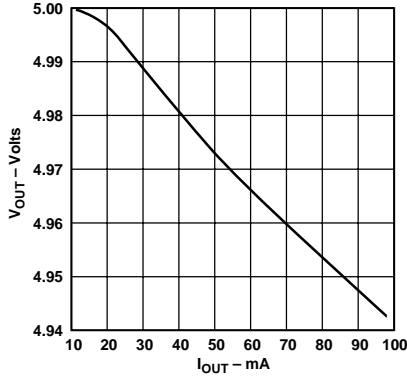


Figure 8. V_{OUT} vs. I_{OUT} Normal Operation

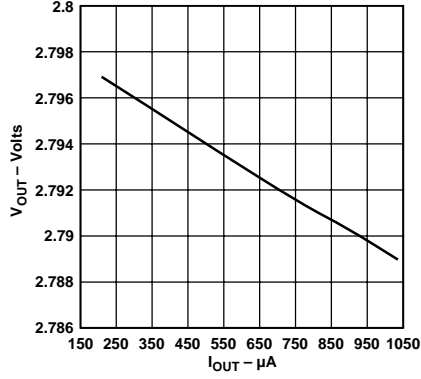


Figure 9. V_{OUT} vs. I_{OUT} Battery Backup

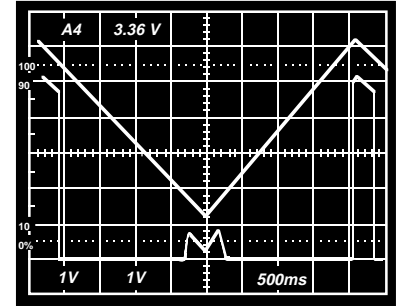


Figure 10. Reset Output Voltage vs Supply Voltage

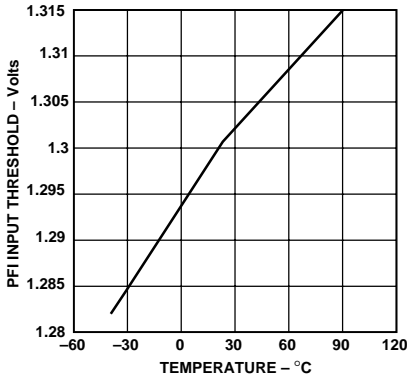


Figure 11. PFI Input Threshold vs. Temperature

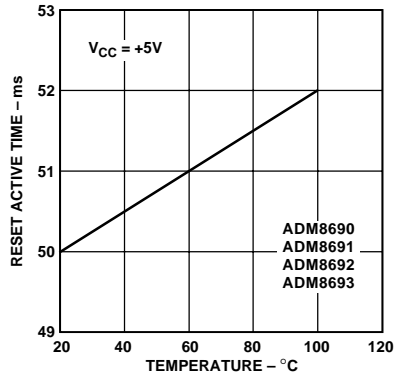


Figure 12. Reset Active Time vs. Temperature

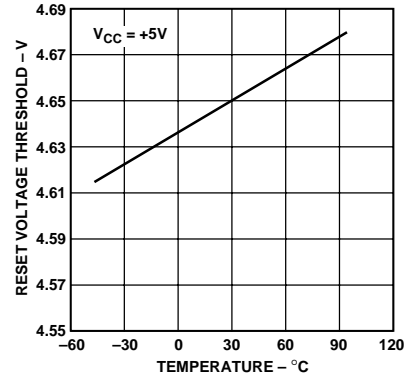


Figure 13. Reset Voltage Threshold vs. Temperature

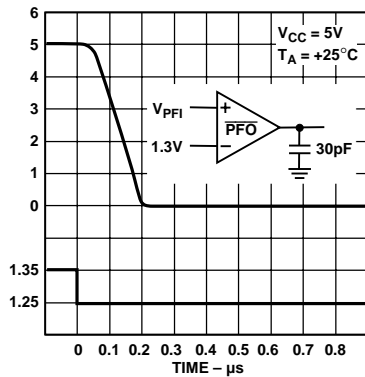


Figure 14. Power Fail Comparator Response Time

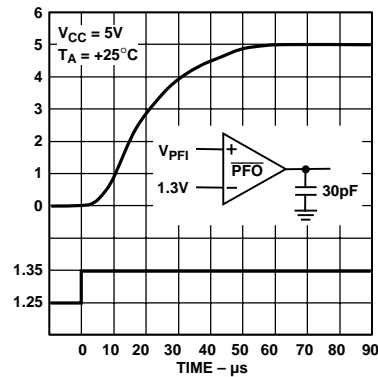


Figure 15. Power Fail Comparator Response Time

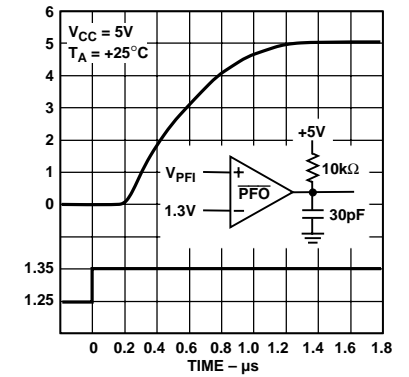


Figure 16. Power Fail Comparator Response Time with Pull-Up Resistor

ADM8690-ADM8695

+APPLICATION INFORMATION

Increasing the Drive Current

If the continuous output current requirements at V_{OUT} exceed 100 mA, or if a lower $V_{CC}-V_{OUT}$ voltage differential is desired, an external PNP pass transistor may be connected in parallel with the internal transistor. The BATT ON output (ADM8691/ADM8693/ADM8695) can directly drive the base of the external transistor.

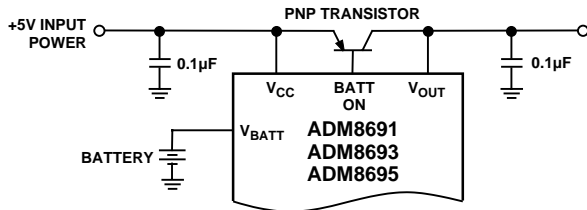


Figure 17. Increasing the Drive Current

Using a Rechargeable Battery for Backup

If a capacitor or a rechargeable battery is used for backup then the charging resistor should be connected to V_{OUT} since this eliminates the discharge path that would exist during power-down if the resistor is connected to V_{CC} .

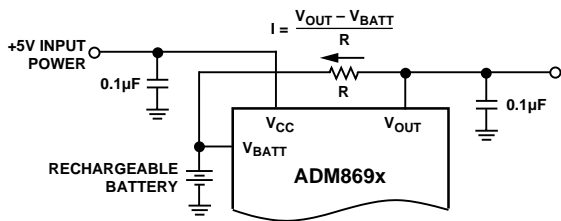


Figure 18. Rechargeable Battery

Adding Hysteresis to the Power Fail Comparator

For increased noise immunity, hysteresis may be added to the power fail comparator. Since the comparator circuit is non-inverting, hysteresis can be added simply by connecting a resistor between the \overline{PFO} output and the PFI input as shown in Figure 19. When \overline{PFO} is low, resistor R_3 sinks current from the summing junction at the PFI pin. When \overline{PFO} is high, the series combination of R_3 and R_4 source current into the PFI summing junction. This results in differing trip levels for the comparator.

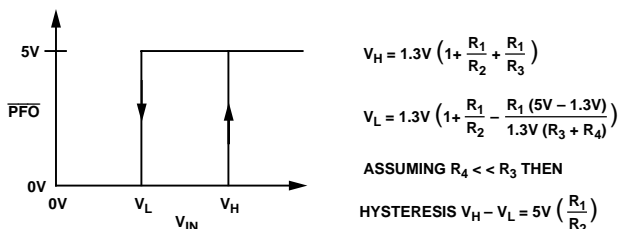
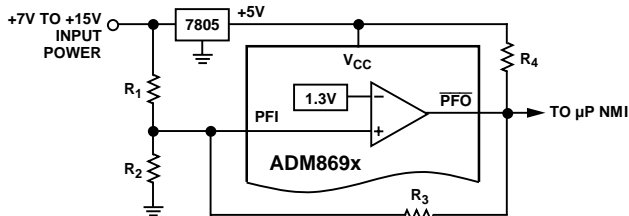


Figure 19. Adding Hysteresis to the Power Fail Comparator

Monitoring the Status of the Battery

The power fail comparator can be used to monitor the status of the backup battery instead of the power supply if desired. This is shown in Figure 20. The PFI input samples the battery voltage and generates an active low \overline{PFO} signal when the battery voltage drops below a chosen threshold. It may be necessary to apply a test load in order to determine the loaded battery voltage. This can be done under processor control using \overline{CE}_{OUT} . Since \overline{CE}_{OUT} is forced high during the battery backup mode, the test load will not be applied to the battery while it is in use, even if the microprocessor is not powered.

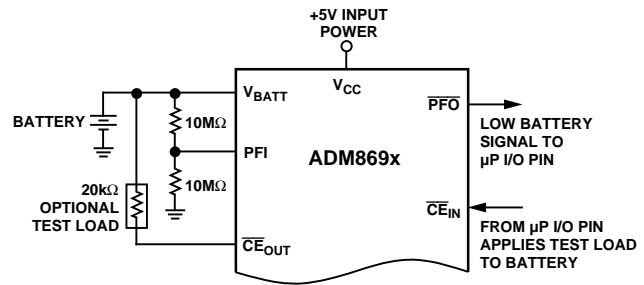


Figure 20. Monitoring the Battery Status

Alternate Watchdog Input Drive Circuits

The watchdog feature can be enabled and disabled under program control by driving WDI with a three-state buffer (Figure 21a). When three-stated, the WDI input will float, thereby disabling the watchdog timer.

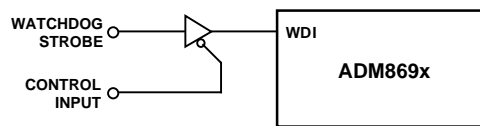


Figure 21a. Programming the Watchdog Input

This circuit is not entirely foolproof, and it is possible that a software fault could erroneously three-state the buffer. This would then prevent the ADM869x from detecting that the microprocessor is no longer operating correctly. In most cases a better method is to extend the watchdog period rather than disabling the watchdog. This may be done under program control using the circuit shown in Figure 21b. When the control input is high, the OSC SEL pin is low and the watchdog timeout is set by the external capacitor. A 0.01 μF capacitor sets a watchdog timeout delay of 100 seconds. When the control input is low, the OSC SEL pin is driven high, selecting the internal oscillator. The 100 ms or the 1.6 s period is chosen, depending on which diode in Figure 21b is used. With D1 inserted, the internal timeout is set at 100 ms; with D2 inserted the timeout is set at 1.6 s.

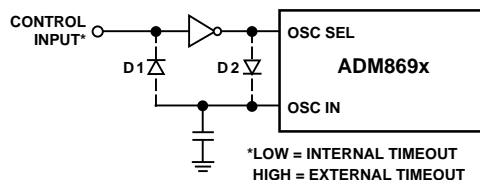


Figure 21b. Programming the Watchdog Input

TYPICAL APPLICATIONS

ADM8690, ADM8692 and ADM8694

Figure 22a shows the ADM8690/ADM8692/ADM8694 in a typical power monitoring, battery backup application. V_{OUT} powers the CMOS RAM. Under normal operating conditions with V_{CC} present, V_{OUT} is internally connected to V_{CC} . If a power failure occurs, V_{CC} will decay and V_{OUT} will be switched to V_{BATT} thereby maintaining power for the CMOS RAM. A \overline{RESET} pulse is also generated when V_{CC} falls below 4.65 V for the ADM8690/ADM8694 or 4.4 V for the ADM8692. \overline{RESET} will remain low for 50 ms (200 ms for ADM8694) after V_{CC} returns to 5 V.

The watchdog timer input (WDI) monitors an I/O line from the μP system. This line must be toggled once every 1.6 seconds to verify correct software execution. Failure to toggle the line indicates that the μP system is not correctly executing its program and may be tied up in an endless loop. If this happens, a reset pulse is generated to initialize the processor.

If the watchdog timer is not needed, the WDI input should be left floating.

The Power Fail Input, PFI, monitors the input power supply via a resistive divider network. The voltage on the PFI input is compared with a precision 1.3 V internal reference. If the input voltage drops below 1.3 V, a power fail output (PFO) signal is generated. This warns of an impending power failure and may be used to interrupt the processor so that the system may be shut down in an orderly fashion. The resistors in the sensing network are ratioed to give the desired power fail threshold voltage V_T .

$$V_T = (1.3 R1/R2) + 1.3 V$$

$$R1/R2 = (V_T/1.3) - 1$$

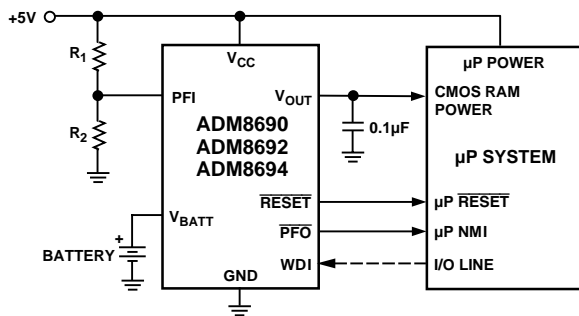


Figure 22a. ADM8690/ADM8692/ADM8694 Typical Application Circuit A

Figure 22b shows a similar application but in this case the PFI input monitors the unregulated input to the 7805 voltage regulator. This gives an earlier warning of an impending power failure. It is useful with processors operating at low speeds or where there are a significant number of housekeeping tasks to be completed before the power is lost.

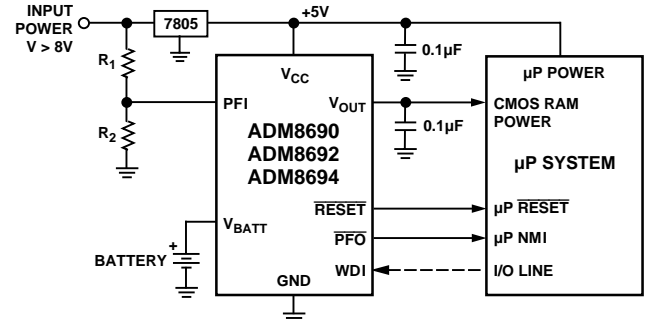


Figure 22b. ADM8690/ADM8692/ADM8694 Typical Application Circuit B

ADM8691, ADM8693 and ADM8695

A typical connection for the ADM8691/ADM8693/ADM8695 is shown in Figure 23. CMOS RAM is powered from V_{OUT} . When 5 V power is present this is routed to V_{OUT} . If V_{CC} fails then V_{BATT} is routed to V_{OUT} . V_{OUT} can supply up to 100 mA from V_{CC} , but if more current is required, an external PNP transistor can be added. When V_{CC} is higher than V_{BATT} , the BATT ON output goes low, providing up to 25 mA of base drive for the external transistor. A 0.1 μF capacitor is connected to V_{OUT} to supply the transient currents for CMOS RAM. When V_{CC} is lower than V_{BATT} , an internal 20 Ω MOSFET connects the backup battery to V_{OUT} .

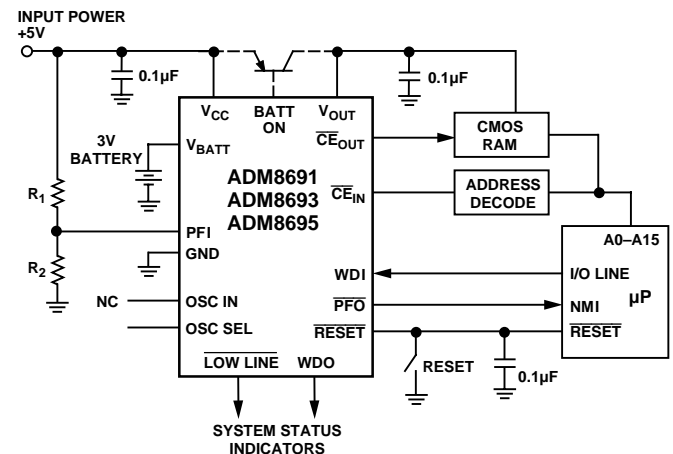


Figure 23. ADM8691/ADM8693/ADM8695 Typical Application

ADM8690–ADM8695

RESET Output

The internal voltage detector monitors V_{CC} and generates a $\overline{\text{RESET}}$ output to hold the microprocessor's Reset line low when V_{CC} is below 4.65 V (4.4 V for ADM8693). An internal timer holds $\overline{\text{RESET}}$ low for 50 ms (200 ms for the ADM8695) after V_{CC} rises above 4.65 V (4.4 V for ADM8693). This prevents repeated toggling of $\overline{\text{RESET}}$ even if the 5 V power drops out and recovers with each power line cycle.

The crystal oscillator normally used to generate the clock for microprocessors can take several milliseconds to stabilize. Since most microprocessors need several clock cycles to reset, $\overline{\text{RESET}}$ must be held low until the microprocessor clock oscillator has started. The power-up $\overline{\text{RESET}}$ pulse lasts 50 ms (200 ms for the ADM8695) to allow for this oscillator start-up time. If a different reset pulse width is required, then a capacitor should be connected to OSC IN or an external clock may be used. Please refer to Table I and Figure 4. The manual reset switch and the 0.1 μF capacitor connected to the reset line can be omitted if a manual reset is not needed. An inverted, active high, $\overline{\text{RESET}}$ output is also available.

Power Fail Detector

The +5 V V_{CC} power line is monitored via a resistive potential divider connected to the Power Fail Input (PFI). When the voltage at PFI falls below 1.3 V, the Power Fail Output ($\overline{\text{PFO}}$) drives the processor's NMI input low. If for example a Power Fail threshold of 4.8 V is set with resistors R_1 and R_2 , the microprocessor will have the time when V_{CC} falls from 4.8 V to 4.65 V to save data into RAM. An earlier power fail warning can be generated if the unregulated dc input to the 5 V regulator is available for monitoring. This will allow more time for microprocessor housekeeping tasks to be completed before power is lost.

RAM Write Protection

The ADM8691/ADM8693/ADM8695 $\overline{\text{CE}}_{\text{OUT}}$ line drives the Chip Select inputs of the CMOS RAM. $\overline{\text{CE}}_{\text{OUT}}$ follows $\overline{\text{CE}}_{\text{IN}}$ as long as V_{CC} is above the 4.65 V (4.4 V for ADM8693) reset threshold.

If V_{CC} falls below the reset threshold, $\overline{\text{CE}}_{\text{OUT}}$ goes high, independent of the logic level at $\overline{\text{CE}}_{\text{IN}}$. This prevents the microprocessor from writing erroneous data into RAM during power-up, power-down, brownouts and momentary power interruptions.

Watchdog Timer

The microprocessor drives the Watchdog Input (WDI) with an I/O line. When OSC IN and OSC SEL are unconnected, the microprocessor must toggle the WDI pin once every 1.6 seconds to verify proper software execution. If a hardware or software failure occurs such that WDI is not toggled, the ADM8691/ADM8693 will issue a 50 ms (200 ms for ADM8695) $\overline{\text{RESET}}$ pulse after 1.6 seconds. This typically restarts the microprocessor's power-up routine. A new $\overline{\text{RESET}}$ pulse is issued every 1.6 seconds until WDI is again strobed. If a different watchdog timeout period is required, then a capacitor should be connected to OSC IN or an external clock may be used. Please refer to Table I and Figure 4.

The Watchdog Output ($\overline{\text{WDO}}$) goes low if the watchdog timer is not serviced within its timeout period. Once $\overline{\text{WDO}}$ goes low, it remains low until a transition occurs at WDI. The watchdog timer feature can be disabled by leaving WDI unconnected.

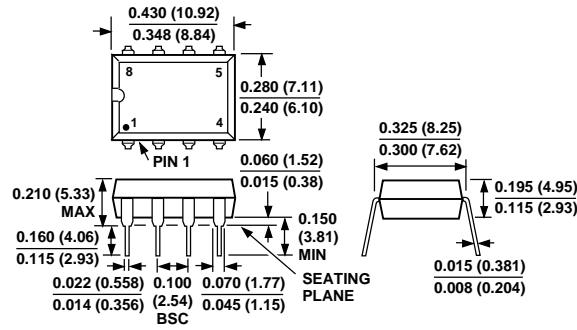
The $\overline{\text{RESET}}$ output has an internal 3 μA pull-up, and can either connect to an open collector reset bus or directly drive a CMOS gate without an external pull-up resistor.

OUTLINE DIMENSIONS

Dimensions shown in inches and (mm).

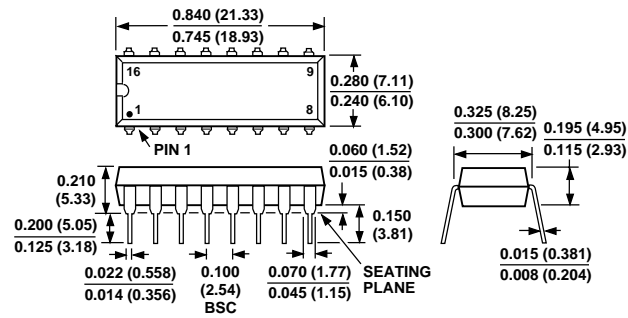
8-Pin Plastic DIP

(N-8)

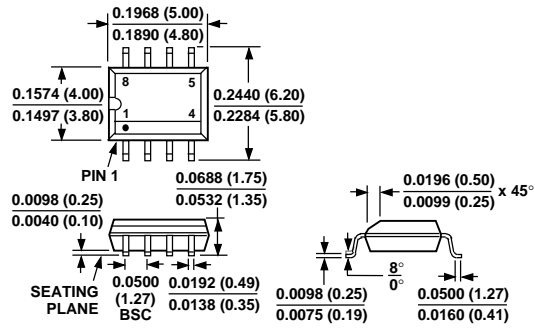


16-Lead Plastic DIP

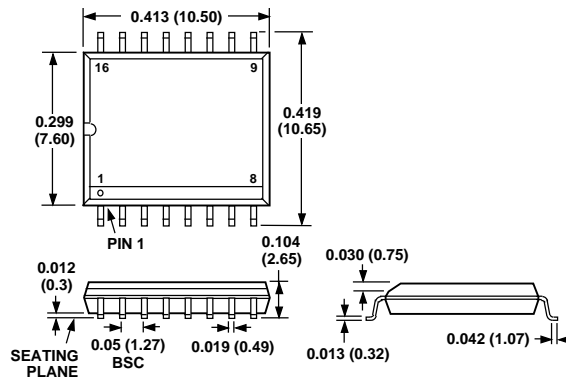
(N-16)



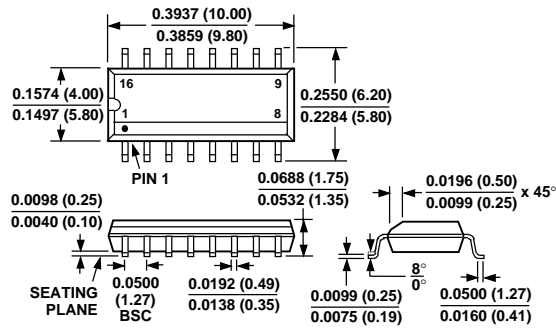
**8-Lead Small Outline
(SO-8)**



**16-Lead Small Outline (Wide Body)
(R-16)**



**16-Lead Small Outline (Narrow Body)
(R-16A)**



16-Lead Thin Shrink Small Outline
(RU-16)

